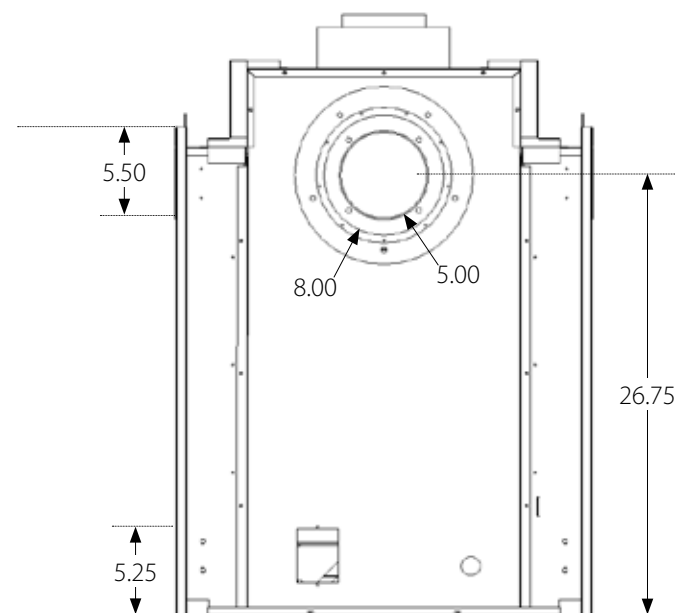
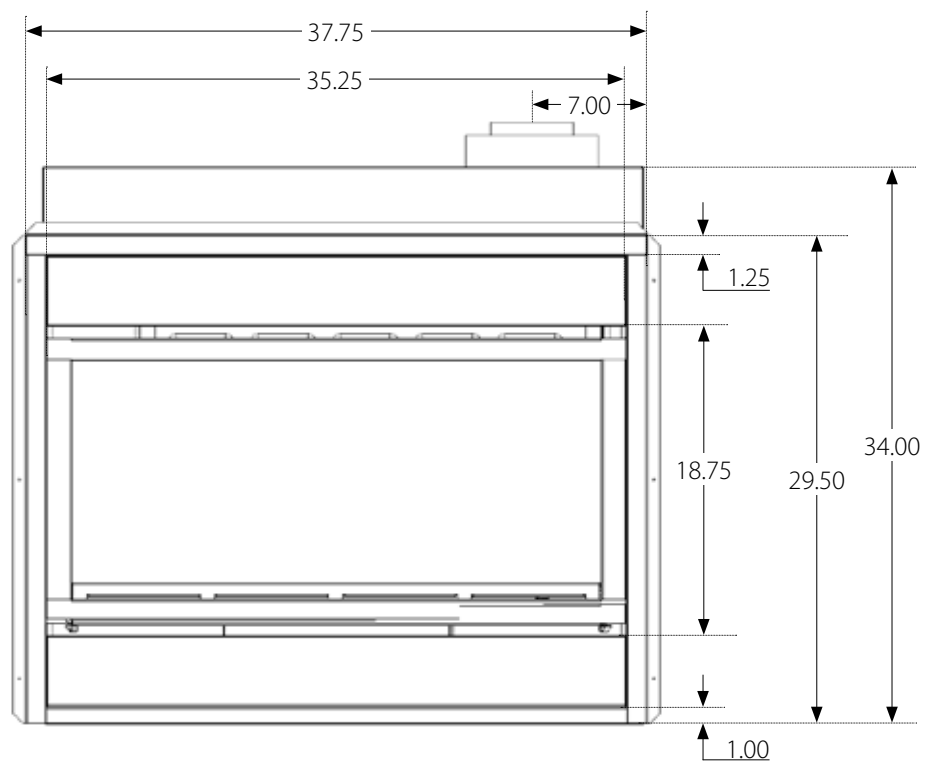
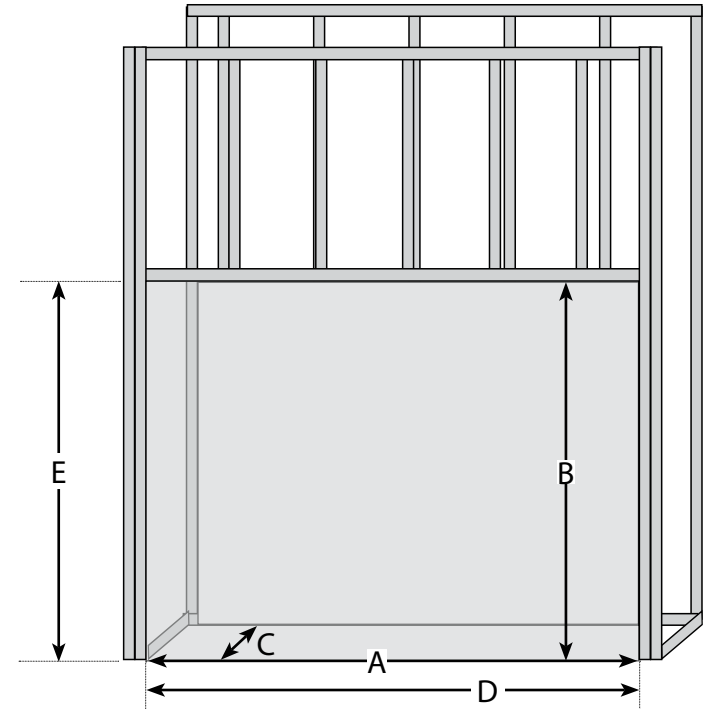
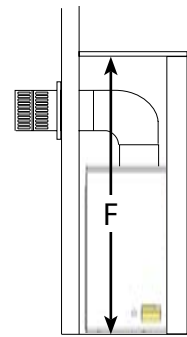
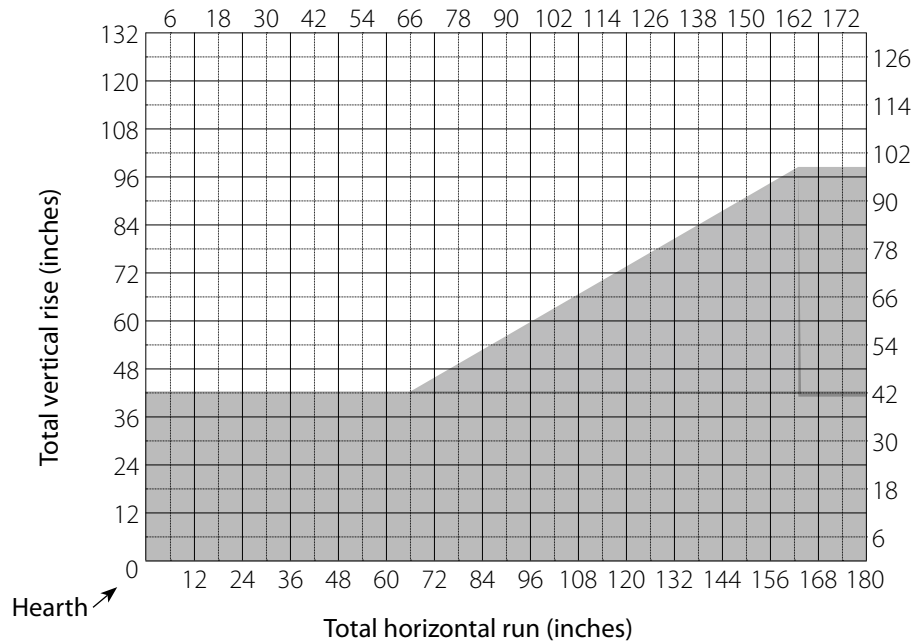


all dimensions in inches, not to scale



- May be vented through the top (default) or side of the cabinet.
- The minimum vent run is via the side of the cabinet for no more than 12 inches.
- Vent rise and run must intersect in a white graph square, below. (Top vent graph shown, see Installation Manual for the side vent graph.)
- A power venting option is available for "off-the-chart" applications.

Graph for Top Venting ONLY



A	Rough Opening Width	41"
B	Rough Opening Height	40"
C	Rough Opening Depth	23 ³ / ₄ "
D	Non-combustible Zone Width	37 ³ / ₄ "
E	Non-combustible Zone Height	40"
F	Minimum Height to Chase Ceiling	44"

all dimensions in inches, -0.0