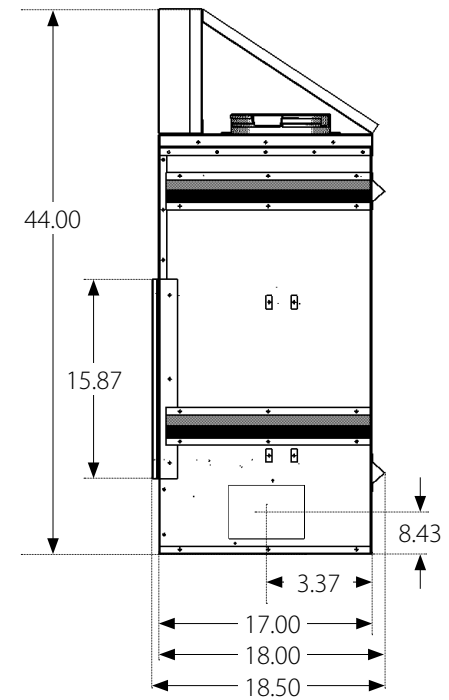
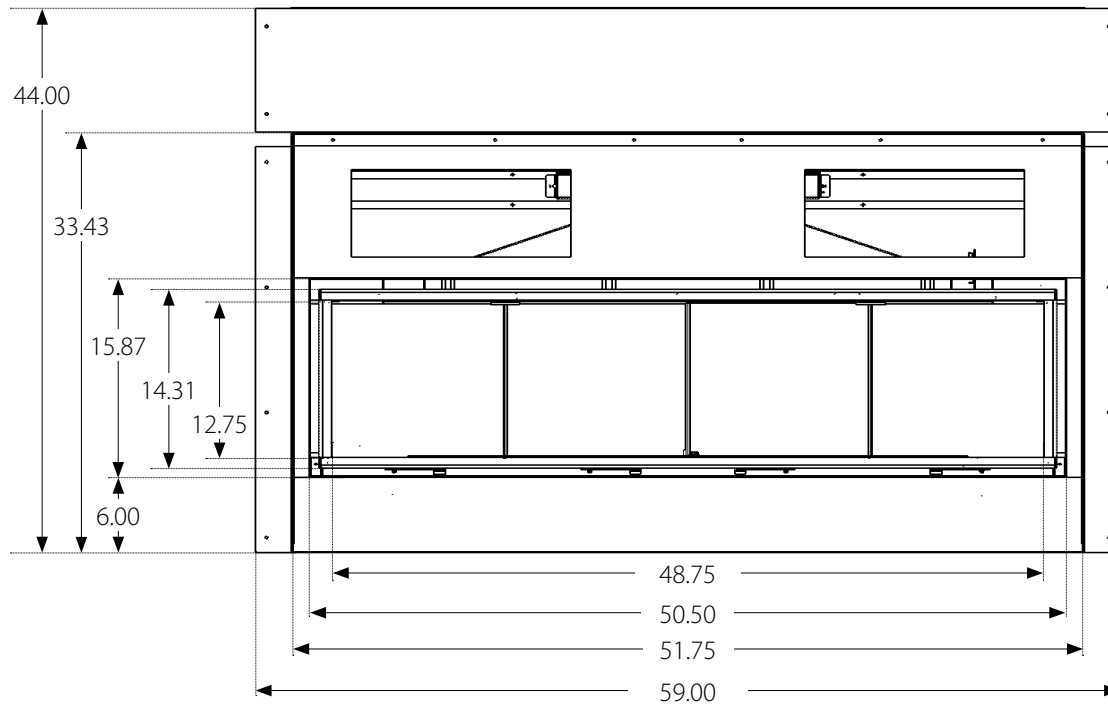
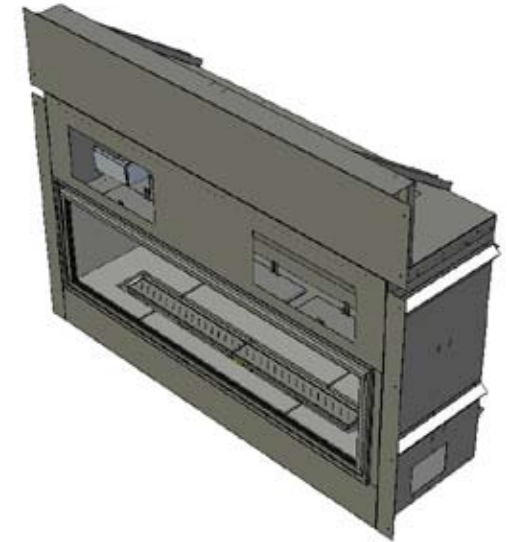
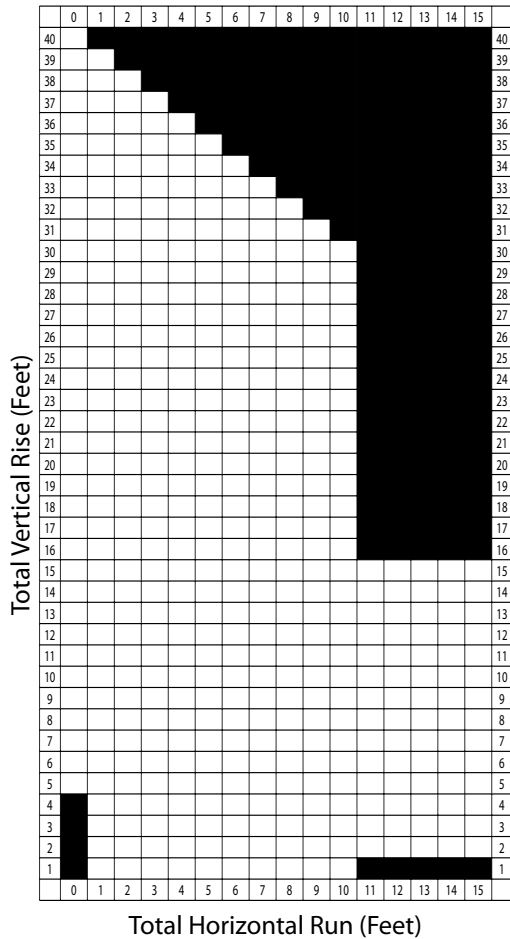


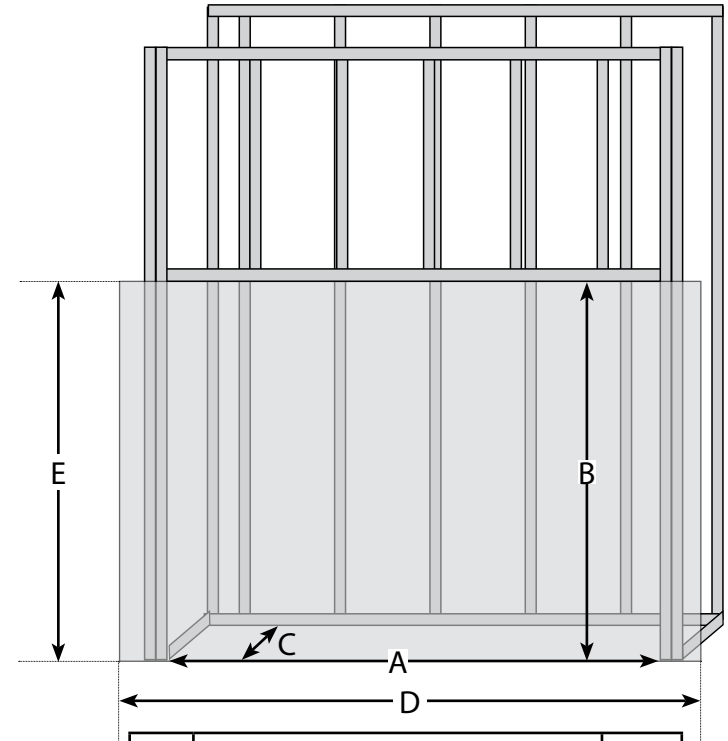
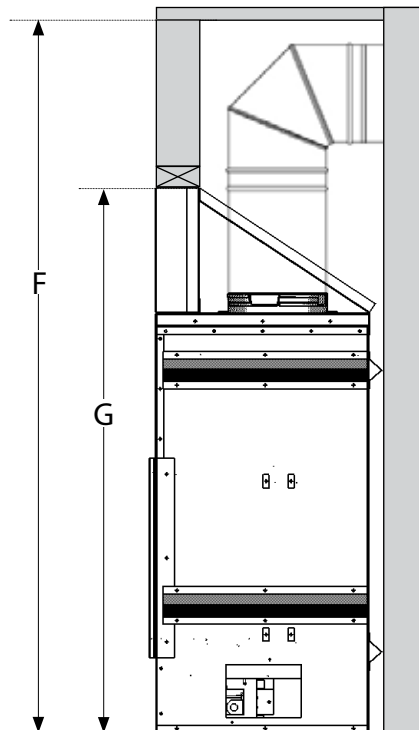
all dimensions in inches, ± 0.30



- Vent rise and run must intersect in a white graph square.
- First vent section must be 12" vertical.
- Minimum venting is twelve vertical inches to elbow and wall termination.
- Venting measurements are taken from the center of the vent collar.



□ = Configuration is ALLOWED ■ = Configuration is PROHIBITED



A	Rough Opening Width	57"
B	Rough Opening Height	44"
C	Rough Opening Depth	18½"
D	Non-combustible Zone Width	65¾"
E	Non-combustible Zone Height	44"
F	Minimum Height to Chase Ceiling	57½"
G	Minimum Height to Room Ceiling	44"

all dimensions in inches, -0.0