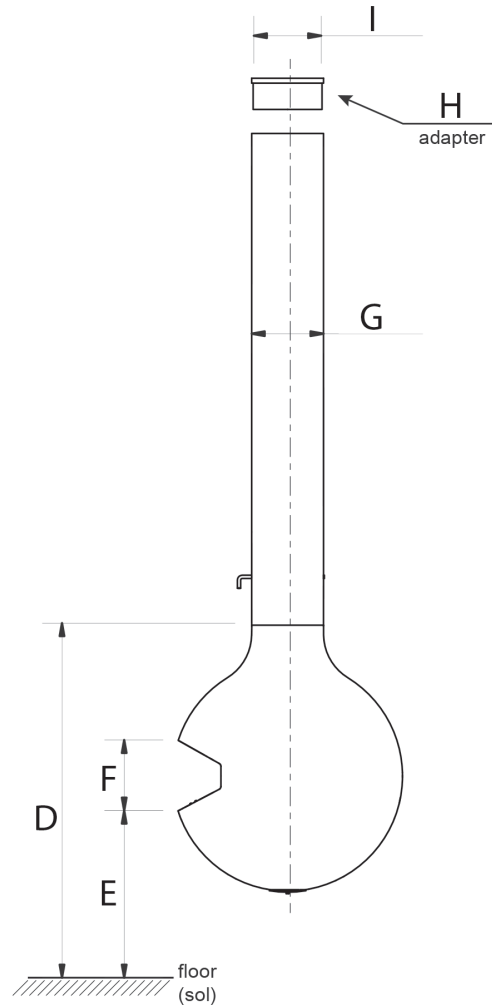
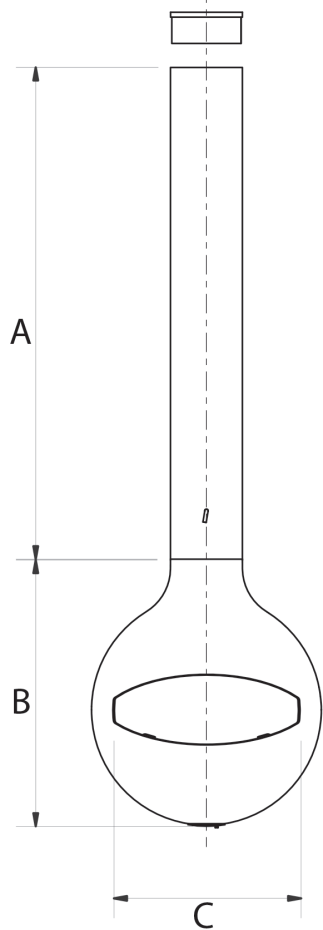
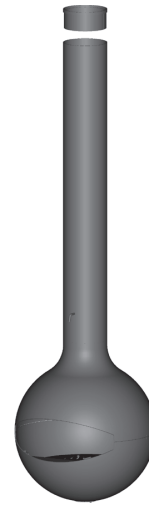
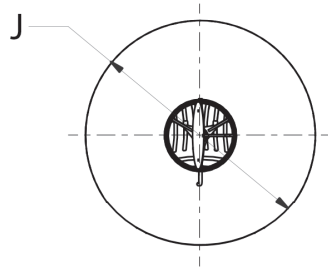




BATHYSCAFOCUS - Indoor

Note : imperial measurements are rounded from metric



	A	B	C	D	E	F	G	H	I	J
INCH	65 9/16"	31 7/8"	22 7/16"	42 1/2"	20"	8 7/16"	Ø 8 5/8"	8"	Ø 8 1/16"	Ø 27 9/16"
[MILLIMETER]	[1665]	[810]	[570]	[1080]	[500]	[215]	[Ø 219]	[203]	[Ø 205]	[Ø 700]