



Installation, Operation, & Owner's Manual

H SERIES

Vent · Free · Gas · Fireplaces

HVF-42
HVF-60
HVF-72

Product
Information
Page



WARNING: If the information in these instructions is not followed exactly, a fire or explosion may result causing property damage, personal injury or loss of life.

-- Do not store or use gasoline or other flammable vapors and liquids in the vicinity of this or any other appliance.

WHAT TO DO IF YOU SMELL GAS

- Do not try to light any appliance.
- Do not touch any electrical switch; do not use any phone in your building.
- Immediately call your gas supplier from a neighbor's phone. Follow the gas supplier's instructions.
- If you cannot reach your gas supplier, call the fire department.

-- Installation and service must be performed by a qualified installer, service agency or the gas supplier.

This is an unvented gas-fired heater. It uses air (oxygen) from the room in which it is installed. Provisions for adequate combustion and ventilating air must be provided. Refer to page 6.

This appliance may be installed in an aftermarket, permanently located, manufactured (mobile) home, where not prohibited by local codes.

This appliance is only for use with the type of gas indicated on the rating plate. This appliance is not convertible for use with other gases.

INSTALLER: Leave this manual with the appliance.
CONSUMER: Retain this manual for future reference.

Tested &
Listed By



Portland
Oregon USA

OMNI-Test Laboratories, Inc.

Report #0284GF007S

December 2025

TABLE OF CONTENTS

Important Safety Information	4
Room Volume for Vent Free	7
Specifications and Dimensions	9
Pre-installation Planning	11
Rough Installation	16
Electric Installation	17
Gas Installation	19
Trim and Finish	20
Operating the Fireplace	22
Maintenance	26
Parts List	27
Warranty	28
Troubleshooting	Appendix One
Connecting a Home Automation System	Appendix Two
Installing The Air Shutter Kit	Appendix Three
Optional Fireplace Screen	Appendix Four
Installing the Heat Deflector	Appendix Five
Optional Concrete Style Glass Panels	Appendix Six

IMPORTANT SAFETY INFORMATION

Read these instructions carefully before installing or trying to operate this Vent Free gas heater.

PRODUCT INSTALLATION RECORD

Installer: Please complete this form.

Customer: Please retain this information.

Purchased From	
Date of Purchase	
Installed By	
Date of Installation	
Fireplace Serial Number	
Fuel Type	NATURAL GAS

WARNING

- **Any change to this heater or its controls can be dangerous.**
- **Improper installation or use of the heater can cause serious injury or death from fire, burns, explosion or carbon monoxide poisoning.**
- **Do not allow fans to blow directly into the fireplace. Avoid any drafts that alter burner flame patterns.**
- **Do not use a blower insert, heat exchanger insert or other accessory, not approved for use with this heater.**

1. Fuel type is Natural Gas (NG) only
2. Due to high temperatures, the heater should be located out of traffic and away from furniture and draperies.
3. Children and adults should be alerted to the hazard of high surface temperature and should stay away to avoid burns or clothing ignition.
4. Young children should be carefully supervised when they are in the same room with the heater.
5. Do not place clothing or other flammable material on or near the heater.

IMPORTANT SAFETY INFORMATION

Read these instructions carefully before installing or trying to operate this Vent Free gas heater.

6. Any safety screen or guard removed for servicing an appliance, must be replaced prior to operating the heater.
7. Installation and repair should be done by a qualified service person. The heater should be inspected before use and at least annually by a professional service person. More frequent cleaning may be required due to extensive lint from carpeting, bedding material, etc. It is imperative that control compartments, burners and circulating air passageways of the heater be kept clean.
8. To prevent malfunction and/or sooting, an unvented gas heater should be cleaned before use and at least annually by a professional service person.
9. **CARBON MONOXIDE POISONING:** Early signs of carbon monoxide poisoning are similar to the flu with headaches, dizziness and/or nausea. If you have these signs, obtain fresh air immediately. Have the heater serviced as it may not be operating properly.
10. The installation must conform with local codes or, in the absence of local codes, with the **National Fuel Gas Code, ANSI Z223.1/NFPA54.**
11. This unit was tested and listed to ANSI Z21.11.2-2016 "Gas-fired Room Heaters, Volume II, Unvented Room Heaters" by OMNI-Test Laboratories. This unit is intended for indoor use only.
12. This appliance is approved for installation in the Commonwealth of Massachusetts. The Board of State Examiners of Plumbers and Gas Fitters has issued approval number MA_Approval_Number for this appliance.
13. Do not install this heater in a bathroom or bedroom.
14. Correct installation of the fire media, proper location of the heater, and annual cleaning are necessary to avoid potential problems with sooting. Sooting, resulting from improper installation or operation, can settle on surfaces outside the fireplace. See media placement instructions for proper installation.
15. **WARNING:** Avoid any drafts that alter burner flame patterns. Do not allow fans to blow directly into fireplace. Do not place a blower inside burn area of firebox. Ceiling fans may create drafts that alter burner flame patterns. Sooting and improper burning will occur.
16. **Caution:** Candles, incense, oil lamps, etc. produce combustion by-products including soot. Vent Free heaters will not filter or clean soot produced by these types of products. In addition, the smoke and/or aromatics (scents) may be reburned in the vent free heater which can produce odors. It is recommended to minimize the use of candles, incense, etc. while the vent free heater is in operation.
17. Keep room area clear and free from combustible materials, gasoline and other flammable vapors and liquids.

IMPORTANT SAFETY INFORMATION

Read these instructions carefully before installing or trying to operate this Vent Free gas heater.

18. This appliance is intended for supplemental heating.
19. Unvented gas heaters emit moisture into the living area. In most homes of average construction, this does not pose a problem. In houses of extremely tight construction, additional mechanical ventilation is recommended.
20. During manufacturing, fabricating and shipping, various components of this heater are treated with certain oils, films or bonding agents. These chemicals are not harmful but may produce annoying smoke and smells as they are burned off during the initial operation of the heater; possibly causing headaches or eye or lung irritation. This is a normal and temporary occurrence. The initial break-in operation should last two to three hours with the burner at the highest setting. Provide maximum ventilation by opening windows or doors to allow odors to dissipate. Any odors remaining after this initial break-in period will be slight and will disappear with continued use.
21. Input ratings are shown in BTU per hour and are for elevations up to 2,000 feet. If your installation is at an elevation greater than these, consult with the local authority having jurisdiction for gas product installations to determine their specific requirements for high altitude installations.
22. The appliance and its appliance main gas valve must be disconnected from the gas supply piping system during any pressure testing of that system at test pressures in excess of 1/2 psi (3.5 kPa). The appliance must be isolated from the gas supply piping system by closing its equipment shutoff valve during any pressure testing of the gas supply piping system at test pressures equal to or less than 1/2 psi (3.5 kPa).
23. Do not use this room heater if any part has been under water. Immediately call a qualified service technician to inspect the heater and to replace any part of the control system and any gas control which has been under water.
24. Never burn solid fuels in a fireplace where an unvented heater is installed.
- 25. WARNING:** Any change to this heater or its controls can be dangerous.
26. When this heater is installed directly on carpeting, tile or other combustible material, other than wood flooring, the heater shall be installed on a metal or wood panel extending the full width and depth of the heater.

ROOM VOLUME for VENT FREE

CODES

Adhere to all local codes or, in their absence, the latest edition of THE NATIONAL FUEL GAS CODE ANSI Z223.1 or NFPA54 which can be obtained from...

American National Standards Institute, Inc.
1430 Broadway
New York, NY 10018
or
National Fire Protection Association, Inc.
Batterymarch Park
Quincy, MA 02269

ADEQUATE COMBUSTION AND VENTILATION AIR

This heater shall not be installed in a confined space or unusually tight construction unless provisions are provided for adequate combustion and ventilation air. The pilot assembly is equipped with an oxygen depletion sensor (ODS) which measures the oxygen in the room.

The National Fuel Gas Code, (ANSI Z223.1/NFPA 54), defines a *confined* space as a space whose volume is less than 50 cubic feet per 1,000 BTU per hour (4.8 m³ per kw) of the aggregate input rating of all appliances installed in that space. An *unconfined* space is defined as a space whose volume is not less than 50 cubic feet per 1,000 BTU per hour (4.8 m³ per kw) of the aggregate input rating of all appliances installed in that space. Rooms communicating directly with the space in which the appliances are installed, through openings not furnished with doors, are considered a part of the unconfined space.

UNUSUALLY TIGHT CONSTRUCTION IS DEFINED AS CONSTRUCTION WHERE...

- a) walls and ceilings exposed to the outside atmosphere have a continuous water vapor retarder with a rating of 1 perm (6 x 10⁻¹¹ kg per pa-sec-m²) or less with openings gasketed or sealed;
- b) weather stripping has been added on operable windows and doors, and
- c) caulking or sealants are applied to areas such as joints around window and door frames, between sole plates and floors, between wall-ceiling joints, between wall panels, at penetrations for plumbing, electrical, and gas lines, and at other openings.

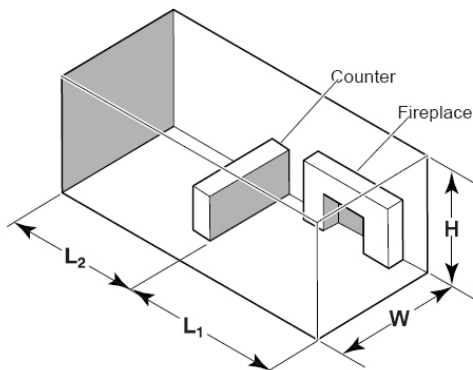
WARNING

This appliance is equipped for natural gas. Field conversion is not permitted.

WARNING

This heater shall not be installed in a room or space unless the required volume of indoor combustion air is provided by the method described in the National Fuel Gas Code, ANSI Z223.1/NFPA 54, the International Fuel Gas Code, or applicable local codes.

ROOM VOLUME for VENT FREE



The following formula can be used to determine the maximum heater rating (per the definition of unconfined space) that is allowed in your space:

$$\text{Maximum BTU/Hr.} = \frac{(L_1 + L_2)\text{ft.} \times (W)\text{ft.} \times (H)\text{ft.}}{50} \times 1000$$

Example A: Consider two connecting rooms with an open area between, with the following dimensions: $L_1 = 15\frac{1}{2}$ ft., $L_2 = 12$ ft., $W = 12$ ft., $H = 8$ ft.

$$\frac{(15\frac{1}{2} + 12)\text{ft.} \times (12)\text{ft.} \times (8)\text{ft.}}{50} \times 1000 = 52,800 \text{ BTU/Hr.}$$

Example B: If there were a door between the two rooms the calculation would be based only on the room with the heater.

$$\frac{(15\frac{1}{2})\text{ft.} \times (12)\text{ft.} \times (8)\text{ft.}}{50} \times 1000 = 29,760 \text{ BTU/Hr.}$$

Will my space support a H Series Vent Free Gas Fireplace?

Maximum BTU/hr. my space will support (use formula above) a) _____

BTU/hr. of European Home H Series Vent Free Gas Fireplace b) 37,500

If the answer to a) is **greater** than b) then your space **will** support the installation of the H Series Vent Free Gas Fireplace; if a) is **less** than b) then your space **will not** support an H Series Vent Free Gas Fireplace.

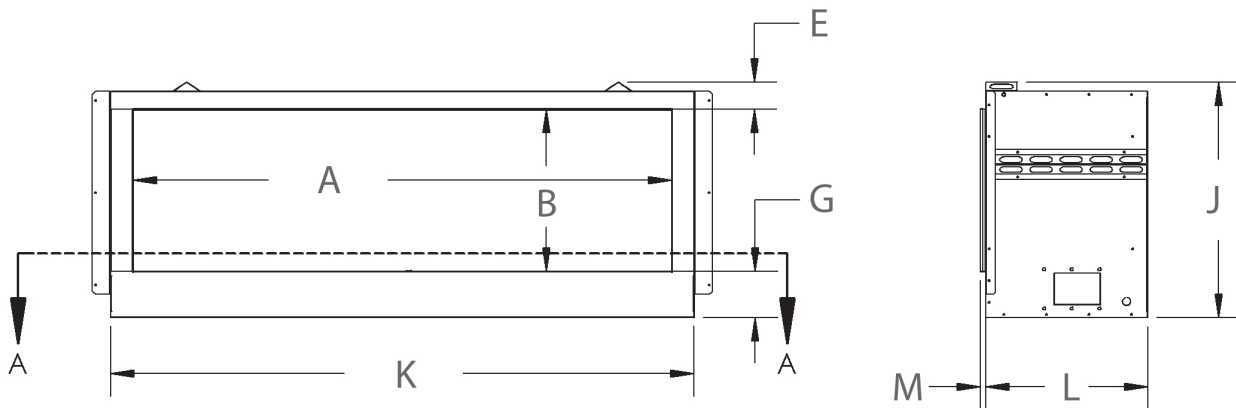
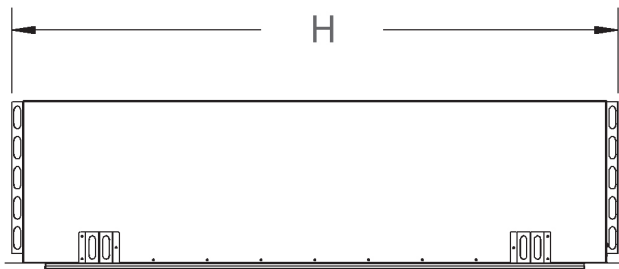
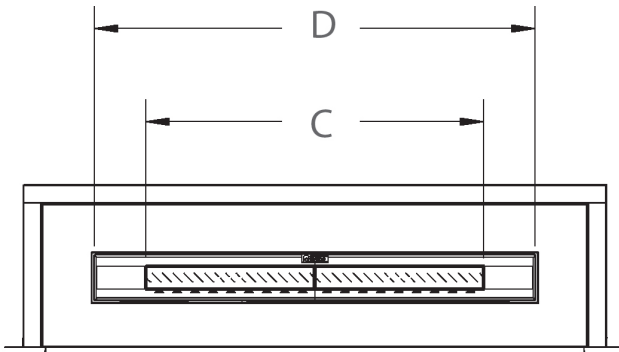
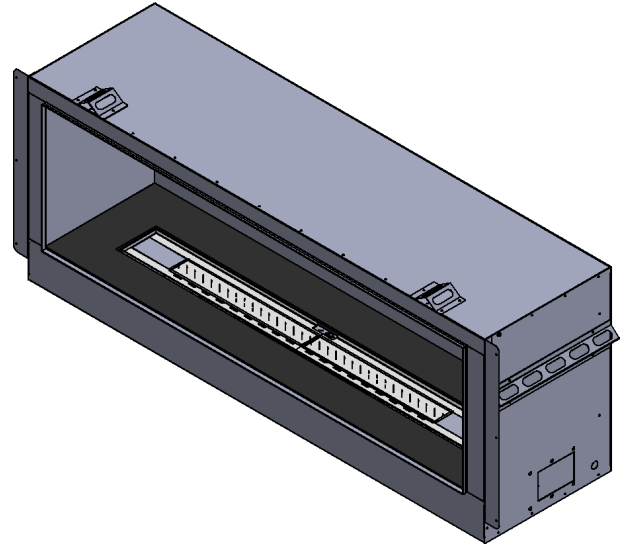
Note

Bringing in Outside (or "Make-up") Air

Some building code jurisdictions require that outside or "make-up" air be provided when installing a fireplace of this type. This requirement may be satisfied by the proper installation of an 'outside air source' which is not provided. The suitability of any particular air source ducting system must be made by the installer. Connection to an outside air source is made via the *optional* Air Shutter Kit. See Appendix Three for the Air Shutter Kit installation instructions.

SPECIFICATIONS and DIMENSIONS

Model	Model Weight	Shipping Weight
H Series 42" Single-Sided	149 lbs.	169 lbs.
H Series 60" Single-Sided	195 lbs.	215 lbs.
H Series 72" Single-Sided	230 lbs.	250 lbs.



MODEL	A	B	C	D	E	G	H	J	K	L	M
HVF-42	42" [1067]	18" [457]	37 3/4" [959]	37 3/4" [959]	3" [76]	5 1/8" [130]	51 1/8" [1299]	26 1/8" [664]	47" [1194]	18 1/2" [470]	1/2" [13]
HVF-60	60" [1524]	18" [457]	37 3/4" [959]	49 1/8" [1248]	3" [76]	5 1/8" [130]	69 1/8" [1756]	26 1/8" [664]	65" [1651]	18 1/2" [470]	1/2" [13]
HVF-72	72" [1830]	18" [457]	37 3/4" [959]	59 1/4" [1505]	3" [76]	5 1/8" [130]	79 5/8" [2023]	26 1/8" [664]	77" [1956]	18 1/2" [470]	1/2" [13]

SPECIFICATIONS and DIMENSIONS

CERTIFICATION

OMNI-Test Laboratories, Inc. has certified that the H Series Vent Free Gas Fireplace meets the ANSI Z21.11.2-2016 standard "Gas-fired Room Heaters, Volume II, Unvented Room Heaters".

These appliances are approved for installation in the Commonwealth of Massachusetts. The Board of State Examiners of Plumbers and Gas Fitters has issued approval number G3-0616-532 for these appliances.

Click link

https://licensing.reg.state.ma.us/pubLic/pl_products/pb_search.asp?type=G&manufacturer=Europa&stype=wild&model=HVF&product=&description=&psize=50

or scan QR code for details:



H Series VENT FREE GAS FIREPLACE			
Model:	HVF-42 <input type="checkbox"/>	HVF-60 <input type="checkbox"/>	HVF-72 <input type="checkbox"/>
Serial Number:	HVFS-		
Max. Input BTU/hr.:	37,500	Orifice Size:	#47 DMS
Min. Input BTU/hr.:	25,000	Gas Control:	SIT Proflame
Max. Supply Pressure:	7 inches w.c.	Electrical Rating:	120v AC, 60 Hz
Min. Supply Pressure:	4 inches w.c.		2.5 A
Max. Manifold Pressure:	3.5 inch w.c.		
This appliance is equipped for Natural Gas only.			
MINIMUM CLEARANCES TO COMBUSTIBLE MATERIALS			
Left and Right side are determined when facing the front of the appliance.			
Top Standoffs:	0.0"	Wall face above opening:	4.0"
Rear:	0.0"	Opening to side wall in front of appliance:	6.0"
Side Standoffs:	0.0"	Mantel to appliance opening:	11.0"
Maximum horizontal mantel extension:	12.0"		
This product has been certified by OMNI-Test Laboratories to ANSI Z21.11.2-2016, Standard for Gas-Fired Room Heaters, Volume II, Unvented Room Heaters. This appliance must be installed in accordance with local codes, if any; if none, follow the ANSI Z223.1. Installation and service must be performed by a qualified installer, service agency or the gas supplier.			
This appliance shall not be field converted.			
WARNING: Do not use a blower insert, heat exchanger insert or other accessory not approved for use with this heater.			
WARNING: Improper installation, adjustment, alteration, service or maintenance can cause property damage, personal injury or loss of life. Refer to the owner's information manual provided with this appliance. Installation and service must be performed by a qualified installer, service agency or the gas supplier.			
This heater shall not be installed in a bedroom or bathroom.			
This appliance is intended for supplemental heating.			
Failure to use only parts specifically approved with this heater may result in property damage or personal injury. See instruction manual for further information.			
Apply loose material per instruction manual. DO NOT apply extra material or material not supplied with the heater. Replace only with European Home Fire Media approved for H Series VENT FREE Fireplaces.			
WARNING: All previously applied loose material must be removed prior to reapplication.			
CAUTION: Hot while in operation. Do not touch. Severe burns may result. Keep children, clothing, furniture, gasoline and other liquids having flammable vapors away.			
WARNING: When used without adequate combustion and ventilation air, heater may give off excessive CARBON MONOXIDE, an odorless, poisonous gas.			
DO NOT INSTALL HEATER UNTIL ALL NECESSARY PROVISIONS ARE MADE FOR COMBUSTION AND VENTILATION AIR. CONSULT THE WRITTEN INSTRUCTIONS PROVIDED WITH THE HEATER FOR INFORMATION CONCERNING COMBUSTION AND VENTILATION AIR. IN THE ABSENCE OF INSTRUCTIONS, REFER TO THE NATIONAL FUEL GAS CODE, ANSI Z223.1/NFPA 54, AIR FOR COMBUSTION AND VENTILATION, OR APPLICABLE LOCAL CODES.			
This heater is equipped with a PILOT LIGHT SAFETY SYSTEM designed to turn off the heater if not enough fresh air is available.			
DO NOT TAMPER WITH THE PILOT LIGHT SAFETY SYSTEM!			
If heater shuts off, do not relight until you provide fresh air. If heater keeps shutting off, have it serviced. Keep burner and control compartment clean.			
CARBON MONOXIDE POISONING MAY LEAD TO DEATH.			
Early signs of carbon monoxide poisoning resemble the flu, with headache, dizziness and/or nausea. If you have these signs, heater may not be working properly. Get fresh air at once! Have heater serviced.			
Some people – pregnant women, persons with heart or lung disease, anemia, those under the influence of alcohol, those at high altitudes – are more affected by carbon monoxide than others.			
Removal of this marking will void compliance of this heater with ANSI Z21.11.2.			
Tested & Listed by OMNI-Test Laboratories, Inc. Report Number: 0286GF0075		manufactured by: EUROPEAN HOME a division of Europa Ja, Inc. 30 Log Bridge Road Building 300 - Suite 303 Middletown, MA 01949 www.europeanhome.com	

Sample Rating Label (affixed beneath the Hearth Panel)

PRE-INSTALLATION PLANNING



WHEN ENCLOSING YOUR FIREPLACE THE USE OF NON-COMBUSTIBLE BUILDING MATERIALS IS REQUIRED. PLEASE READ AND UNDERSTAND THE FOLLOWING.



COMBUSTIBLE MATERIALS

Materials that can catch fire and burn are considered combustible. Any material that is made of, or faced with, wood, wood pulp, paper, plastic or any other material that can catch fire and burn is considered combustible. Even though these materials may have been 'flame-proofed', made 'fire-resistant' or are 'fire-rated' they are considered combustible. Standard and Type X drywall are both combustible.

NON-COMBUSTIBLE MATERIALS

A given material is said to be non-combustible when it cannot catch fire and burn. For example, materials made entirely, or in combinations, of, stone, brick, concrete, tile, steel, plaster or glass are considered non-combustible.

See the chart below for a list of materials which, as of this writing, are reported by their manufacturers to be **BOTH** non-combustible (in accordance with the ASTM E136 standard) **AND** approved for use around fireplaces.

<i>Product</i>	<i>Thickness</i>
James Hardie Building Products HardieBacker® 500 ½" Cement Board	½" (12 mm)
James Hardie Building Products HardieBacker® ¼" Cement Board	¼" (6 mm)

** The listed brand names are trademarks of their respective companies.*

James Hardie Building Products
(888) 542-7343
www.jameshardie.com

HIGH ALTITUDE INSTALLATIONS

These appliances are tested and approved without requiring changes when installed at elevations from 0 to 2,000 feet.

When installing these fireplaces at altitudes above 2,000 feet reduce the input rate by 4% for each 1,000 above 2,000 feet. Consult with your local gas supplier to determine the proper orifice size.

ELECTRICAL CODE

The **H Series** Vent Free Gas Fireplace, when installed, must be electrically grounded in accordance with local codes, or, in the absence of local codes, with the *National Electrical Code ANSI/NFPA 70*.

PRE-INSTALLATION PLANNING

BEFORE YOU BEGIN

Thank you for purchasing an **H Series** Vent Free Gas Fireplace. This fireplace has been designed to provide you with safe, trouble-free operation.

Please read this manual thoroughly before beginning the installation of your fireplace. It has information which is important for safe installation and operation.

Please inspect your shipment for completeness and any damage. Contact your retailer if any damage is found. Do not install your fireplace with any damaged or substituted parts.

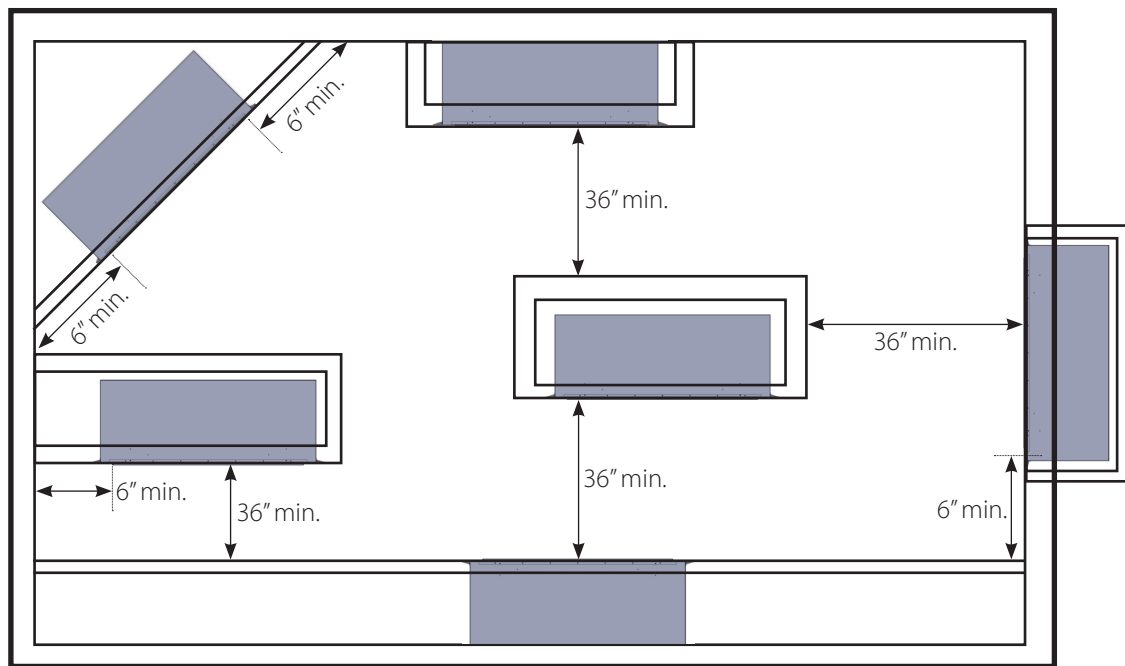
The installation of your new fireplace will follow the steps below and this manual is laid out accordingly.

- **Pre-Installation Planning** - Fireplace location, gas and electric supply runs and clearances
- **Rough Installation** - Build the rough frame and install the fireplace
- **Electric Installation** - By a qualified, licensed electrician
- **Gas Installation**- By a qualified, licensed gasfitter or plumber
- **Trim and Finish** - Finishing around the fireplace
- **Final Installation** - Wall, mantel and non-combustible facing

Before you begin your installation you should have the following tools and supplies:

- Saw
- Hammer
- Pliers
- Pipe wrench
- Phillips and straight-blade screwdrivers
- Plumb line and level
- Tape measure and framing square
- Electric drill and assortment of drill bits
- Safety glasses and gloves
- Framing material
- Non-combustible finish material
- Approved pipe joint sealant
- Manometer
- #6 or #8 self-tapping screws, 1/2" - 3/4" long
- Leak detection fluid (non-corrosive) or electronic gas detector
- Appropriate electrical supply wiring parts
- Appropriate gas supply line parts

PRE-INSTALLATION PLANNING



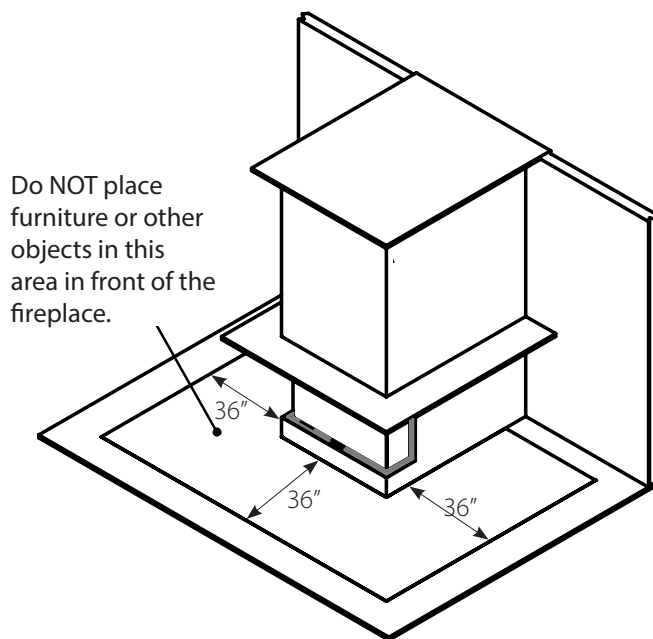
Possible Fireplace Locations

LOCATING THE FIREPLACE

Several issues must be addressed when selecting a suitable location for the **H Series** Vent Free Gas Fireplace. Observing the required clearances to combustible materials, the accessibility of the gas supply as well as the room into which it will be installed must all be considered. The fireplace may be placed on a raised platform.

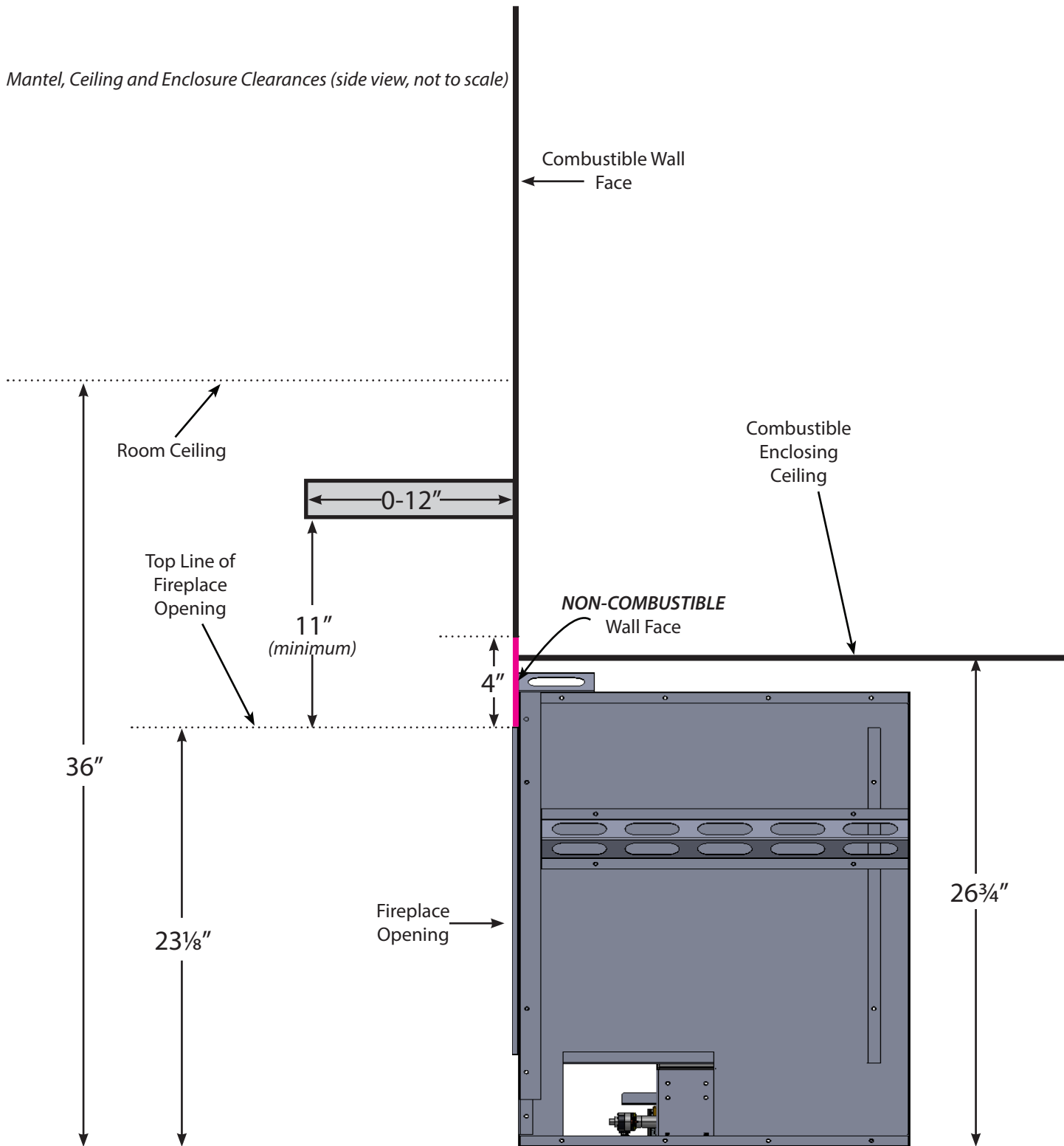
This appliance is a HEATING appliance and it becomes hot in operation. **DO NOT PLACE** any object, furniture, draperies or other item **LESS THAN 36 inches** from the front of the fireplace.

The clearance dimensions shown throughout this manual **MUST** be maintained for safety as well as servicing and maintenance.



PRE-INSTALLATION PLANNING

MINIMUM MANTEL and ENCLOSING CLEARANCES



PRE-INSTALLATION PLANNING



When enclosing your fireplace, the use of non-combustible building materials is required. Please read and understand the **COMBUSTIBLE MATERIALS** and **NON-COMBUSTIBLE MATERIALS** section.



MINIMUM CLEARANCES TO COMBUSTIBLE MATERIALS

When installing the **H Series** Vent Free Gas Fireplace, the clearances shown in the table below must be observed. If the required clearances are not maintained a fire may result thereby causing property damage, personal injury or loss of life.

When the fireplace is to be installed directly on carpeting, vinyl tile or combustible material other than wood flooring, it must be installed on a metal or wood panel extending the full width and depth of the fireplace cabinet.

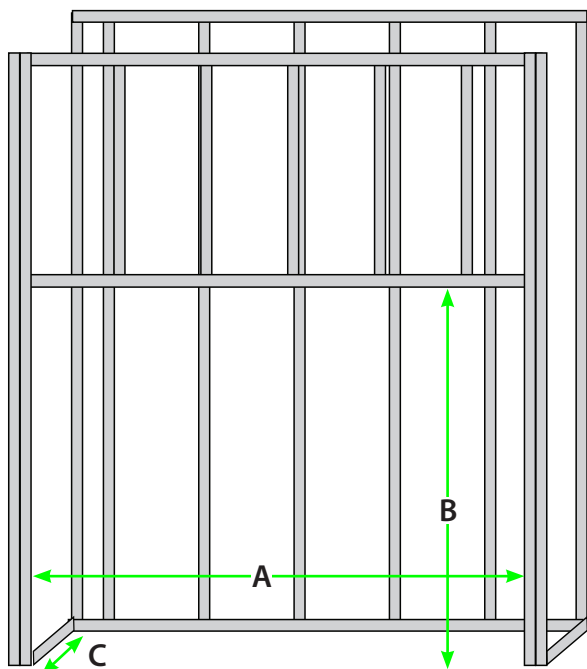
Must maintain adequate clearances for servicing and proper operation.

MINIMUM CLEARANCES TO COMBUSTIBLE MATERIALS	HVF-42 HVF-60 HVF-72
Clearance to Top Standoffs	0.0"
Clearance to Side Standoffs	0.0"
Clearance to Cabinet Rear	0"
Clearance to Wood Floor	0"
Distance Between Cabinet Bottom and Enclosure Ceiling	26 ³ / ₄ "
Distance Between the Opening and a Side Wall in Front of the Fireplace	6.0"

Minimum Clearances to Combustible Materials

ROUGH INSTALLATION

ROUGH OPENING



Dimension	HVF-42	HVF-60	HVF-72
A (Width)	49 ³ / ₄ "	67 ³ / ₄ "	79 ³ / ₄ "
B (Height)	26 ³ / ₄ "	26 ³ / ₄ "	26 ³ / ₄ "
C (Depth)	18 ¹ / ₂ "	18 ¹ / ₂ "	18 ¹ / ₂ "

Rough Opening Dimensions by Model

INSTALLING THE FIREPLACE

The **H Series** Vent Free Gas Fireplace must be placed on a sturdy and level surface. It can be placed on the floor or a raised platform made *ONLY* of wood or non-combustible materials - do not place the fireplace on carpet or vinyl tile.

1. After the framing has been completed, place the fireplace into the rough opening. Framing material can touch the standoffs at the sides and rear of the cabinet but do not place anything between the framing and the standoffs.
2. Make sure the fireplace is both level and square.
3. Secure the fireplace to the framing via the nailing flanges. Use the fasteners required by your local building code.

ELECTRIC INSTALLATION



Caution: Label all wires prior to disconnection when servicing controls. Wiring errors can cause improper and dangerous operation.

This appliance must be electrically grounded in accordance with local codes, or, in the absence of local codes, with either the National Electrical Code ANSI/NFPA 70.

Electrical work should only be performed by a qualified, licensed electrician. Electric power must be off when making connections or performing any service.

All wiring shall be in compliance with all local, city, and state codes.

Verify proper operation after servicing.

ELECTRICAL ASSEMBLY

The **H Series** Vent Free Gas Fireplace is provided with a single gang work box, cover and receptacle which must be mounted inside the fireplace cabinet at either available knockout; left side lower left or right side lower right. The internal receptacle is to be wired to a 120V AC branch circuit according to all applicable codes. This circuit must be wired such that the AC power to the **H Series** Vent Free Gas Fireplace may be turned off by an accessible single-pole switch. This circuit need not be dedicated to the **H Series** Vent Free Gas Fireplace unless required by local codes.

After the internal receptacle is mounted, connected and tested, the AC plug from the burner may be plugged in to it.

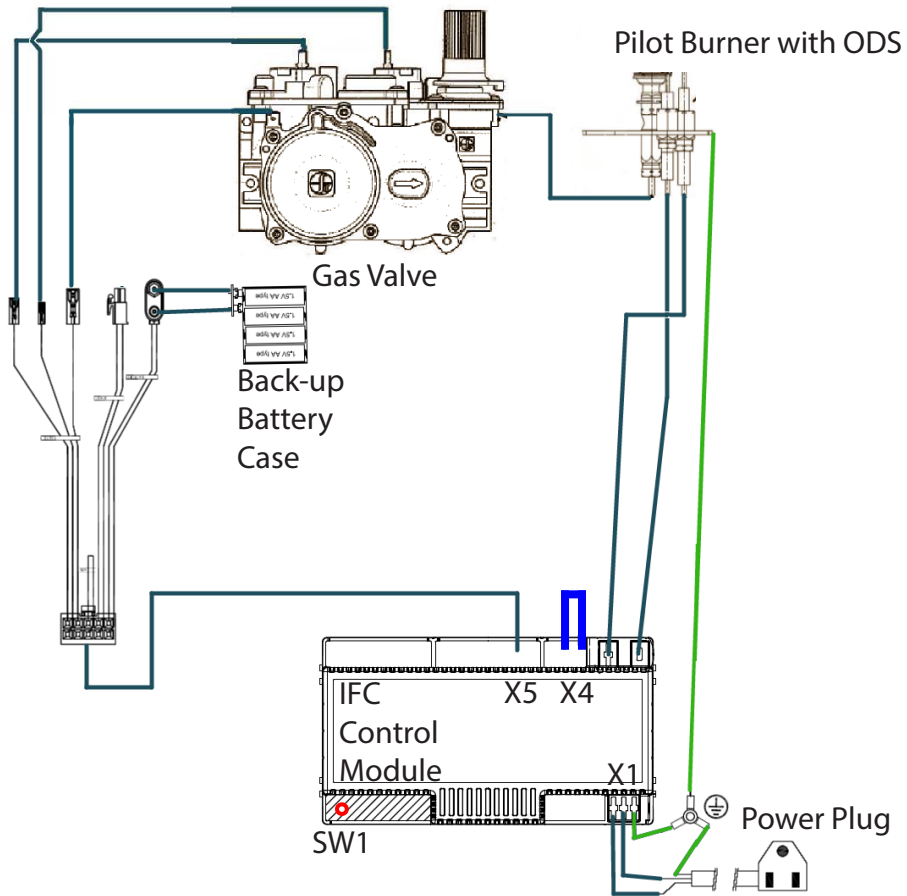
BATTERY BACKUP

The **H Series** Vent Free Gas Fireplace has a battery backup feature which, after 4 AA batteries are installed, powers the system in the case of a commercial power loss. The battery case is in the left rear corner of the fireplace and can be accessed by lifting off the hearth panel. Remove the battery case cover and insert four AA batteries as shown below.



*Battery Case with Batteries
(shown with cover removed)*

ELECTRIC INSTALLATION



Electrical Connection Diagram

GAS INSTALLATION

Note

The installation of this fireplace must conform with local codes or, in the absence of local codes, with the *National Fuel Gas Code, ANSI Z223.1*.

The **H Series Vent Free Gas Fireplace** is shipped from the factory for use with natural gas *ONLY*. Conversion to another fuel is *NOT* permitted.

This product must be installed by a licensed plumber or gasfitter when installed within the Commonwealth of Massachusetts.

INSTALL THE GAS SUPPLY

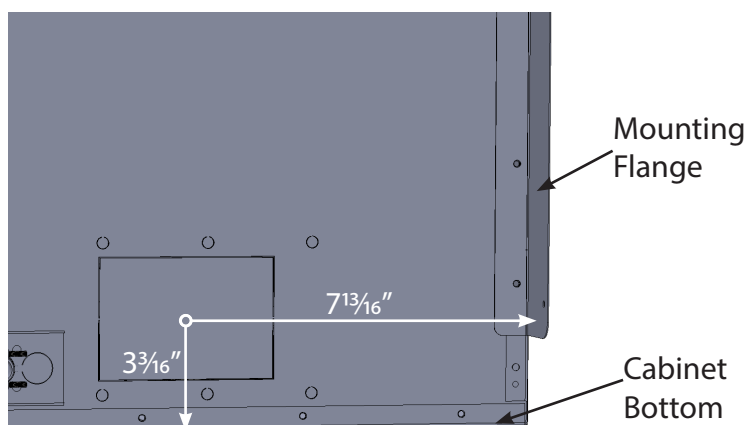
A 5 $\frac{1}{8}$ " x 3 $\frac{1}{2}$ " knockout opening in the lower left and right sides is provided for the gas supply. The dimensions to the center of this opening are shown below. **NOTE: The knockout must be sealed off after being taken off to prevent air from the walls shutting off the pilot light.**

If the gas and electrical lines cannot be run to the provided knockouts, a separate hole may be drilled to bring gas and electrical into the unit. This hole must be located below the hearth tray and sealed completely after the gas and electrical lines have been brought into the unit.

The gas supply piping should have a separate gas shutoff valve and a capped, $\frac{1}{8}$ " pipe tapping upstream of the valve for the purpose of reading pressure. A service shutoff valve must be placed within six feet of the fireplace gas control valve.

The gas supply line must terminate with a $\frac{1}{2}$ " male flare fitting. The gas supply pressure at the gas control valve **must not exceed 7.0" w.c. (1.7 kPa)**

The appliance and its appliance main gas valve must be *disconnected* from the gas supply piping system during any pressure testing of that system at test pressures in excess of $\frac{1}{2}$ psi (3.5 kPa). The appliance must be *isolated* from the gas supply piping system by closing its equipment shutoff valve during any pressure testing of the gas supply piping system at test pressures equal to or less than $\frac{1}{2}$ psi (3.5 kPa).



Gas Supply Opening On Either Side (see text)

Building codes do not permit the installation of a gas fireplace in a plenum (a chase designed for air flow) but your enclosure may have local air movement within it. To limit the movement of air on the pilot and/or burner flames the knockout opening(s) should be sealed with aluminum (non-combustible) duct tape.

TRIM and FINISH

HVF-42, HVF-60, and HVF-72 WALL FACING



NON-Combustible Facing Dimensions

Dimension	HVF-42	HVF-60	HVF-72
A	42"	60"	72"
B	4"	4"	4"

NON-Combustible Facing Dimensions

All of the following limits **MUST** be maintained for installations of these fireplaces:

- The bottom of the cabinet may be no closer to the room ceiling than 36".
- The minimum interior height of an enclosing chase is 26³/₄".
- The combustible facing limits for the **H Series Vent Free Gas Fireplaces** are listed in the table above. Combustible wall facing is **NOT** permitted inside this limit. Dimension "B" is measured up from the top of the fireplace opening and the "A" dimension is centered on the cabinet.

TRIM and FINISH

FINISHING THE ENCLOSURE

The **H Series** Vent Free Gas Fireplace is designed to be enclosed with common building materials; wood, drywall, plaster, etc.

- Any combustible mantels must be installed within the limits.
- Provided the required clearances are maintained, the walls that enclose the sides of the fireplace may be constructed of combustible material. *The facing within the limits must be made of non-combustible material.*
- The facing flanges on these fireplaces are designed for use with ½" thick facing. Non-combustible facing must be used as shown previously.
- The wall above the fireplace opening is constantly exposed to elevated temperatures. This must be considered when choosing any fasteners, paint, mastic, sealant, caulk, etc. for use in this area as materials may change color or emit an odor when heated. Petroleum-based tile adhesives should be avoided and thin-set mortar used instead.

INSTALLING THE FIRE MEDIA

Two types of fire media are available for your **H Series** Vent Free Gas Fireplace; Fireglass or Carrara Pebbles.

The Fire Media

The entire contents of the bag of fire media should be spread to an even depth across the entire burner top. *Be certain that media does not come within ¼" of the pilot burner. Media dust should not be emptied on burner top as it may clog the gas parts.*

The fire media must be installed per these instructions. This heater must use only the fire media provided by European Home. An excess amount of fire media may adversely affect the performance of the heater.

WARNING: All previously applied loose material must be removed prior to reapplication.

OPERATING the FIREPLACE

BEFORE THE FIRST FIRE

1. Make sure all construction materials have been removed from inside and around the fireplace.
2. Confirm that the electrical wiring is properly connected.
3. Check the gas supply for leaks.
4. Confirm the proper placement of the burner media.

THE FIRST FIRE

The first time you light your **H Series** Vent Free Gas Fireplace an odor may be given off by the unit. This is normal and is a result of the 'burn off' of the lubricants and sealants used when manufacturing the fireplace. We recommend that you open the nearby windows for extra ventilation and operate the fireplace for at least four hours.

During this first fire, examine the flame for appearance and quality. Examine the burner media for sooting. The flames should look like those on page 27.

Since it is a metal fireplace, the heat-up and cool-down cycles may produce some noises caused by the expansion and contraction of these metals. The premium materials and build quality of your **H Series** Vent Free Gas Fireplace will keep these sounds to a minimum.

FOR YOUR SAFETY READ BEFORE LIGHTING

WARNING: If you do not follow these instructions exactly, a fire or explosion may result causing property damage, personal injury or loss of life.

- A. This heater is equipped with an ignition device which automatically lights the pilot. Do NOT try to light the pilot by hand.
- B. BEFORE LIGHTING, smell all around the heater area for gas. Be sure to smell next to the floor because some gas is heavier than air and will settle on the floor.

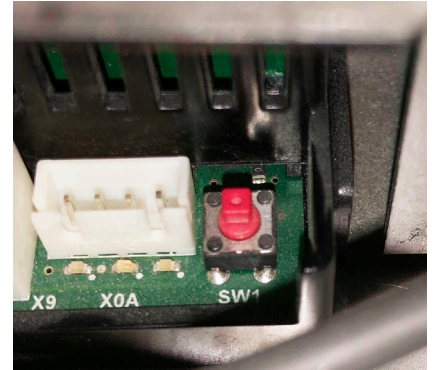
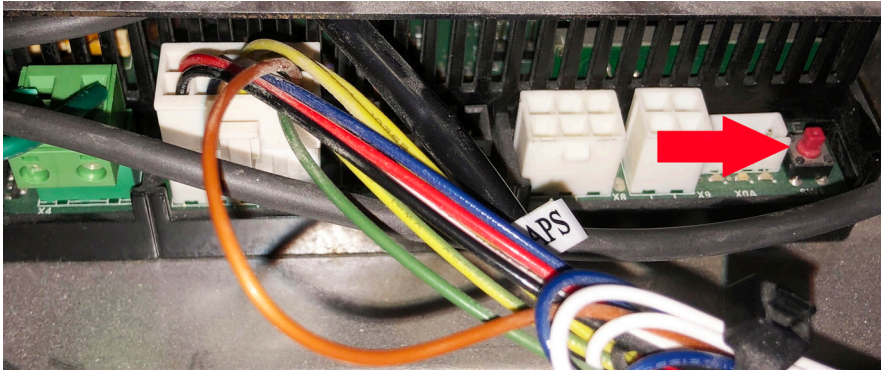
WHAT TO DO IF YOU SMELL GAS

- Do not try to light any appliance.
 - Do not touch any electric switch; do not use any phone in your building.
 - Immediately call your gas supplier from a neighbor's phone. Follow the gas supplier's instructions.
 - If you cannot reach your gas supplier, call the fire department.
- C. Do not use this heater if any part has been under water. Immediately call a qualified service technician to inspect the heater and to replace any part of the control system and any gas control which has been under water.

OPERATING the FIREPLACE

PAIRING THE REMOTE

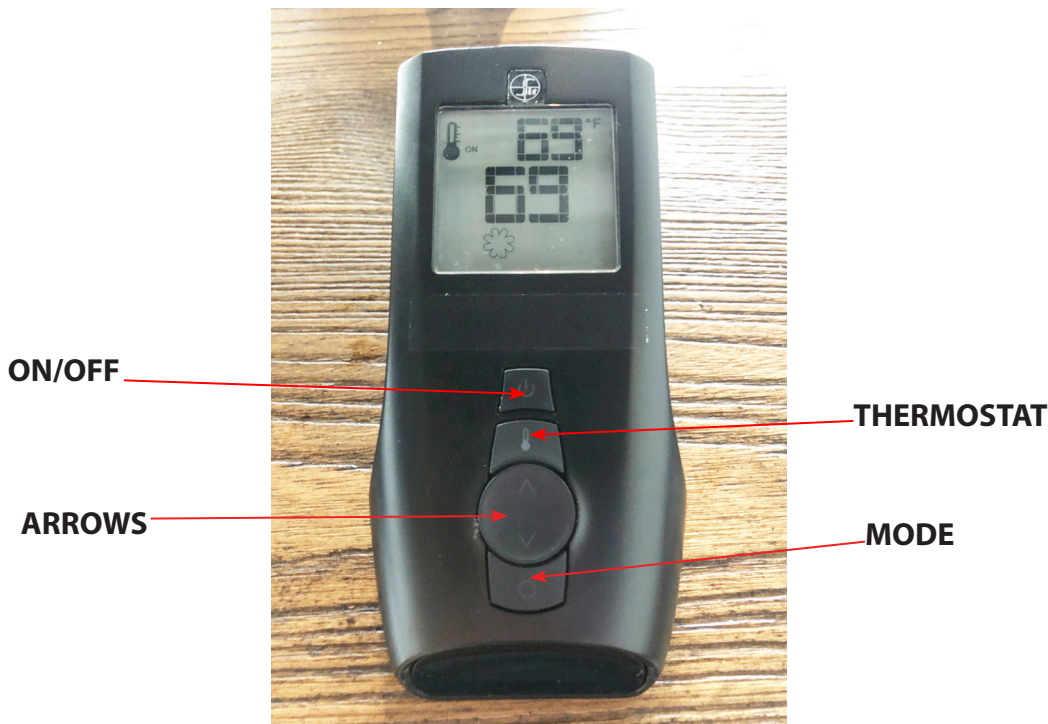
1. Press the **RED SW1** button on the IFC Module. The IFC Module will produce 3 fast beeps indicating the receiver box is ready to be paired to the remote.



2. Press, but do not hold, the **ON/OFF** power button on the remote control within 10 seconds of pressing the **RED SW1** button. The IFC Module will produce 3 beeps indicating the receiver has paired to the remote. If the **ON/OFF** power button is not pressed and let go within 10 seconds, the **RED SW1** button will need to be pressed again.



OPERATING the FIREPLACE



LIGHTING THE FIRE

1. With the fireplace off, press the **ON/OFF** button. A single beep from the fireplace will confirm the button press. If the pilot or burner does not light, wait 5 minutes to clear out any gas. Smell for gas including near the floor. **If you smell gas STOP and follow B on page 22.**

TO TURN OFF THE FLAME

1. With the fireplace on, press the **ON/OFF** button. A single beep from the fireplace will confirm the button press and the fireplace will turn off.

TO USE THERMOSTAT FUNCTION

1. With the fireplace on, press the **THERMOSTAT** button. The display will read **ON** next to the thermostat icon.
2. Use the **ARROW** keys to adjust the LCD to the desired temperature.
3. Pressing the **THERMOSTAT** button again will put the fireplace into **SMART** mode which will adjust the flame height based on the difference between the set temperature and the current temperature.
4. Pressing the **THERMOSTAT** button a 3rd time will turn thermostat mode off. The temperature at the fireplace will not be displayed on the LCD and the flame height can be adjusted using the **ARROW** buttons.

THE MODE BUTTON

1. The **MODE** button gives the option to adjust flame height, fan speed, and light level. This fireplace does not have a fan or illumination. Keep the mode on the flame height which is indicated by a full flame icon.



OPERATING the FIREPLACE

IPI/CPI MODE

1. **IPI** (Intermittent Pilot Mode) will turn off the pilot when the burner has been shut off. **CPI** (Continuous Pilot Mode) will keep the pilot on when the burner has been shut off.
2. **CPI is not functional for this fireplace and should instead be kept set to IPI.**
3. With the fireplace off, press th **MODE** button, **IPI** or **CPI** will be displayed.
4. Press the **ARROW** buttons to change the mode.
5. A **SNOWFLAKE** icon will appear on the display when **CPI** is selected.



CHANGING UNIT OF TEMPERATURE

1. To change the temperature unit, press the **MODE** button and **THERMOSTAT** button simultaneously to change the unit of temperature from fahrenheit to celsius or celsius to fahrenheit.

KEY-LOCK MODE

1. Key lock mode disables all the buttons on the remote.
2. To enable key lock, press the **MODE + UP ARROW** buttons simultaneously, a **LOCK** icon will appear. Press again to disable.



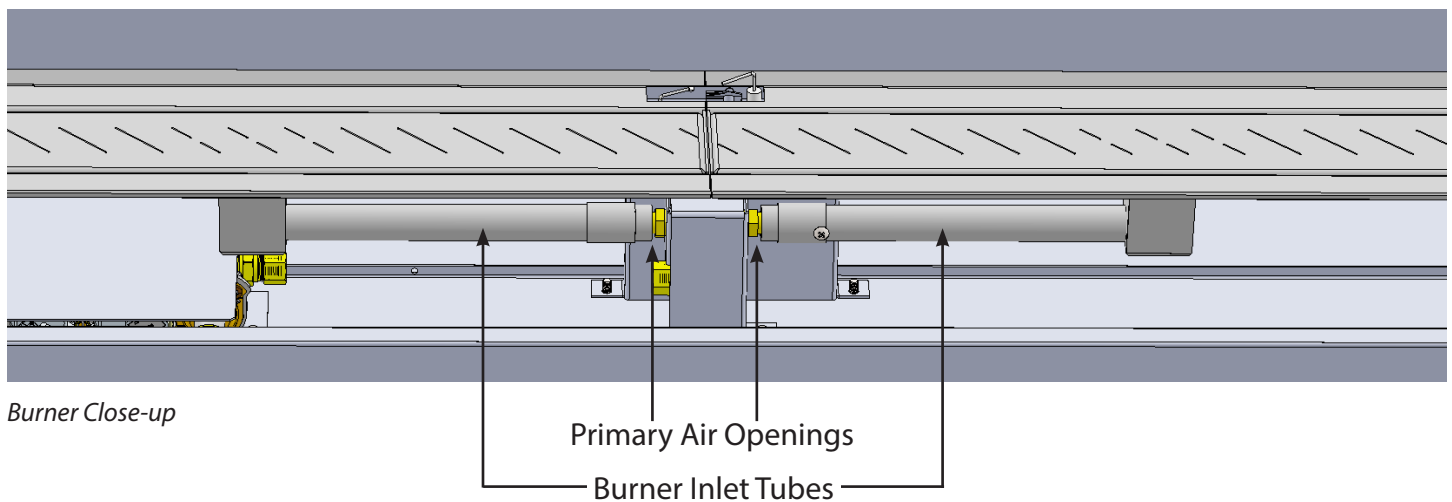
MAINTENANCE

A qualified service agency should conduct an annual inspection and maintenance of your **H Series** Vent Free Gas Fireplace to keep it running safely. The following procedures should be performed only by a qualified service person. The gas supply should be turned off whenever a maintenance procedure is performed. All parts of the fireplace that are removed for servicing must be replaced prior to operation.

Cleaning the Media and Burner

With all parts of the fireplace at room temperature, carefully remove and clean the fire media with a soft bristled brush.

Lift off the hearth panel and clean the burner surface with a brush and clean the rest of the burner module, including the pilot burner, with a vacuum cleaner. After lifting off the Hearth Panel, ensure that the Primary Air Openings (shown below, at the end of each Burner Inlet Tube) remains free of dust or debris. These openings may be cleaned with a vacuum cleaner or brush.



WARNING Failure to keep the primary air opening of the burner clean may result in sooting and property damage.

MAINTENANCE



Normal Flame Pattern



Normal Pilot Flame Pattern

Make a periodic visual inspection of the pilot and main burner flames.

The main burner flames should look similar to those above.
The pilot burner flame should look like that to the left.

H Series Vent Free Parts List

ITEM	PART NO.
SIT Proflame NG Gas Valve	HVF-GS-GV-01
SIT Proflame Control Module	HVF-GS-CM-01
SIT Proflame Remote Control	HVF-GS-TX-01
H Series NG Pilot Assembly <i>(with Oxygen Depletion Sensor (ODS))</i>	HVF-GS-PA-01
Carrara Pebbles Fire Media	HVF-FM-WHTP
½" Black Glass Fire Media	FM-CG-BLACK
HVF-42 Fireplace Screen	HVF-42-SA-SDS-IM-01
HVF-60 Fireplace Screen	HVF-60-SA-SDS-IM-01
HVF-72 Fireplace Screen	HVF-72-SA-SDS-IM-01

For replacement parts and customer service:

Contact your local Dealer

WARRANTY

European Home Warranty H Series Vent Free Gas Fireplace

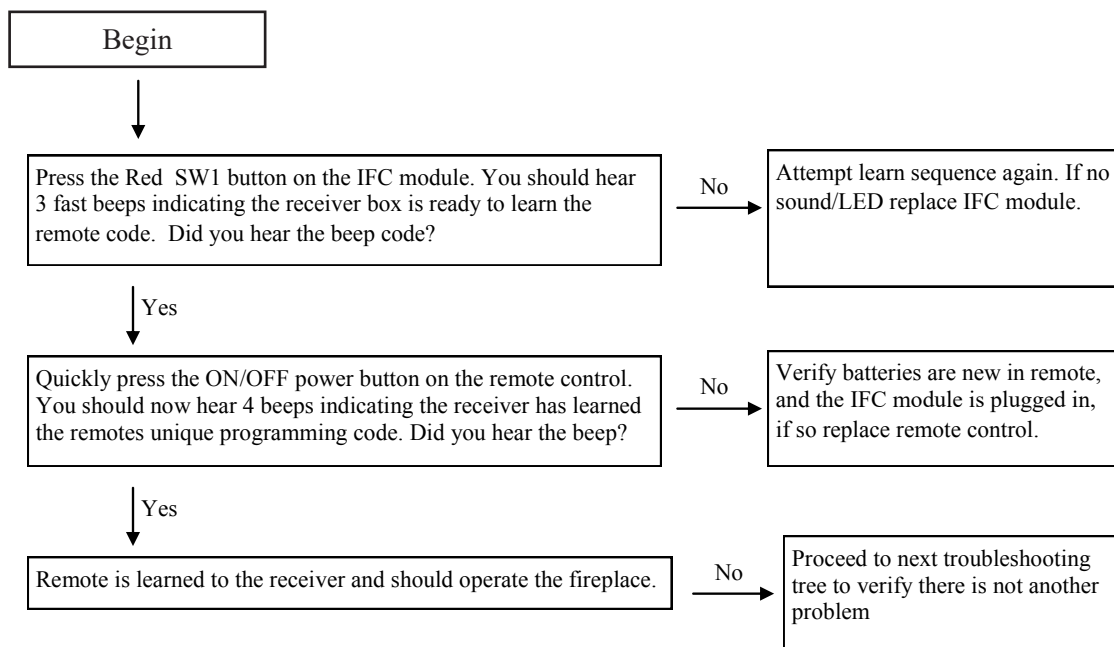
European Home warrants the H Series Vent Free Gas Fireplace burners against defects in materials and workmanship for a period of TWO (2) YEARS from the date of original retail purchase. We warrant the H Series Vent Free cabinet against defects in materials and workmanship for a period of FIVE (5) YEARS from the date of original retail purchase. If a defect exists, European Home will, at its option, either (1) provide needed components using new or refurbished replacement parts or (2) exchange the product with one which is new or which has been manufactured from new or serviceable used parts and is at least functionally equivalent to the original product. A replacement product/part assumes the remaining warranty of the original product or ninety (90) days from the date of replacement or repair, whichever provides longer coverage for you. When a product or part is exchanged, any replacement item becomes your property and the replaced item becomes the property of European Home.

Nothing in the above shall be deemed to imply that this warranty shall apply to work which has been abused or neglected or shows evidence of changes or modifications by others with or without permit, damages caused by the acts of God, building settlement or moving, fire or vandalism. In addition, installation of this product that varies from the requirements stated in the instruction manual will void the warranty.

European Home is a division of Europa Ja, Inc.

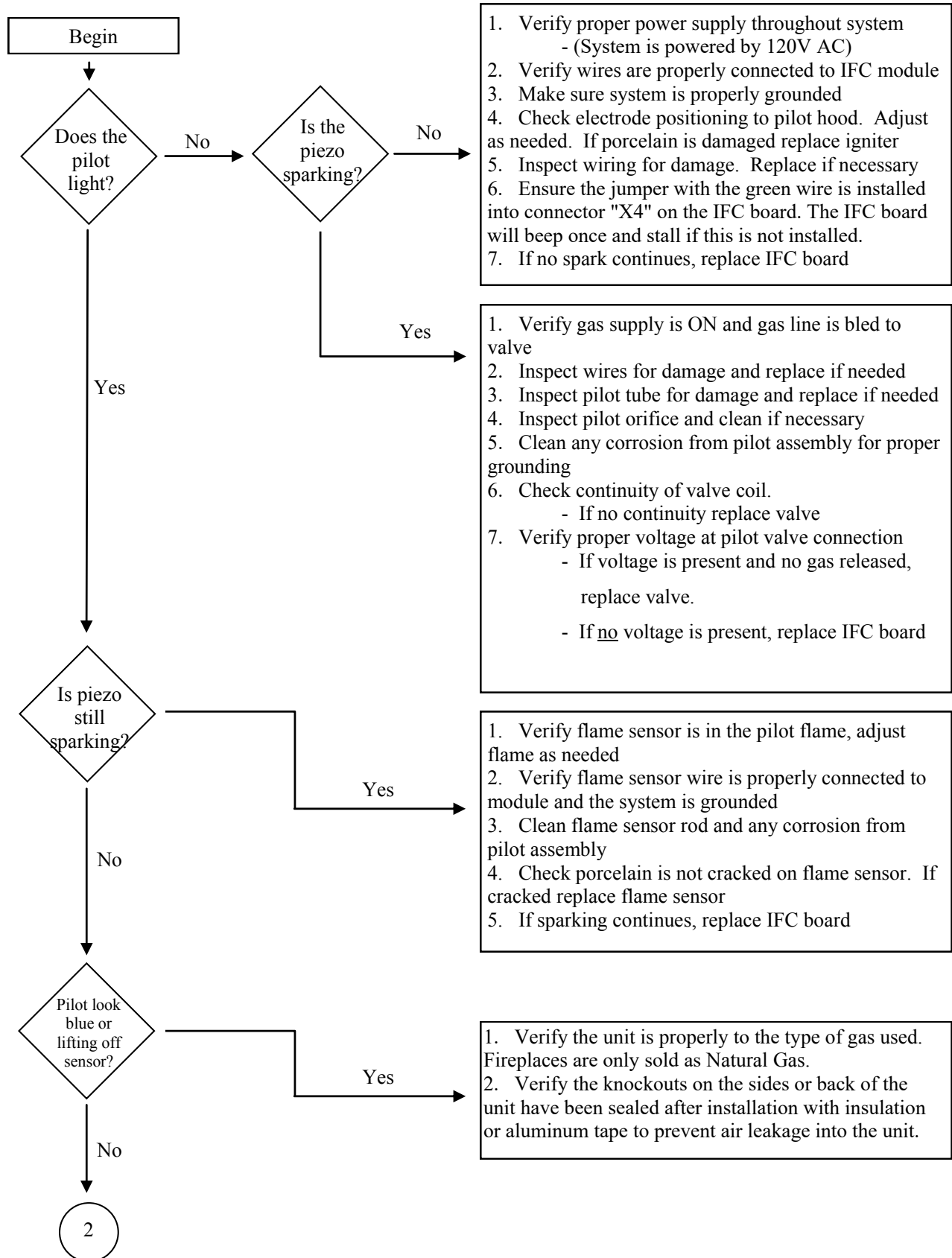
APPENDIX ONE

Remote/Receiver Not Synchronized

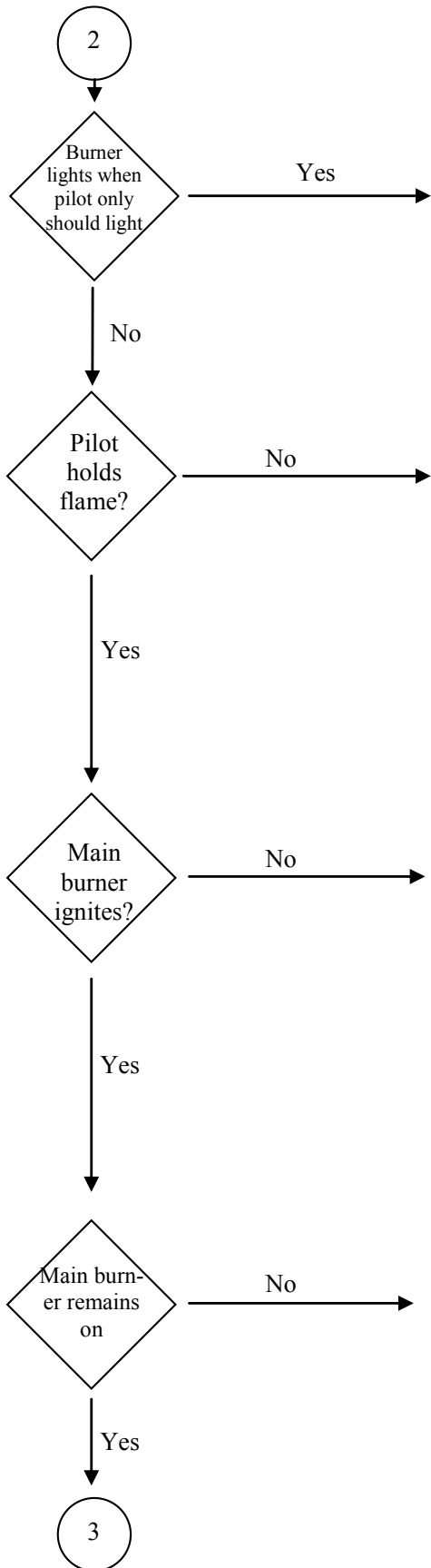


APPENDIX ONE

Troubleshooting



APPENDIX ONE



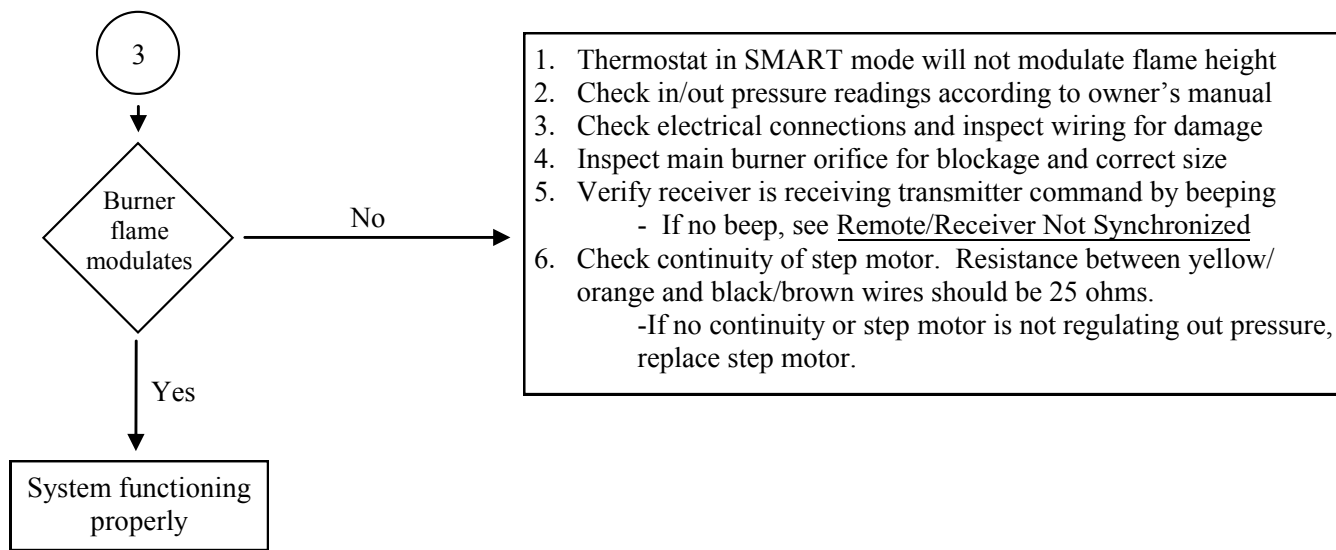
1. Verify transmitter is not powered on or in thermostat mode calling for heat. Display should say OFF next to thermometer image on display for thermo off.
2. Ensure all electrical connections are secure based on the wiring diagram
3. Verify proper voltage at the main valve connection (EV2 green).
 - If voltage is present replace IFC board
 - If voltage is not present replace gas valve (solenoid not closing)

1. Verify pilot flame makes full contact with flame sensor
 - Verify gas pressure on full capacity
 - Verify turbulence is not pushing flame off flame sensor
2. Clean the flame sensor and inspect wiring for damage
3. Verify pilot assembly is properly grounded and pilot hood is brushed clean of debris and securely pressed down.
4. Replace flame sensor
5. Check voltage at pilot valve connection (EV1 orange)
 - If no voltage present when calling for pilot, replace IFC board
 - If voltage is present, replace gas valve (valve not opening)

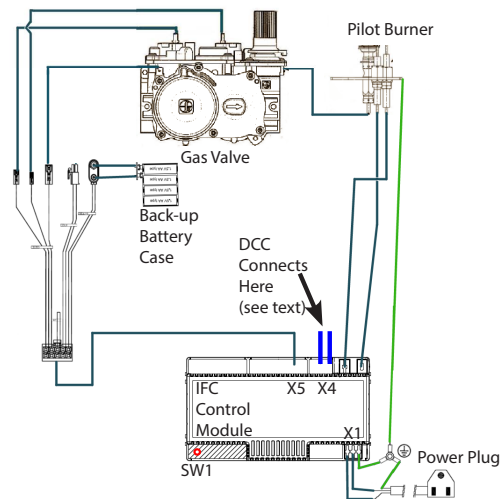
1. Verify THERMOSTAT mode is turned off. It is normal for the burner to turn off if THERMOSTAT mode is on.
2. Verify electrical connections are properly connected according to the wiring diagram and replace any damaged harnesses
3. Verify the pilot flame is properly directed to ignite the burner
4. Verify piezo is not sparking if so, go back to Piezo Still Sparking
5. Verify proper components are installed for type of gas used
6. Check continuity of the main burner coil.
7. Check for voltage at the main burner connection (EV2 green)
 - If voltage is present replace gas valve (not opening)
 - If no voltage is present replace IFC board

1. Verify THERMOSTAT mode is turned off. It is normal for the burner to turn off if THERMOSTAT mode is on.
2. Verify that the knockouts on the back or side of the unit have been sealed to prevent air infiltration from the wall.
3. Verify electrical components are properly connected according to the wiring diagram and replace any damaged harnesses
4. Verify pilot flame makes contact with flame sensor. Clean flame sensor of any debris or silicone film.
5. Verify gas pressure on full capacity is according to manual
6. Check for voltage at the main burner connection (EV2 green)
 - a. If voltage is present when drops out, replace gas valve
 - b. If no voltage, replace control module.

APPENDIX ONE



APPENDIX TWO

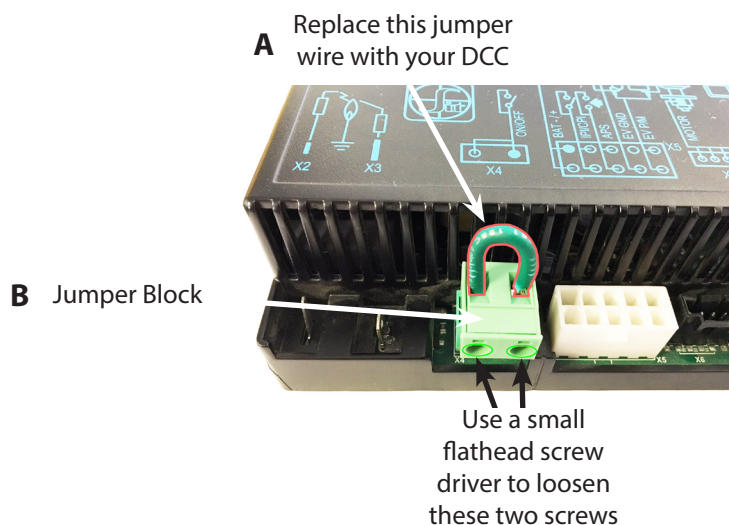


WIRING to a HOME AUTOMATION SYSTEM (OPTIONAL)

The H Series Vent Free Gas Fireplace can be controlled with a home automation system (not included) or the remote control (included). The home automation system cannot adjust the flame height; it can turn the fireplace on or off (no flame adjustment).

When using a home automation system:

1. Remove the jumper wire (**A**) from Jumper Block (**B**) located at X4 using a small flathead screw driver. Replace it with a millivolt-rated, dry contact closure (DCC) provided by you.
2. The remote control must then be disconnected from the system by pressing the SW1 button (see above) TWICE in succession.



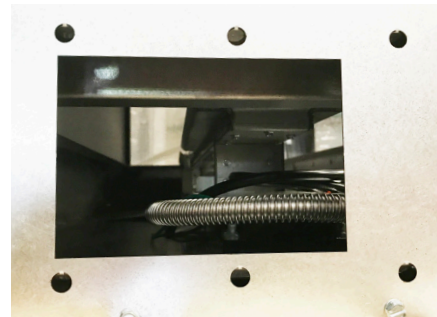
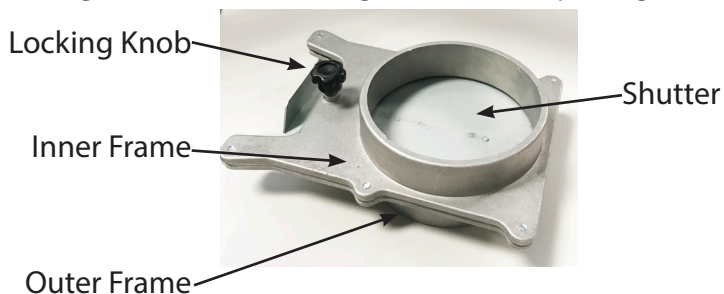
APPENDIX THREE

INSTALLING THE AIR SHUTTER KIT

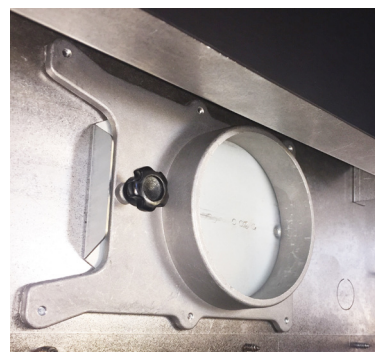
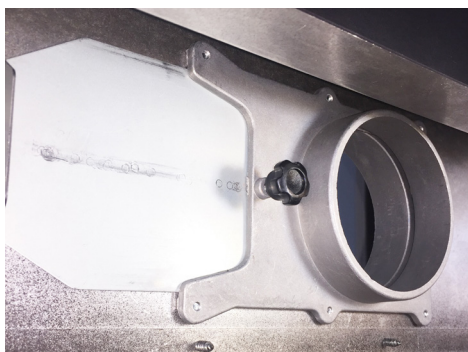
Some building code jurisdictions require that outside or “make-up” air be provided when installing a fireplace of this type. An Air Shutter Kit (HVF-SA-ASK-01) is provide in the accessory kit shipped with the **H-Series** Vent Free Gas Fireplace. The installation of which *may* be required by your local building code. Confirm the installation requirements with your local inspector prior to ordering and installing the Air Shutter Kit.

It is recommended that the Air Shutter Kit (ASK) be installed before the final framing of the fireplace as the ASK increases a dimension of the fireplace. The ASK may be installed on either the lower left or lower right side of the cabinet. The following steps show a left side installation.

1. On the side of your choice, remove the knock-outs for the rectangular opening and the six screw holes.
2. Remove the six screws which hold the two frames together and separate the parts.
3. Place the Outer Frame against the outside of the cabinet and ensure that the round shutter opening is aligned with the rectangular cabinet opening.
4. Place the Inner Frame against the inside of the cabinet and ensure that the round shutter opening is aligned with the rectangular cabinet opening.

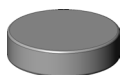


5. Loosely attach the Outer Frame to the Inner Frame with the six screws mounted through the cabinet screw holes. Do not tighten the screws yet.
6. From inside the cabinet, slide the Shutter between the Inner Frame and the cabinet as shown below
7. Tighten the six screws while ensuring the Shutter remains free to slide back and forth.



APPENDIX FOUR

Screen Kit Part#: HVF-SA-SS-HWK



Magnets: 16



Slip Tabs: 16

Note: some or all of the parts included in this kit will be used depending on the fireplace.

How to install

1) Position Slip Tabs between the front hearth panel and the inside bottom frame of the front of the fireplace unit using a magnet to secure. Space the Slip Tabs 6"(152mm) to 12"(305mm) apart starting with a Slip Tab on each end.



2) Slip Tabs will slide between the ceiling panel and the upper inside frame of the fireplace using a magnet to secure. Space the Slip Tabs 6"(152mm) to 12"(305mm) apart starting with a Slip Tab on each end.



3) The bottom of the screen will sit on the fireplace base and rest up against the tabs and the magnets. Push the top of the screen into place so that the top of the metal screen frame attaches to the ceiling magnets.

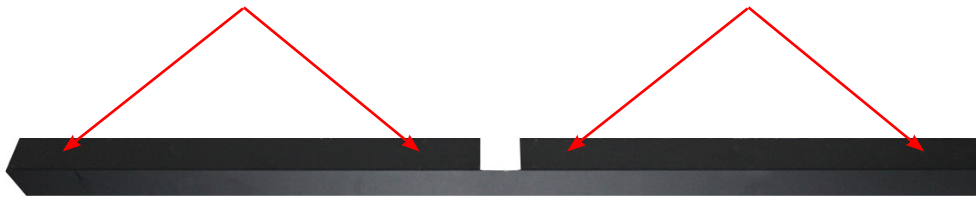


APPENDIX FIVE

INSTALLING THE HEAT DEFLECTOR

H Series Models

- Unwrap the packaging from around the heat deflector
- Lay the deflector in front of the fireplace and locate the 4 holes on the deflector panel as shown below.



- Center the deflector in the center top of the unit so there is equal space on either side and the bend of the deflector lined up with the front of the unit.
- Screw the deflector up to the underside using the (4) included screws, starting at either end first to align the deflector then the middle screws. In the end the unit should look like the below image.



APPENDIX SIX

OPTIONAL CONCRETE STYLE GLASS PANELS

Included:

- Concrete Styled Glass Panels
- Clips to secure panels
- Self-tapping screws
- Gasket

All panel kits include hardware kit - EH-SA-PAN-HWK (8 clips and 10 screws) for panel installation.

1. With the hearth tray in place, slide the gasket material between the rear wall and the hearth tray. This will prevent the concrete styled panels from slipping down. (Figure 1)

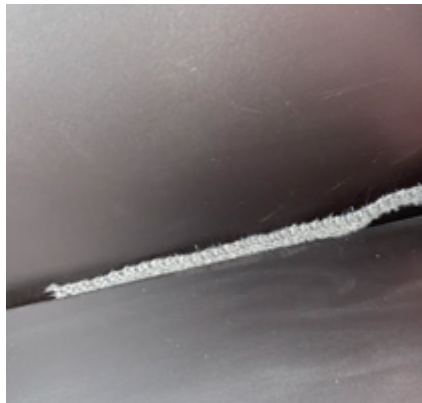


Figure 1

Note: Install the left and right side panels first.

2. With the panel held in position, hold the slotted "L" shaped clip to the ceiling and the other end against the glass. Use the self-tapping screw to secure the clip to the ceiling (Figure 2). The slot will allow you to adjust the clip. Leave 1/16" space to allow for expansion. The panels will rest on top of the hearth tray.



Figure 2



Figure 3

3. Arrange the rear panels (as above in Figure 3 with one clip supporting two panels). The middle panels will be larger than the panels at left and right of the rear wall.



EuropeanHome

EUROPEAN HOME

a division of Europa Ja, Inc.

30 Log Bridge Road

Building 300 - Suite 303

Middleton, MA 01949

www.europeanhome.com

