

SUMMUM 100 C CORNER STYLE FIREPLACE



EuropeanHome

Manufacturer and Importer of high-end Gas, Wood and Electric Fireplaces



Dutch designs imported
from the Netherlands

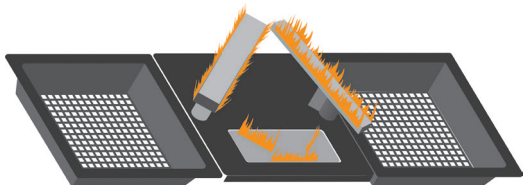


SPECIFICATIONS

GAS TYPE	Natural Gas or Propane
BURNER	Real Flame Burner
HEAT OUTPUT (NATURAL GAS)	13,000 - 50,000 BTU/hr
HEAT OUTPUT (LIQUID PROPANE)	9,000 - 45,000 BTU/hr
VIEWABLE OPENING	38 ¾" W x 21 ½" H
WEIGHT	165 lbs.
VENTING	Requires 5" x 8" Direct Vent
FLAME ADJUSTMENT	Yes
INTERIOR	Black Anthracite (Standard)
REMOTE CONTROL	Yes
ELECTRIC IGNITION	Yes
CERTIFICATION	ANSI Z21.11.50a-2008, CSA 2.22a-2008, CSA P.4 - Vented Gas Fireplaces
EFFICIENCY	89%

PRODUCT OPTIONS & ACCESSORIES

REAL FLAME BURNER SYSTEM



PRODUCT	ITEM CODE
SUMMUM 100 C Left Corner	E4-SUM-100-LC-KIT
SUMMUM 100 C Right Corner	E4-SUM-100-RC-KIT

PROPANE (LP) CONVERSION KIT

PRODUCT	ITEM CODE
For 100 Models	E4-SA-LPCK-9-02-Kit

CONVECTION AIR OPENING TRIMS



PRODUCT	ITEM CODE
Opening Size 8" x 1.75" Frame Size 10.5" x 3.75"	E4-SA-PF-CAOT-8-02
Opening Size 10" x 2.5" Frame Size 12" x 4.5"	E4-SA-PF-CAOT-10-03
Opening Size 11" x 3" Frame Size 12.5" x 4.5"	E4-SA-PF-CAOT-11-03
Opening Size 11" x 5.5" Frame Size 13" x 7.5"	E4-SA-PF-CAOT-11.5-02
Opening Size 20" x 1.75" Frame Size 22" x 3.75"	E4-SA-PF-CAOT-20-03
Opening Size 25" x 2" Frame Size 27" x 4"	E4-SA-PF-CAOT-25-03
Opening Size 34" x 1.75" Frame Size 36" x 3.75"	E4-SA-PF-CAOT-34-02
Opening Size 36" x 1.75" Frame Size 38" x 3.75"	E4-SA-PF-CAOT-36-03
Opening Size 38" x 2.5" Frame Size 40" x 4.5"	E4-SA-PF-CAOT-38-02
Opening Size 40" x 1.75" Frame Size 42" x 3.75"	E4-SA-PF-CAOT-40-03
Opening Size 50" x 2" Frame Size 52" x 4"	E4-SA-PF-CAOT-50-02



LOG SET

PRODUCT	ITEM CODE
LOG SET For 100 Models	E4-LSE-421

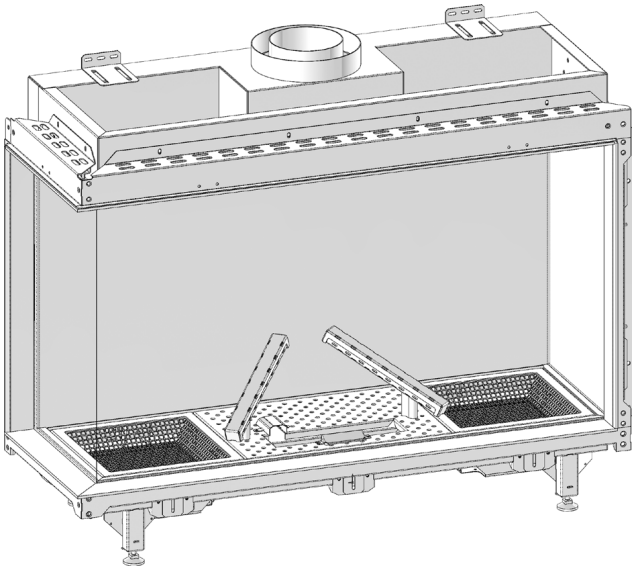
INTERIOR BLACK REFLECTIVE PANELS

PRODUCT	ITEM CODE
For 100 Models	E4-CP-BG-SUM-100-C

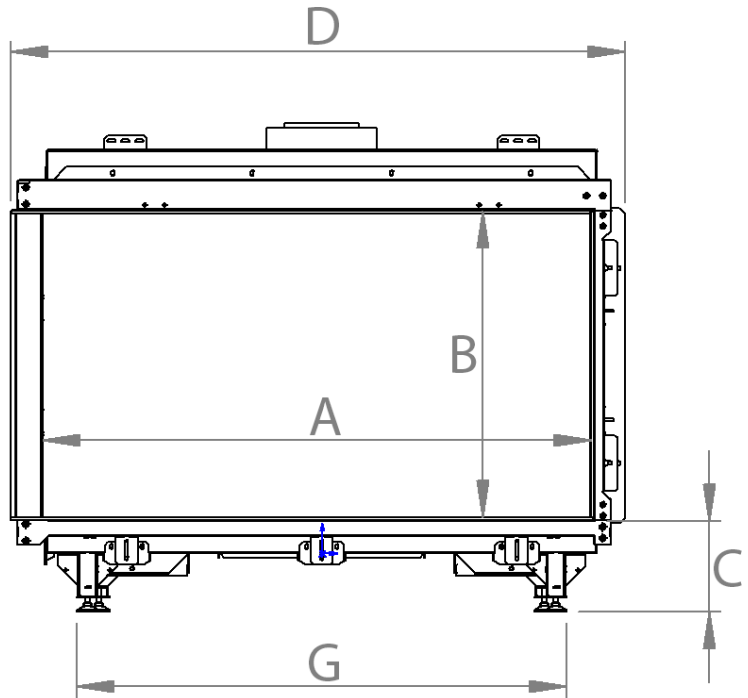
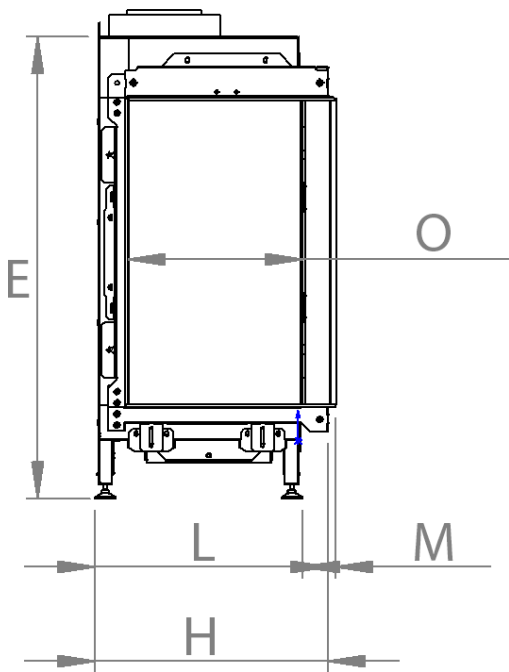
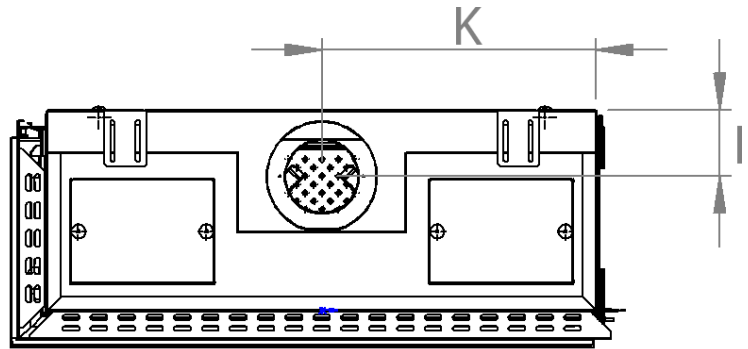
MISC ACCESSORIES

PRODUCT	ITEM CODE
Home Automation Cable	E4-SA-SHSC-02
Wi-fi Enabling Kit	E4-GS-Wifi
Puck Smart Control	E4-GS-PUCK-02
Dealer Service Case	E4-SVC-Case-02

CUT SHEET



Summum 70 LC shown
(Summum 70 RC is a mirror image)



LETTER	A	B	C	D	E	G	H	I	K	L	M	O
INCHES	38 ¾	21 ½	6 1/16	43 7/16	32 11/16	34 9/16	16 11/16	4 1/16	19 3/8	14 11/16	½	12 1/8
[MILLIMETERS]	[984]	[546]	[170]	[1102]	[829]	[878]	[424]	[119]	[492]	[373]	[12]	[308]

VENTING CHARTS

3.2 Category 2 (Imperial) - Ratio 1:2.5

The tables below are the same for fireplaces with vent collar diameter 5/8 and 4/6. Fireplaces in this category are never to be reduced to ensure a correctly functioning fireplace.

3.2.1 Calculation table horizontal termination

Total Vertical Length	Total Horizontal Length										
	20"	3'	4'6"	6'	7'6"	9'	10'6"	12'	13'6"	15'	16'6"
36'	R	R	R	R	R	R	R	V	V	V	V
33'	R	R	R	R	R	R	R	V	V	V	V
30'	R	R	R	R	R	R	R	V	V	V	V
27'	R	R	R	R	R	R	R	V	V	V	V
24'	R	R	R	R	R	R	R	V	V	V	V
21'	R	R	R	R	R	R	R	V	V	V	V
18'	R	R	R	R	R	R	R	V	V	V	V
15'	R	R	R	R	R	R	R	V	V	V	V
13'6"	R	R	R	R	R	R	R	V	V	V	V
12'	R	R	R	R	R	R	R	V	V	V	V
10'6"	R	R	R	R	R	R	R	V	V	V	V
9'	V	V	V	V	V	V	V	V	V	V	V
7'6"	V	V	V	V	V	V	V	V	V	V	V
6'	V	V	V	V	V	V	V	V	V	V	X
4'6"	V	V	V	V	V	V	V	X	X	X	X
3'	V	V	V	V	V	X	X	X	X	X	X
20"	V	V	V	X	X	X	X	X	X	X	X

3.2.2 Calculation table vertical termination

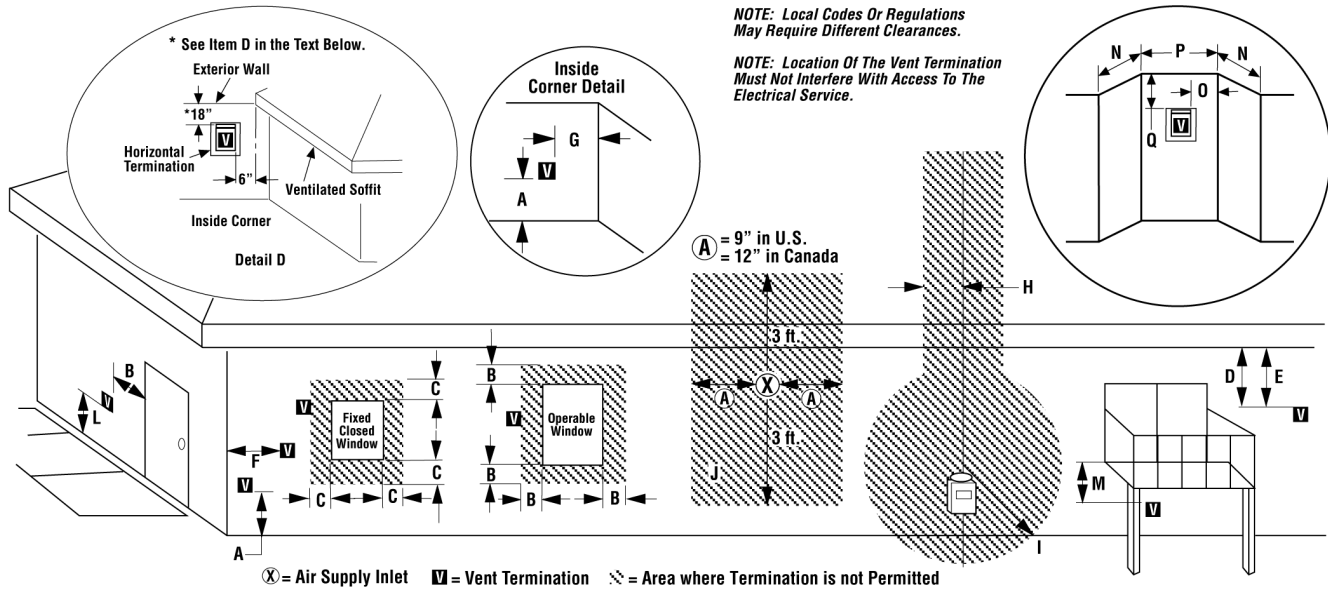
For a vertical termination a minimal starting length of 20" before an elbow and minimal **Total Vertical Length** of 3' is required.

Total Vertical Length	Total Horizontal Length										
	0	20"	3'	4'6"	6'	7'6"	9'	10'6"	12'	13'6"	15'
72'	V	V	X	X	X	X	X	X	X	X	X
69'	R	V	V	V	X	X	X	X	X	X	X
66'	R	R	R	V	V	V	X	X	X	X	X
63'	R	R	R	R	R	V	V	V	X	X	X
60'	R	R	R	R	R	R	R	V	V	V	X
57'	R	R	R	R	R	R	R	R	V	V	V
54'	R	R	R	R	R	R	R	R	R	R	V
51'	R	R	R	R	R	R	R	R	R	R	R
48'	R	R	R	R	R	R	R	R	R	R	R
45'	R	R	R	R	R	R	R	R	R	R	R
42'	R	R	R	R	R	R	R	R	R	R	R
39'	R	R	R	R	R	R	R	R	R	R	R
36'	R	R	R	R	R	R	R	R	R	R	R
33'	R	R	R	R	R	R	R	R	R	R	R
30'	R	R	R	R	R	R	R	R	R	R	R
27'	R	R	R	R	R	R	R	R	R	R	R
24'	R	R	R	R	R	R	R	V	V	V	V
21'	R	R	R	R	R	R	R	V	V	V	V
18'	R	R	R	R	R	R	R	V	V	V	V
15'	R	R	R	R	R	R	R	V	V	V	V
13'6"	R	R	R	R	R	R	R	V	V	V	V
12'	R	R	R	R	R	R	R	V	V	V	V
10'6"	R	R	R	R	R	R	R	V	V	V	V
9'	V	V	V	V	V	V	V	V	V	V	V
7'6"	V	V	V	V	V	V	V	V	V	V	V
6'	V	V	V	V	V	V	V	V	V	V	X
4'6"	V	V	V	V	V	V	V	X	X	X	X
3'	V	V	V	V	V	X	X	X	X	X	X

R	Air Restrictor Required
V	Air Restrictor Not Required
X	Can Not Have That Vent Run

VENTING CLEARANCES

HORIZONTAL VENT TERMINATION CLEARANCES AND REQUIREMENTS



	US Installation**	Canadian Installation*
A = Clearance above grade, veranda, porch, deck, or balcony.	12 inches (30cm)**	12 inches (30cm)*
B = Clearance to window or door that may be opened.	6 inches (15cm) for appliances < 10,000 Btuh (3kW), 9 inches (23cm) for appliances > 10,000 Btuh (3kW) and < 50,000 Btuh (15kW), 12 inches (30cm) for appliances > 50,000 Btuh (15kW)**	6 inches (15cm) for appliances < 10,000 Btuh (3kW), 12 inches (30cm) for appliances > 10,000 Btuh (3kW)
C = Clearance to permanently closed window	9 inches (229mm) recommended to prevent window condensation	12 inches (305mm) recommended to prevent window condensation
D = Vertical clearance to ventilated soffit located above the termination within a horizontal distance of 18 inches (458mm) from the center line of the termination	18 inches (458mm)	18 inches (458mm)
E = Clearance to unventilated soffit	12 inches (305mm)	12 inches (305mm)
F = Clearance to outside corner	5 inches (12.7cm) minimum	5 inches (12.7cm) minimum
G = Clearance to inside corner	2 inches (5.08cm) minimum - SV4.5HT-2	2 inches (5.08cm) minimum - SV4.5HT-2
H = Clearance to each inside of center line extended above meter/regulator assembly	3 feet (91cm) within a height of 15 feet above the meter/regulator assembly**	3 feet (91cm) within a height of 15 feet above the meter/regulator assembly*
I = Clearance to service regulator vent outlet	3 feet (91cm)**	3 feet (91cm)*
J = Clearance to nonmechanical air supply inlet to building or the combustion air inlet to any other appliance	6 inches (15cm) for appliances < 10,000 Btuh (3kW), 9 inches (23cm) for appliances > 10,000 Btuh (3kW) and < 50,000 Btuh (15kW), 12 inches (30cm) for appliances > 50,000 Btuh (15kW)**	6 inches (15cm) for appliances < 10,000 Btuh (3kW), 12 inches (30cm) for appliances > 10,000 Btuh (3kW)
K = Clearance to a mechanical air supply inlet	3 feet (91cm) above if within 10 feet (3m) horizontally**	6 feet (1.83m)*
L = Clearance above paved sidewalk or paved driveway located on public property	7 feet (2.13m)‡	7 feet (2.13m)‡
M = Clearance under veranda, porch, deck or balcony	12 inches (30cm)‡	12 inches (30cm)*‡
N = Depth of Alcove (Maximum)	6 feet (1.83m)**	6 feet (1.83m)*
O = Clearance to Termination (Alcove)	6 inches (15.2mm)**	6 inches (15.2mm)*
P = Width of Alcove (Minimum)	3 feet (91cm)*	3 feet (91cm)*
Q = Clearance to Combustible Above (Alcove)	18 inches (457mm)**	18 inches (457mm)*

* In accordance with the current CSA-B149.1 National Gas And Propane Installation Code.

** In accordance with the current ANSI S2223.1/NFPA 54 National Fuel Gas Codes.

‡ A vent shall not terminate directly above a sidewalk or paved driveway which is located between two single family dwellings and serves both dwellings.

*‡ Only permitted if veranda, porch, deck or balcony is fully open on a minimum 2 sides beneath the floor:

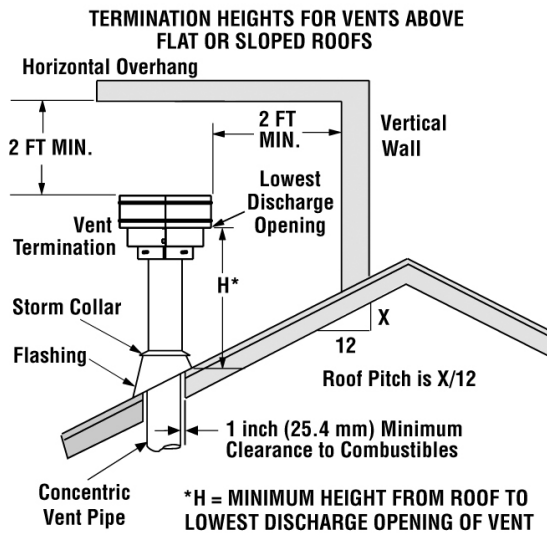
VENTING CHARTS

VERTICAL TERMINATION CLEARANCES AND REQUIREMENTS

Important Note for Roof Terminations

These instructions should be used as a guideline and do not supersede local codes in any way. Install venting according to local codes, these instructions, the current National Fuel Gas Code (ANSI Z223.1 in the USA) or the current standard of CAN/CSA-B149.1 in Canada.

Vertical Vent Termination Clearances

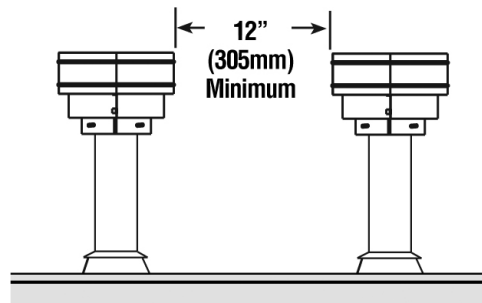


The vent / air intake termination clearances above the high side of an angled roof is as shown in the following chart:

Termination Heights For Vents Above Flat Or Sloped Roofs Ref. NFPA 54 / ANSI Z223.1		
Roof Pitch	* Feet	* Meters
Flat to 6/12	1.0	0.3
6/12 to 7/12	1.25	0.38
7/12 to 8/12	1.5	0.46
8/12 to 9/12	2.0	0.61
9/12 to 10/12	2.5	0.76
10/12 to 11/12	3.25	0.99
11/12 to 12/12	4.0	1.22
12/12 to 14/12	5.0	1.52
14/12 to 16/12	6.0	1.83
16/12 to 18/12	7.0	2.13
18/12 to 20/12	7.5	2.29
20/12 to 21/12	8.0	2.44

Termination Heights

A second termination may be no closer than 12"/305 mm.



Multiple Termination Clearance