

AGORAFOCUS 630 SUSPENDED FIREPLACE



European Home

Manufacturer and Importer of high-end Gas, Wood and Electric Fireplaces



Iconic designs imported from Southern France



SPECIFICATIONS

FUEL TYPE	Wood
NOMINAL HEAT OUTPUT	11 KW
CARBON DIOXIDE OUTPUT	0.09%
VIEWABLE OPENING	24 ¾" Diameter x 11 ½" H
HEARTH WEIGHT	67 lbs.
FLUE WEIGHT	11 lbs.
ANCHOR PLATE WEIGHT	41 lbs.
MINIMUM CEILING HEIGHT	9'
VENTING	Natural Vent - 8" Inside Diameter (Class A Pipe)
CERTIFICATION	UL 737-1996 (U.S.A.) - Vented Wood Fireplaces (U.S. Only)
EFFICIENCY	78.3%

*** THIS MODEL IS NOT AVAILABLE IN CANADA ***

PRODUCT OPTIONS & ACCESSORIES

FIREPLACE MODEL

PRODUCT	ITEM CODE
AGORAFOCUS 630 - Black Finish	FCS-FP-AGORA-630

ADJUSTABLE SUSPENSION PLATE

PRODUCT	ITEM CODE
For 8" Flue Pipe and Ceiling Pitch is 0° to 45°	FCS-SUSPLT-04-IND-BLK

FIXED SUSPENSION PLATE

PRODUCT	ITEM CODE
For a Fireplace that Uses: - 10" or 12" Pipe	Square - FCS-SUSPLT-SQ-P- (degree of pitch)
OR	Round - FCS-SUSPLT-RND-P-
- 8" Pipe and Ceiling Pitch of > 45°	(degree of pitch)

FINISHING PLATE / COVER DISK

PRODUCT	ITEM CODE
For Flat Ceiling	FCS-NSUSCD-P-0
For Pitched Ceiling	FCS-NSUSCD-P-(degree of pitch)

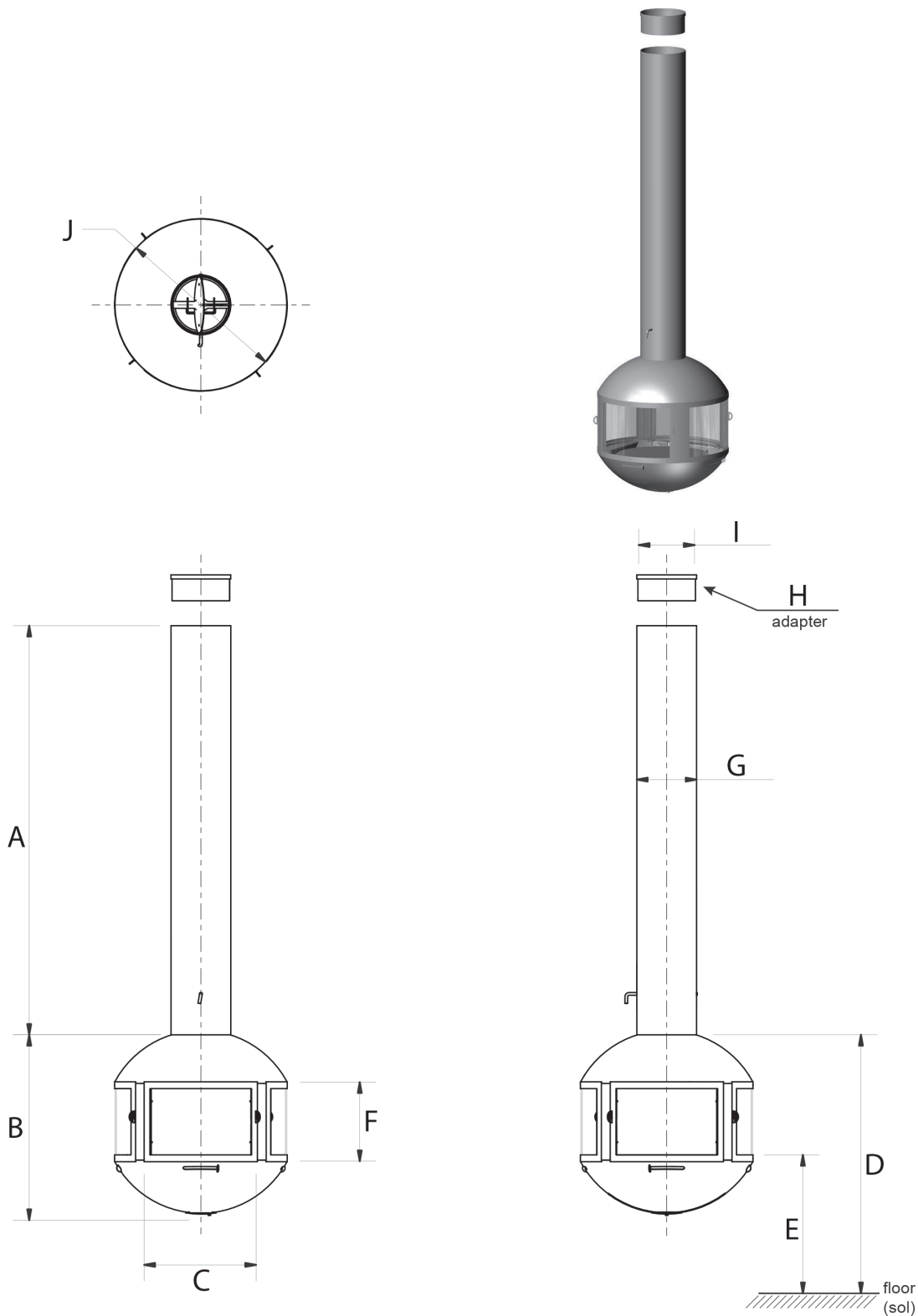
ADDITIONAL FLUE PIPE

PRODUCT	ITEM CODE
Round Flue 8" OD 2' Length	FCS-FLUE-RND-8OD-2
Round Flue 8" OD 4' Length	FCS-FLUE-RND-8OD-4
Round Flue 8" OD 6' Length	FCS-FLUE-RND-8OD-6

OPTIONAL ACCESSORIES

PRODUCT	ITEM CODE
WALL BRACKET	FCS-WALL-BRKT
ROTATION RESTRICTER	FCS-LTD-ROT
BLACK SPRAY PAINT 150 ML	FCS-PT-FBP-Small
BLACK SPRAY PAINT 400 ML	FCS-PT-FBP-Large

CUT SHEET



	A	B	C	D	E	F	G	H	I	J
INCH	70 1/16"	26 3/4"	16 1/8"	37 3/8"	20"	11 7/16"	Ø 8 5/8"	8"	Ø 8 1/16"	Ø 24 13/16"
[MILLIMETER]	[1795]	[680]	[410]	[950]	[500]	[290]	[Ø 219]	[203]	[Ø 205]	[Ø 630]

This information is for reference only. Please consult the Installation Manual for all details prior to making any design decisions. Conversions from millimeters are rounded to the nearest fraction.



DWG and RFA files are available by clicking [HERE](#) or