

# AGORAFOCUS 630 SUSPENDED FIREPLACE



European Home

Manufacturer and Importer of high-end Gas, Wood and Electric Fireplaces



Iconic designs imported from Southern France



## SPECIFICATIONS

<b>FUEL TYPE</b>	Wood
<b>NOMINAL HEAT OUTPUT</b>	11 KW
<b>CARBON DIOXIDE OUTPUT</b>	0.09%
<b>VIEWABLE OPENING</b>	24 ¾" Diameter x 11 ½" H
<b>HEARTH WEIGHT</b>	67 lbs.
<b>FLUE WEIGHT</b>	11 lbs.
<b>ANCHOR PLATE WEIGHT</b>	41 lbs.
<b>MINIMUM CEILING HEIGHT</b>	9'
<b>VENTING</b>	Natural Vent - 8" Inside Diameter (Class A Pipe)
<b>CERTIFICATION</b>	UL 737-1996 (U.S.A.) - Vented Wood Fireplaces (U.S. Only)
<b>EFFICIENCY</b>	78.3%

\*\*\* THIS MODEL IS NOT AVAILABLE IN CANADA \*\*\*

# PRODUCT OPTIONS & ACCESSORIES

## FIREPLACE MODEL

PRODUCT	ITEM CODE
AGORAFOCUS 630 - Black Finish	FCS-FP-AGORA-630

## ADJUSTABLE SUSPENSION PLATE

PRODUCT	ITEM CODE
For 8" Flue Pipe and Ceiling Pitch is 0° to 45°	FCS-SUSPLT-04-IND-BLK

## FIXED SUSPENSION PLATE

PRODUCT	ITEM CODE
For a Fireplace that Uses: - 10" or 12" Pipe	Square - FCS-SUSPLT-SQ-P- ( <i>degree of pitch</i> )
OR	Round - FCS-SUSPLT-RND-P-
- 8" Pipe and Ceiling Pitch of > 45°	( <i>degree of pitch</i> )

## FINISHING PLATE / COVER DISK

PRODUCT	ITEM CODE
For Flat Ceiling	FCS-NSUSCD-P-0
For Pitched Ceiling	FCS-NSUSCD-P-( <i>degree of pitch</i> )

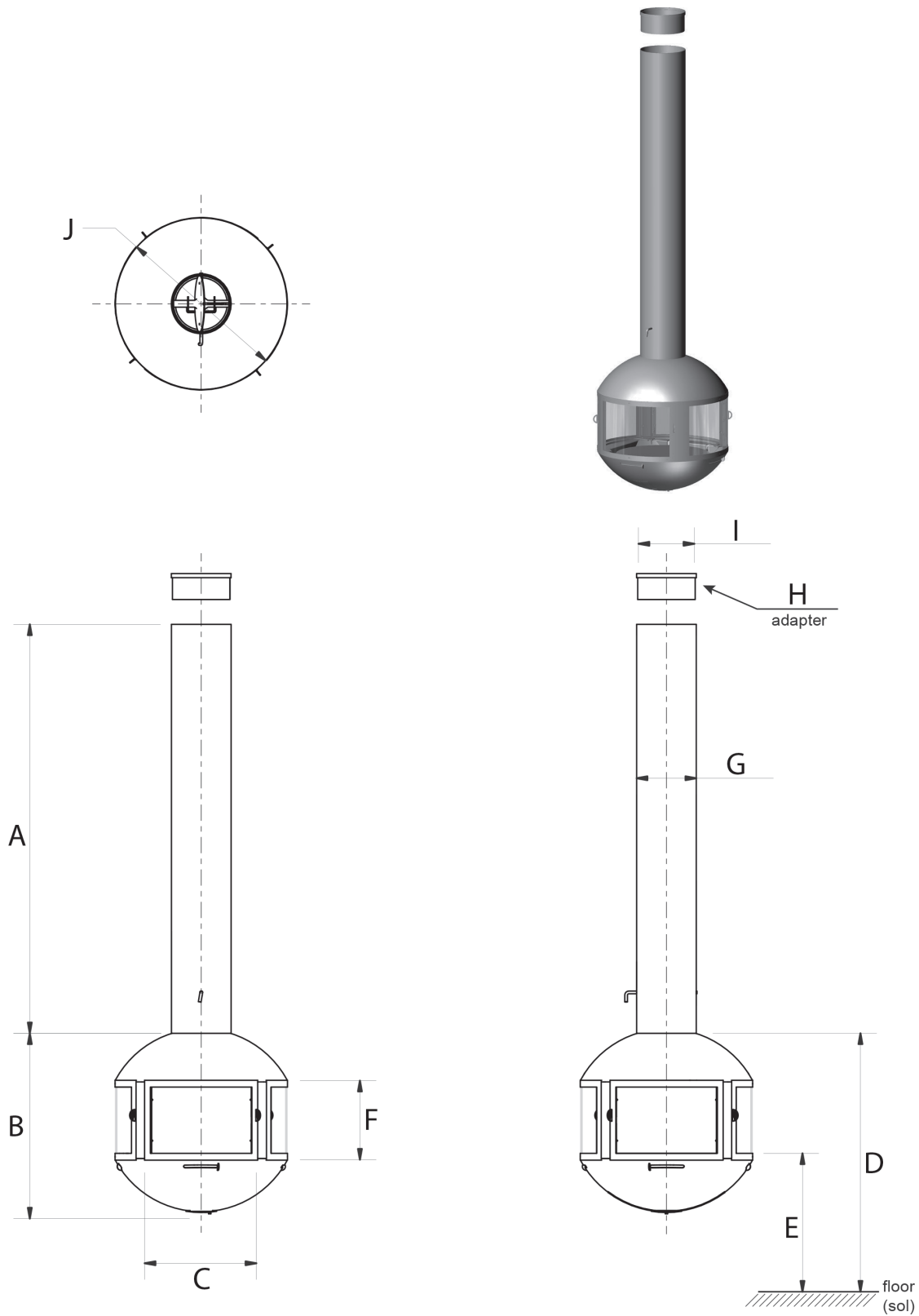
## ADDITIONAL FLUE PIPE

PRODUCT	ITEM CODE
Round Flue 8" OD 2' Length	FCS-FLUE-RND-8OD-2
Round Flue 8" OD 4' Length	FCS-FLUE-RND-8OD-4
Round Flue 8" OD 6' Length	FCS-FLUE-RND-8OD-6

## OPTIONAL ACCESSORIES

PRODUCT	ITEM CODE
WALL BRACKET	FCS-WALL-BRKT
ROTATION RESTRICTER	FCS-LTD-ROT
BLACK SPRAY PAINT 150 ML	FCS-PT-FBP-Small
BLACK SPRAY PAINT 400 ML	FCS-PT-FBP-Large

# CUT SHEET



	A	B	C	D	E	F	G	H	I	J
<b>INCH</b>	70 1/16"	26 3/4"	16 1/8"	37 3/8"	20"	11 7/16"	Ø 8 5/8"	8"	Ø 8 1/16"	Ø 24 13/16"
<b>[MILLIMETER]</b>	[1795]	[680]	[410]	[950]	[500]	[290]	[Ø 219]	[203]	[Ø 205]	[Ø 630]