

EMIFOCUS INDOOR WALL MOUNTED FIREPLACE



European Home

Manufacturer and Importer of high-end Gas, Wood and Electric Fireplaces



Iconic designs imported from Southern France



SPECIFICATIONS

FUEL TYPE	Wood, Natural Gas, or Liquid Propane
HEAT OUTPUT (Natural Gas)	27,000 - 42,000 BTU/hr
HEAT OUTPUT (Liquid Propane)	27,000 - 43,500 BTU/hr
VIEWABLE OPENING	24"W x 11 1/2" H
HEARTH WEIGHT	115 lbs.
FLUE WEIGHT	11 lbs.
ANCHOR PLATE WEIGHT	22 lbs.
MINIMUM CEILING HEIGHT	8', 6"
VENTING	Natural Vent - 8" Inside Diameter (Class A Pipe)
CERTIFICATION	UL 737-1996 (U.S.A.) & ULC-S627-00 (CAN) - Vented Wood Fireplaces
NOMINAL HEAT OUTPUT (Wood)	13.5 KW
CARBON DIOXIDE OUTPUT (Wood)	0.39%
EFFICIENCY	57%

PRODUCT OPTIONS & ACCESSORIES

FIREPLACE MODEL

PRODUCT	ITEM CODE
EMIFOCUS - Wood	FCS-FP-EMI-VO

BURNER ASSEMBLY

PRODUCT	ITEM CODE
EMIFOCUS - Vented Natural Gas (NG)	FCS-GBK-EMI-NG-02
EMIFOCUS - Vented Liquid Propane (LP)	FCS-GBK-EMI-LP-02

FINISHING PLATE / COVER DISK WITH COLLAR

PRODUCT	ITEM CODE
For Flat Ceiling	FCS-NSUSCD-Collar-P-0
For Pitched Ceiling	FCS-NSUSCD-Collar-P-(<i>enter pitch</i>)

ADDITIONAL FLUE PIPE

PRODUCT	ITEM CODE
Round Flue 8" OD 2' Length	FCS-FLUE-RND-8OD-2
Round Flue 8" OD 4' Length	FCS-FLUE-RND-8OD-4
Round Flue 8" OD 6' Length	FCS-FLUE-RND-8OD-6

FIRE MEDIA



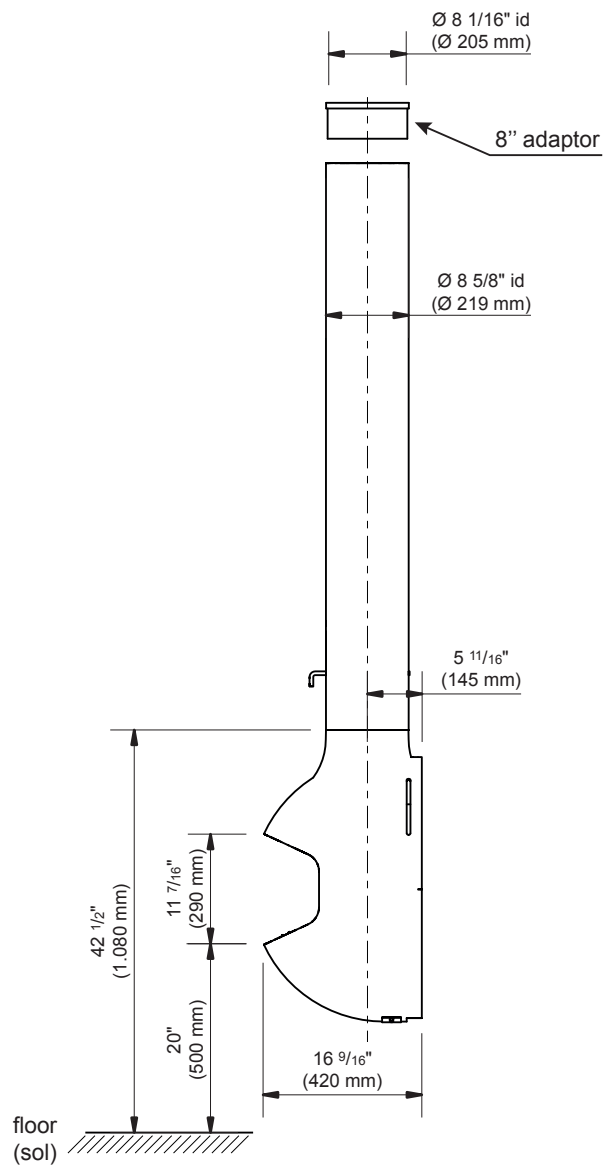
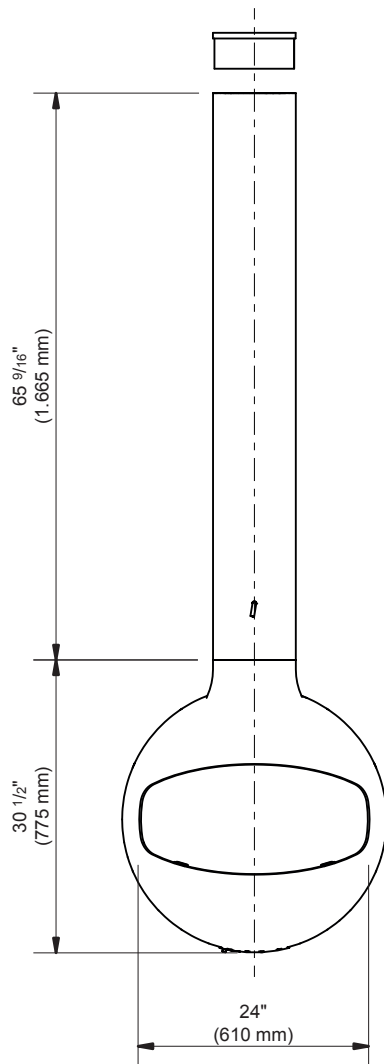
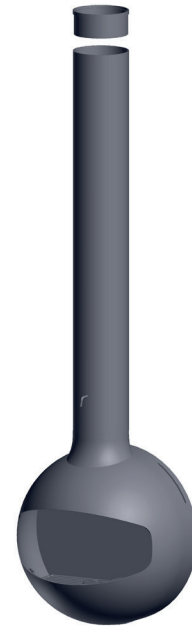
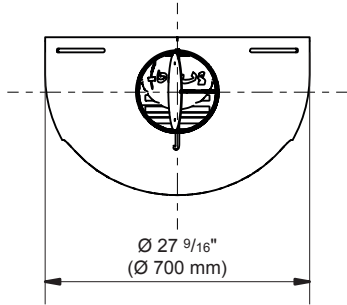
LOG SET

PRODUCT	ITEM CODE
LOG SET for NG & LP only	FCS-FM-LS

OPTIONAL ACCESSORIES

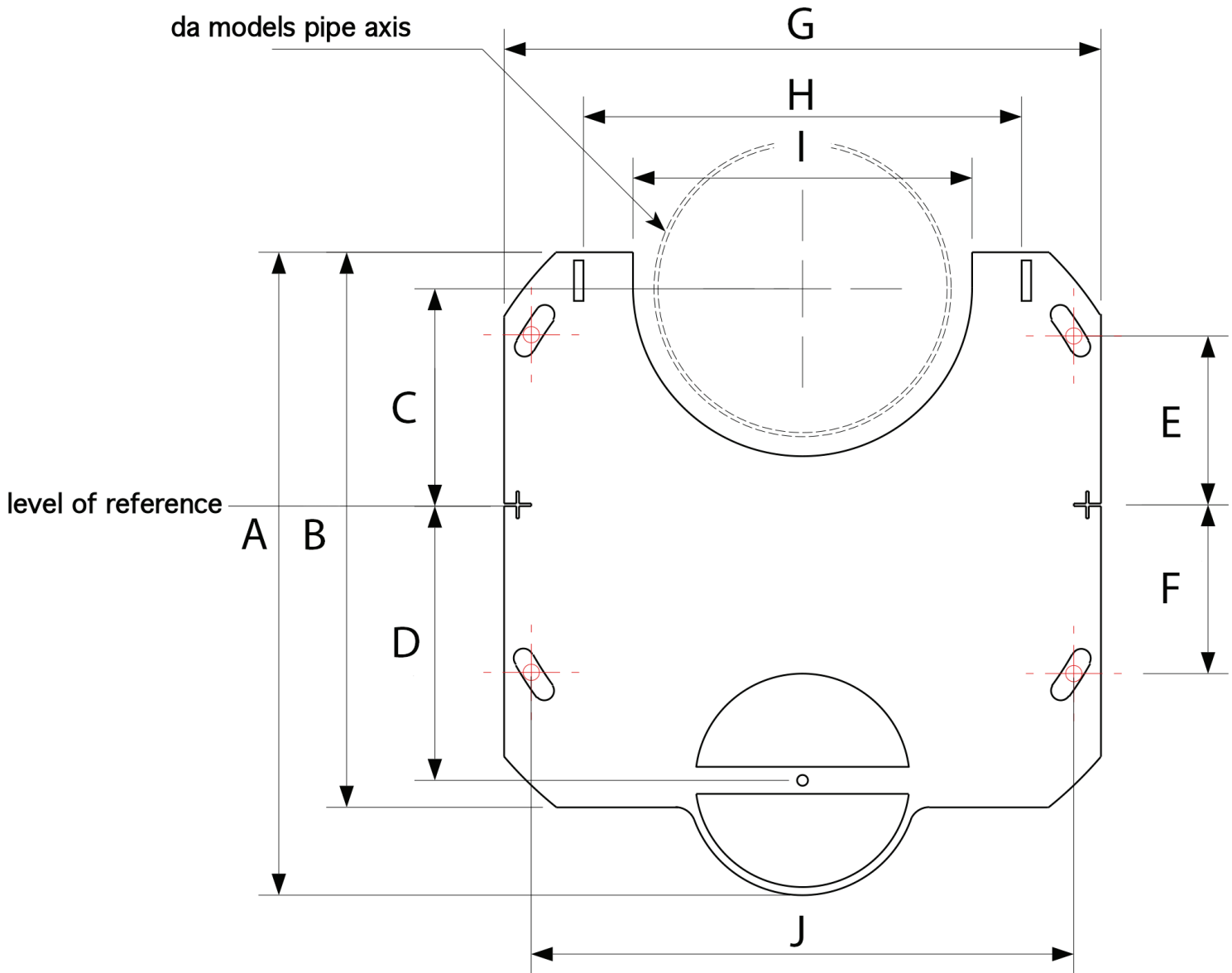
PRODUCT	ITEM CODE
BLACK SPRAY PAINT 150 ML	FCS-PT-FBP-Small
BLACK SPRAY PAINT 400 ML	FCS-PT-FBP-Large

CUT SHEET



MOUNTING PLATE

For **EMIFOCUS** and **PAXFOCUS** Models



LETTER	A	B	C	D	E	F	G	H	I	J
INCHES	18 3/4"	16 3/16"	6 5/16"	8"	5"	5"	17 5/16"	12 3/4"	10"	15 3/4"
[MILLIMETER]	[476]	[411]	[161]	[203]	[125]	[125]	[440]	[323]	[250]	[400]