

EMIFOCUS OUTDOOR WALL MOUNTED FIREPLACE



European Home

Manufacturer and Importer of high-end Gas, Wood and Electric Fireplaces



Iconic designs imported from Southern France



SPECIFICATIONS

FUEL TYPE	Wood
VIEWABLE OPENING	24"W x 11 ½" H
HEARTH WEIGHT	115 lbs.
FLUE WEIGHT	11 lbs.
ANCHOR PLATE WEIGHT	22 lbs.
MINIMUM CEILING HEIGHT	9'
VENTING	Natural Vent - 8" Inside Diameter (Class A Pipe)
FINISH	Anti-Corrosion Black (Standard) Hematite Rust (Optional)

PRODUCT OPTIONS & ACCESSORIES

FIREPLACE MODEL

AVAILABLE IN BLACK (STANDARD) OR HEMATITE RUST (OPTIONAL)

PRODUCT	ITEM CODE
EMIFOCUS	FCS-WD-OD-EMI-VO

FINISHING PLATE / COVER DISK WITH COLLAR

PRODUCT	ITEM CODE
For Flat Ceiling	FCS-NSUSCD-Collar-P-0
For Pitched Ceiling	FCS-NSUSCD-Collar-P-(<i>degree of pitch</i>)

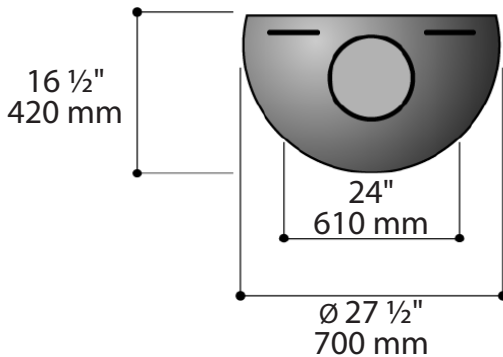
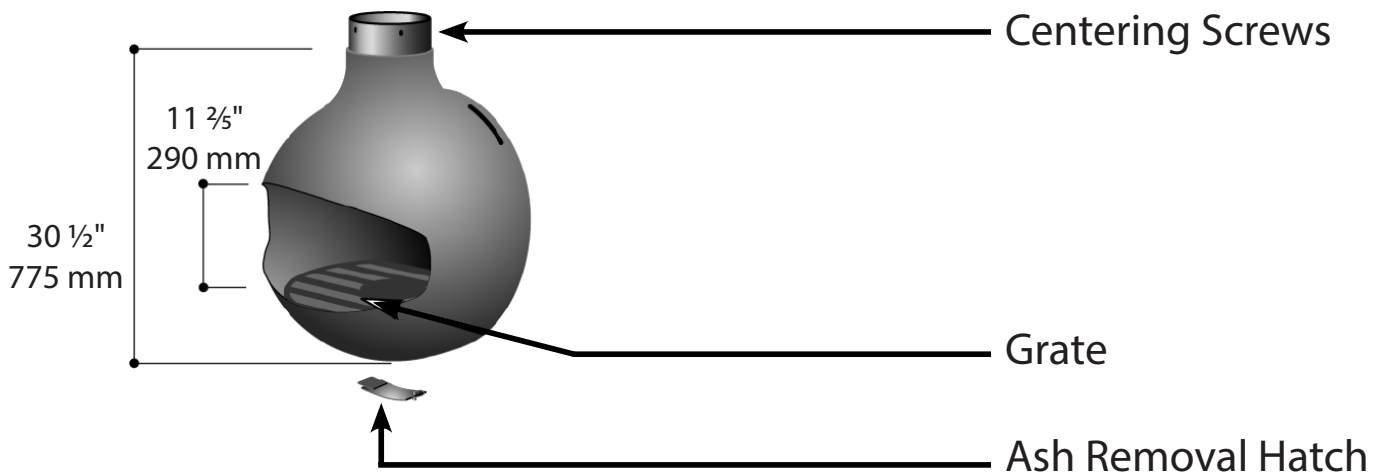
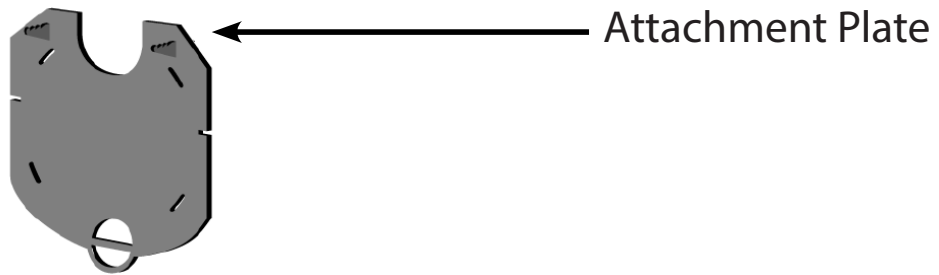
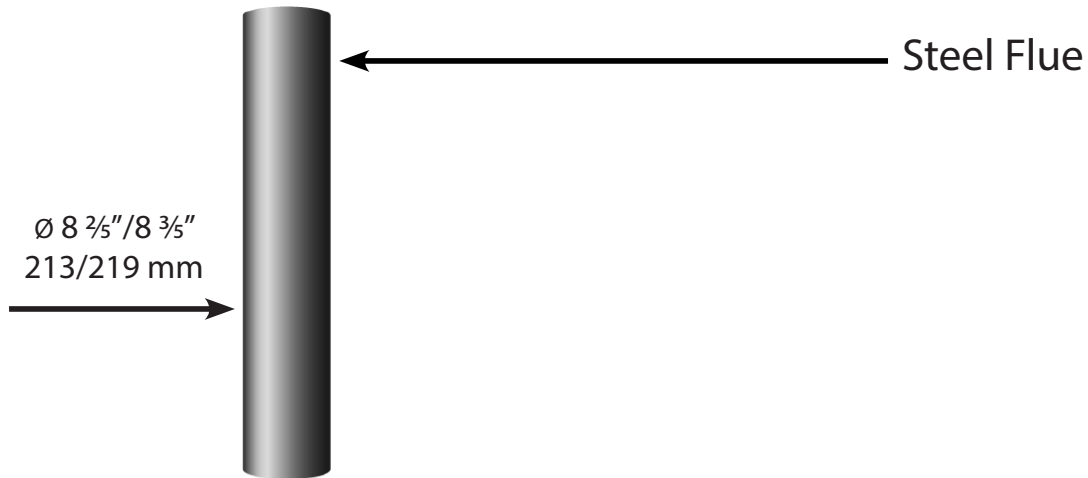
ADDITIONAL FLUE PIPE

PRODUCT	ITEM CODE
Round Flue 8" OD 2' Length	FCS-FLUE-RND-8OD-2
Round Flue 8" OD 4' Length	FCS-FLUE-RND-8OD-4
Round Flue 8" OD 6' Length	FCS-FLUE-RND-8OD-6

OPTIONAL ACCESSORIES

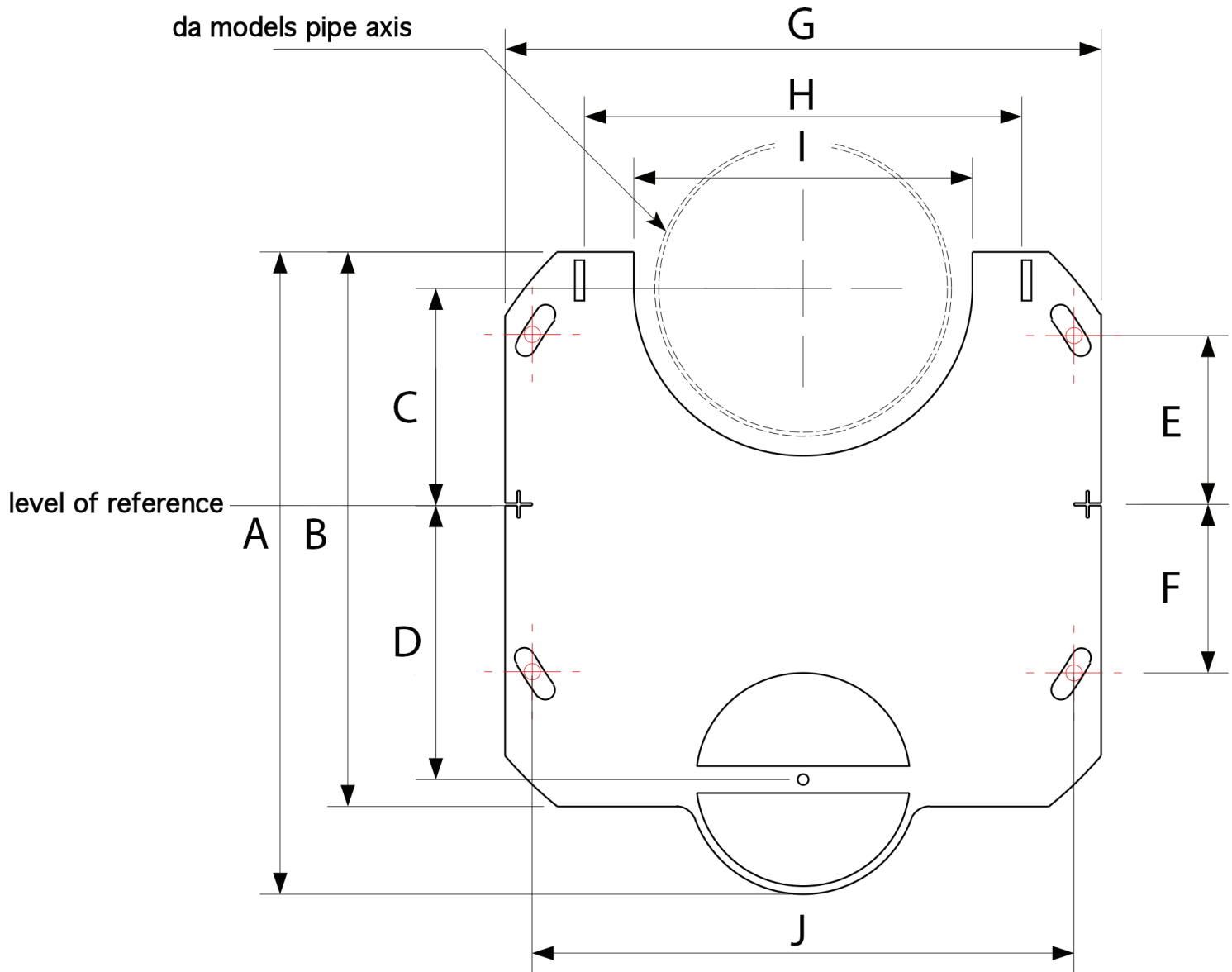
PRODUCT	ITEM CODE
BLACK SPRAY PAINT 150 ML	FCS-PT-FBP-Small
BLACK SPRAY PAINT	FCS-PT-FBP-Large

CUT SHEET



MOUNTING PLATE

For **EMIFOCUS** and **PAXFOCUS** Models



LETTER	A	B	C	D	E	F	G	H	I	J
INCHES	18 3/4"	16 3/16"	6 5/16"	8"	5"	5"	17 5/16"	12 3/4"	10"	15 3/4"
[MILLIMETER]	[476]	[411]	[161]	[203]	[125]	[125]	[440]	[323]	[250]	[400]