

ERGOFOCUS INDOOR SUSPENDED FIREPLACE



European Home

Manufacturer and Importer of high-end Gas, Wood and Electric Fireplaces



Iconic designs imported from Southern France



SPECIFICATIONS

FUEL TYPE	Wood
NOMINAL HEAT OUTPUT	5 KW
CARBON DIOXIDE OUTPUT	0.12%
VIEWABLE OPENING	29 1/8" W x 7 7/8" H
HEARTH WEIGHT	116 lbs.
FLUE WEIGHT	10.6 lbs. per foot
ANCHOR PLATE WEIGHT	42 lbs.
MINIMUM CEILING HEIGHT	8'
VENTING	Natural Vent - 8" Inside Diameter (Class A Pipe)
CERTIFICATION	UL 737-1996 (U.S.A.) & ULC-S627-00 (CAN) - Vented Wood Fireplaces
EFFICIENCY	46.1%

PRODUCT OPTIONS & ACCESSORIES

FIREPLACE MODEL

PRODUCT	ITEM CODE
ERGOFOCUS - Black Finish	FCS-FP-ERGO
ERGOFOCUS - White Finish	FCS-FP-ERGO-WHITE

ADJUSTABLE SUSPENSION PLATE

PRODUCT	ITEM CODE
For 8" Flue Pipe and Ceiling Pitch is 0° to 45°	Black - FCS-SUSPLT-04-IND-BLK White - FCS-SUSPLT-04-IND-WHT

FIXED SUSPENSION PLATE

PRODUCT	ITEM CODE
For a Fireplace that Uses: - 10" or 12" Pipe OR - 8" Pipe and Ceiling Pitch of > 45°	FCS-SUSPLT-01-SQ

FINISHING PLATE / COVER DISK

PRODUCT	ITEM CODE
For Flat Ceiling	FCS-NSUSCD-P-0
For Pitched Ceiling	FCS-NSUSCD-P-(enter pitch)

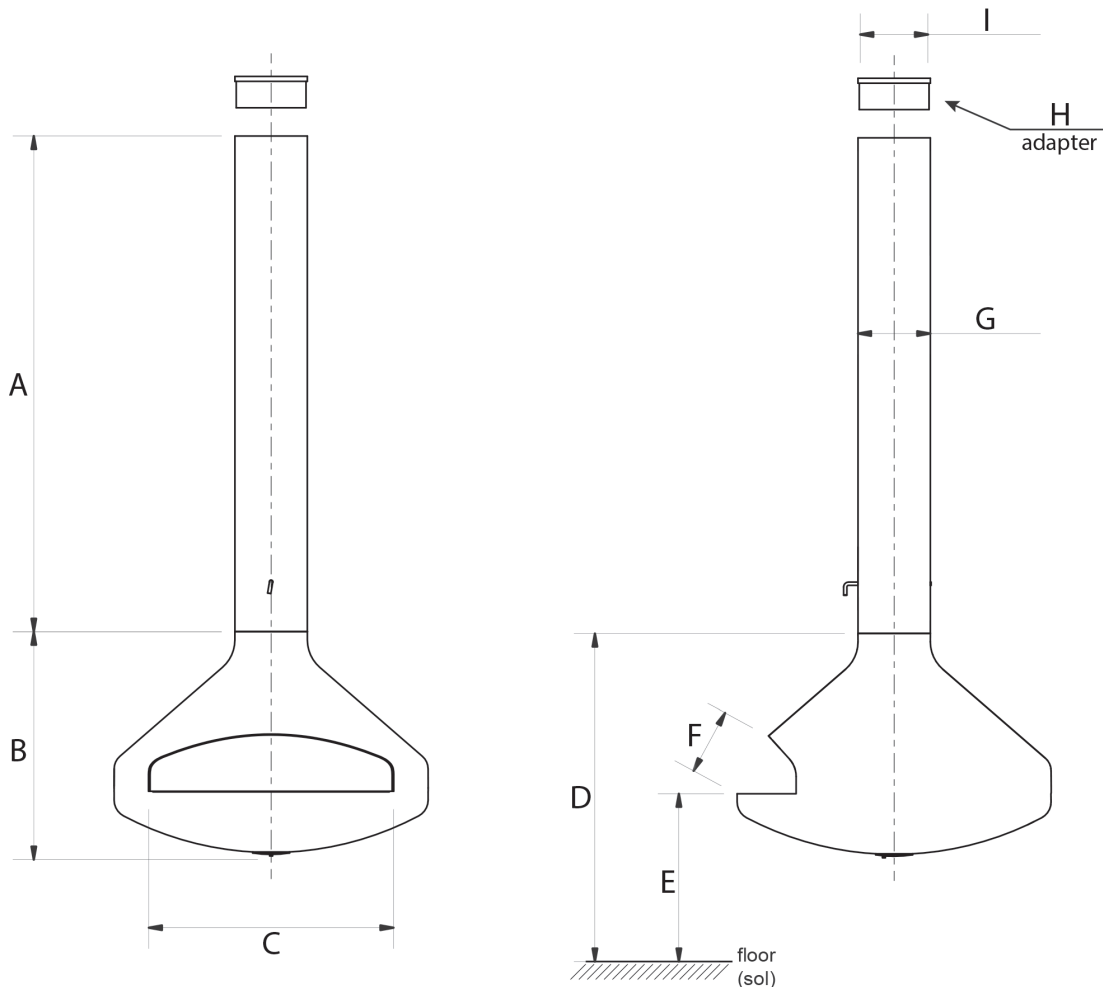
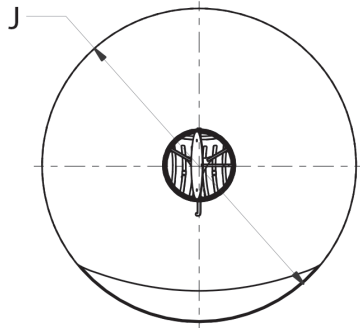
ADDITIONAL FLUE PIPE

PRODUCT	ITEM CODE
Round Flue 8" OD 2' Length	FCS-FLUE-RND-8OD-2
Round Flue 8" OD 4' Length	FCS-FLUE-RND-8OD-4
Round Flue 8" OD 6' Length	FCS-FLUE-RND-8OD-6

OPTIONAL ACCESSORIES

PRODUCT	ITEM CODE
WALL BRACKET	FCS-WALL-BRKT
ROTATION RESTRICTER	FCS-LTD-ROT
BLACK SPRAY PAINT 150 ML	FCS-PT-FBP-Small
BLACK SPRAY PAINT 400 ML	FCS-PT-FBP-Large
WHITE SPRAY PAINT 150 ML	FCS-PT-WHTP

CUT SHEET



	A	B	C	D	E	F	G	H	I	J
INCH	67 1/8"	27 3/16"	29 1/8"	40 1/2"	20"	7 7/8"	Ø 8 5/8"	8"	Ø 8 1/16"	Ø 37 3/8"
[MILLIMETER]	[1705]	[690]	[740]	[1040]	[500]	[199]	[Ø 219]	[203]	[Ø 205]	[Ø 950]

This information is for reference only. Please consult the Installation Manual for all details prior to making any design decisions.
Conversions from millimeters are rounded to the nearest fraction.



DWG and RFA files are available by clicking [HERE](#) or