

GAS STONES NATURAL VENT BURNER



EuropeanHome

Manufacturer and Importer of high-end Gas, Wood and Electric Fireplaces



SPECIFICATIONS

GAS TYPE	Natural Gas or Propane
HEAT OUTPUT (NATURAL GAS)	27,000 - 42,000 BTU/hr
HEAT OUTPUT (LIQUID PROPANE)	27,000 - 43,500 BTU/hr
VENTING	Existing Chimney
UNIT SIZE	24" Model - 24" W x 12" D x 6 1/16" H 30" Model - 30" W x 12" D x 6 1/16" H
FLAME ADJUSTMENT	Yes
BASE	Black or White
REMOTE CONTROL	Yes
ELECTRIC IGNITION	Yes
CERTIFICATION	ANSI Z21.60b CSA 2.26b CGA 2.17-M911
MASS APPROVAL CODE	G3-0316-372
EFFICIENCY	32% Natural Gas 39% Liquid Propane

PRODUCT OPTIONS & ACCESSORIES

FIREPLACE MODEL

PRODUCT	ITEM CODE
Gas Stones NV - Natural Gas	Gas Stones-GSBM-NG
Gas Stones NV - Liquid Propane	Gas Stones-GSBM-LP

BURNER COVER

PRODUCT	ITEM CODE
24" Wide - Black	EH-FB-BLK-24-02
24" Wide - White	EH-FB-WHT-24-03
30" Wide - Black	EH-FB-BLK-30
30" Wide - White	EH-FB-WHT-30

FIRE MEDIA



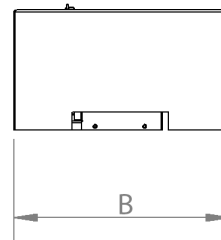
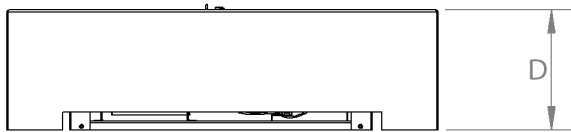
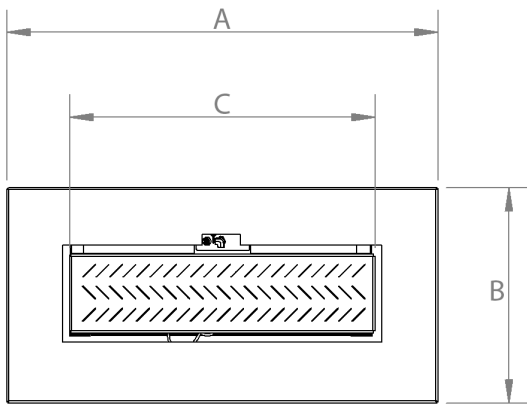
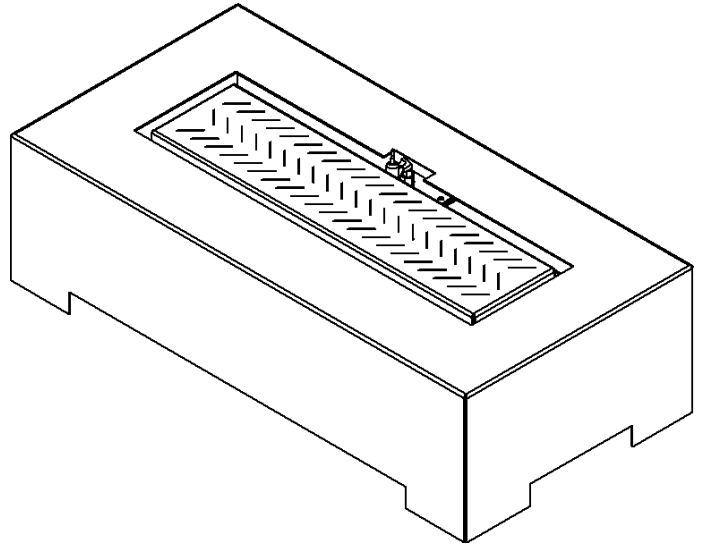
BEACH STONES



DOVER STONES

PRODUCT	ITEM CODE
BEACH STONES for 24" Model	EH-FM-BS-GS-24
BEACH STONES for 30" Model	EH-FM-BS-GS-30
DOVER STONES for 24" Model	EH-FM-DS-GS-24
DOVER STONES for 30" Model	EH-FM-DS-GS-24

CUT SHEET



MODEL	A	B	C	D
GAS STONES 24"	24" [610]	12" [305]	17" [432]	6 1/16" [170]
GAS STONES 30"	30" [762]	12" [305]	17" [432]	6 1/16" [170]

This information is for reference only. Please consult the Installation Manual for all details prior to making any design decisions. Conversions from millimeters are rounded to the nearest fraction.

A DWG file is available by clicking [HERE](#) or

