

GAS STONES VENT-FREE BURNER



EuropeanHome

Manufacturer and Importer of high-end Gas, Wood and Electric Fireplaces



SPECIFICATIONS

GAS TYPE	Natural Gas
HEAT OUTPUT	27,000 - 39,000 BTU/hr
VENTING	Vent-Free
UNIT SIZE	24" - 24"W x 12" D x 6 1/16" H 30" - 30"W x 12" D x 6 1/16" H
FLAME ADJUSTMENT	Yes
BASE	Black or White
REMOTE CONTROL	Yes
ELECTRIC IGNITION	Yes
CERTIFICATION	ANSI Z21.11.2
MASS APPROVAL CODE	G3-1117-155
EFFICIENCY	99%

PRODUCT OPTIONS & ACCESSORIES

FIREPLACE MODEL

PRODUCT	ITEM CODE
Gas Stones - Vent-Free	Gas Stones-V-VFBM-NG

BURNER COVER

PRODUCT	ITEM CODE
24" Wide - Black	EH-FB-BLK-24-02
24" Wide - White	EH-FB-WHT-24-03
30" Wide - Black	EH-FB-BLK-30
30" Wide - White	EH-FB-WHT-30

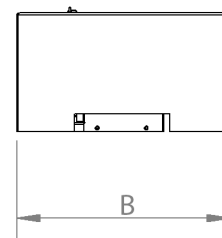
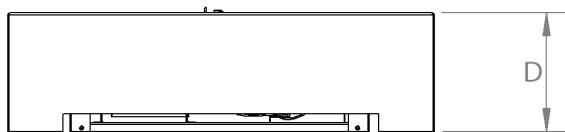
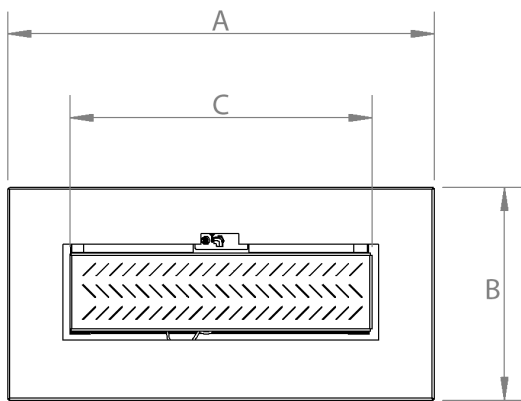
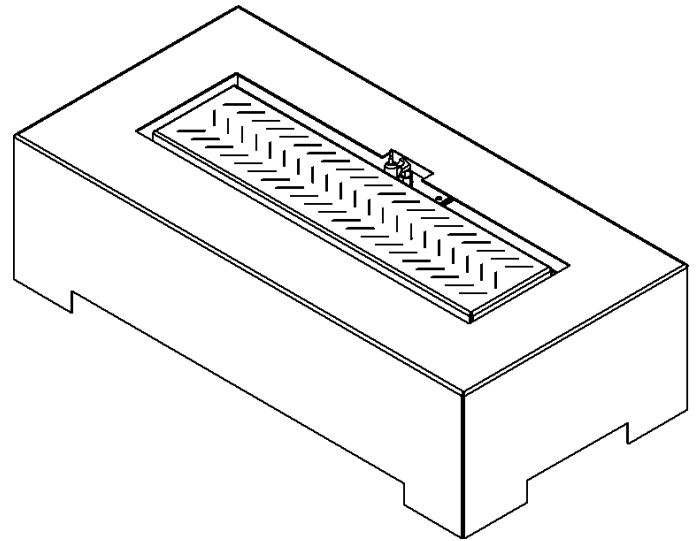
FIRE MEDIA



BEACH STONES

PRODUCT	ITEM CODE
BEACH STONES for 24" Model	EH-FM-BS-GS-24
BEACH STONES for 30" Model	EH-FM-BS-GS-30

CUT SHEET



MODEL	A	B	C	D
GAS STONES 24"	24" [610]	12" [305]	17" [432]	6 1/16" [170]
GAS STONES 30"	30" [762]	12" [305]	17" [432]	6 1/16" [170]