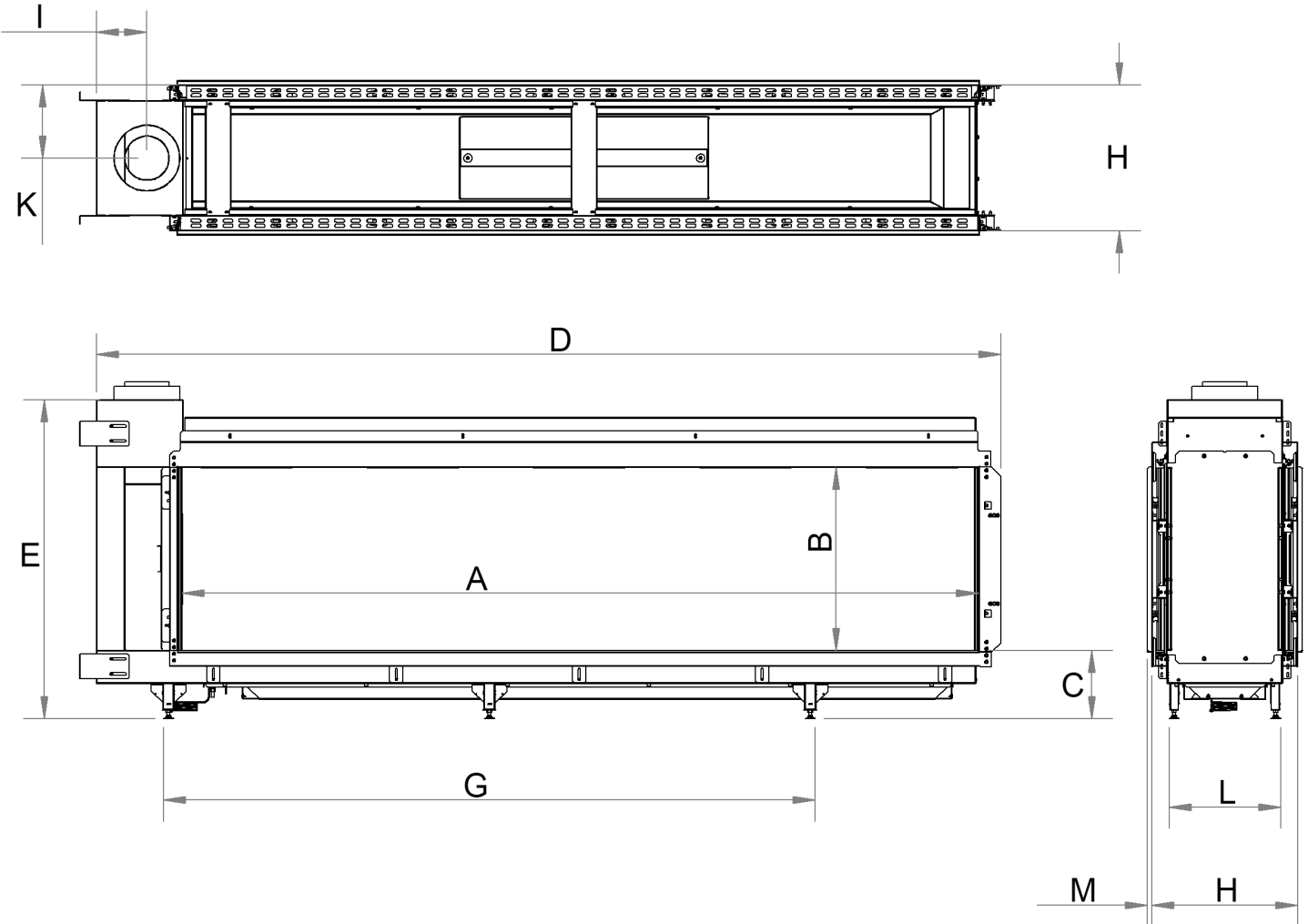
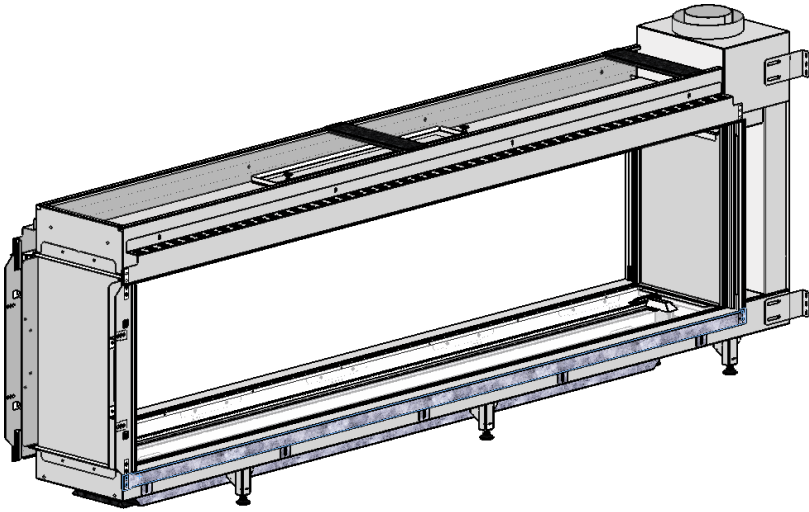


manufactured by  
**Element4 B.V.**

# Tenore 240H Cut Sheet

distributed by  
**EuropeanHome**

06/2021



| LETTER        | A      | B     | C     | D      | E     | G      | H     | I     | K     | L     | M    |
|---------------|--------|-------|-------|--------|-------|--------|-------|-------|-------|-------|------|
| INCHES        | 94 ¼   | 21 ⅝  | 8 ⅙   | 107 ⅛  | 37 ¾  | 77 ⅜   | 17 ¼  | 6     | 8 ⅝   | 13 ⅜  | ½    |
| [MILLIMETERS] | [2395] | [550] | [205] | [2721] | [959] | [1960] | [438] | [152] | [219] | [336] | [13] |

This information is for reference only. Please consult the Installation Manual for all details prior to making any design decisions.  
Conversions from millimeters are rounded to the nearest fraction. A DWG file is available at [www.europeanhome.com](http://www.europeanhome.com)