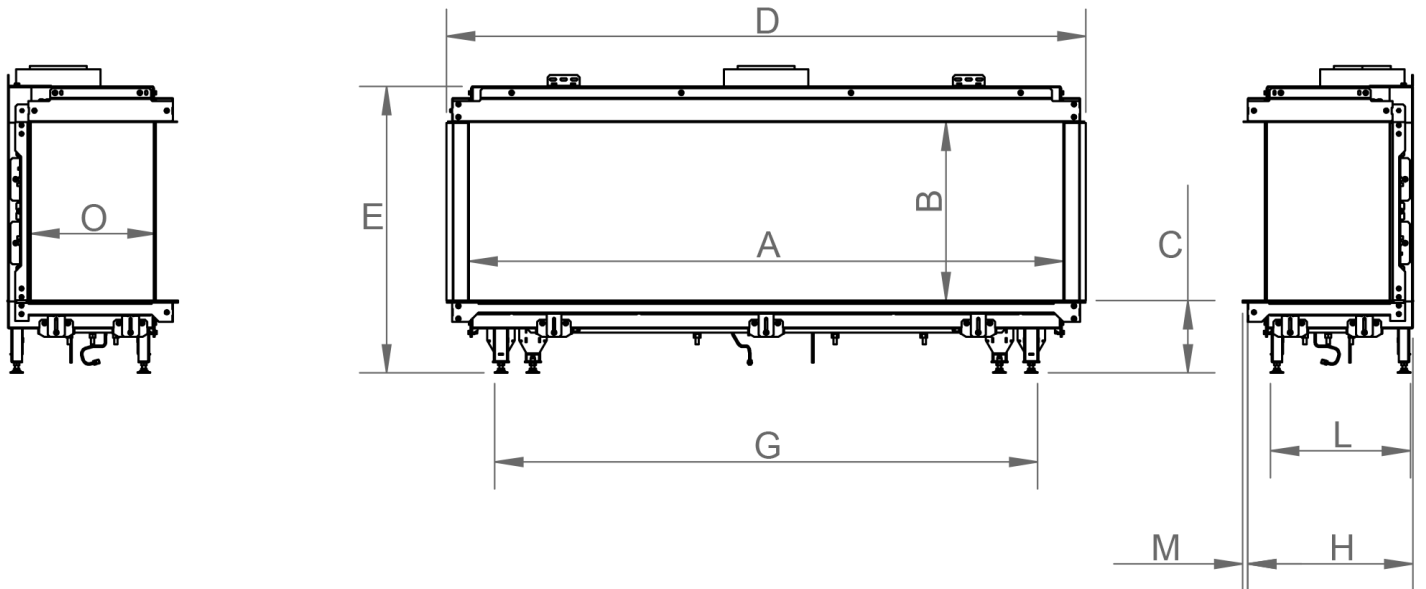
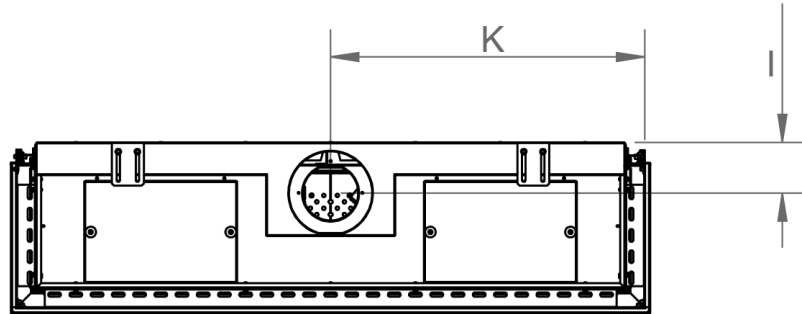
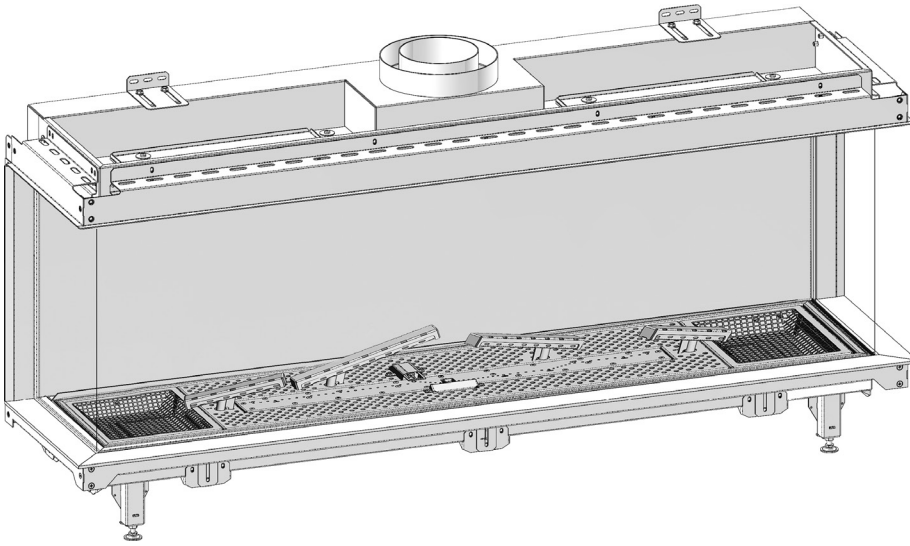


manufactured by  
**Element4 B.V.**

# Summum 140 3/S Cut Sheet

distributed by  
**EuropeanHome**

06/2021



LETTER	A	B	C	D	E	G	H	I	K	L	M	O
INCHES	54 <sup>7</sup> / <sub>16</sub>	16 <sup>9</sup> / <sub>16</sub>	6 <sup>11</sup> / <sub>16</sub>	58 <sup>15</sup> / <sub>16</sub>	26 <sup>9</sup> / <sub>16</sub>	50 <sup>3</sup> / <sub>8</sub>	15 <sup>5</sup> / <sub>16</sub>	4 <sup>11</sup> / <sub>16</sub>	29 <sup>1</sup> / <sub>8</sub>	13	<sup>1</sup> / <sub>2</sub>	11 <sup>5</sup> / <sub>8</sub>
[MILLIMETERS]	[1383]	[420]	[170]	[1497]	[674]	[1280]	[389]	[119]	[740]	[330]	[12]	[295]

This information is for reference only. Please consult the Installation Manual for all details prior to making any design decisions.  
Conversions from millimeters are rounded to the nearest fraction. A DWG file is available at [www.europeanhome.com](http://www.europeanhome.com)