

# E-FX 1300 ELECTRIC FIREPLACE



European Home

Manufacturer and Importer of high-end Gas, Wood and Electric Fireplaces



Award-winning designs  
imported from the UK



SINGLE-SIDED

## SPECIFICATIONS

<b>FLAME EFFECT</b>	Powered by Electricity
<b>POWER SUPPLY</b>	15 Amp, 120 Volt Circuit
<b>WEIGHT</b>	132 lbs.
<b>VIEWABLE OPENING</b>	51 1/2" W x 14" H
<b>HEAT OUTPUT</b>	1,500W (5,115 BTU/hr)
<b>CONFIGURATIONS</b>	3-Sided Corner Style Single-Sided
<b>VENTING</b>	N/A
<b>FRONT</b>	UHD Non-Reflective Glass
<b>INTERIOR</b>	Non-Reflective Glass
<b>REMOTE CONTROL</b>	Remote, Google Home, Alexa
<b>CERTIFICATION</b>	UL 2021:2015Ed.4+R:02Feb2021, CAN/CSA E60335-2-30:2013Ed.3+A1;A2

# PRODUCT OPTIONS & ACCESSORIES



- Ultra Black 3-dimensional realism.
- Pre-set and user favorite programmable animations.
- Customizable colors.
- Variable flame speed.
- Variable lighting control.
- Fully animated and illuminated LED log effects.
- Remote and App controlled.
- Manual keypad.
- Works with Google Home and Amazon Alexa.
- Hidden heater for optional heat.

ALL E SERIES ELECTRIC FIREPLACES SHIP AS A 3-SIDED MODEL WITH **FIRE MEDIA**  
THAT CAN EASILY TRANSFORM IT INTO A CORNER STYLE OR  
SINGLE-SIDED UNIT.

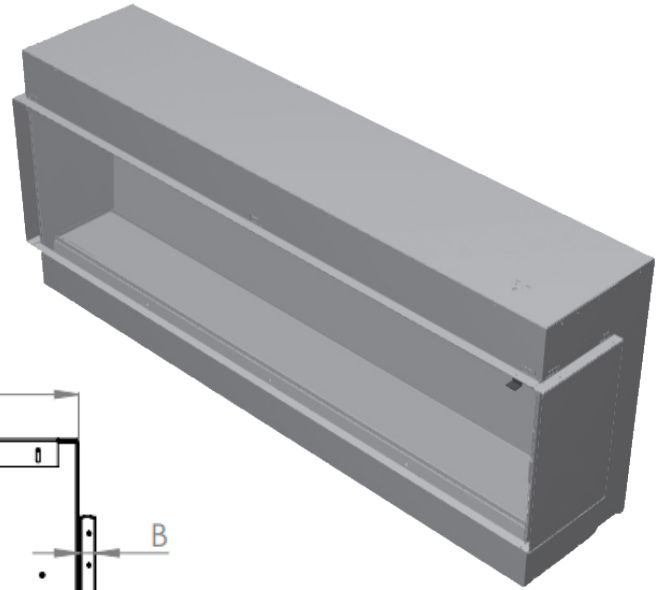
## FIREPLACE MODEL

PRODUCT	ITEM CODE
E-FX 1000	FLR-FP-EFX-1300

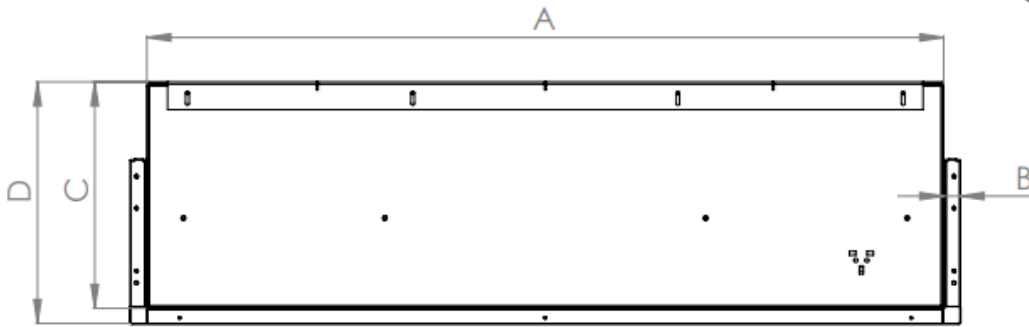


LOGS with ANIMATED EFFECTS

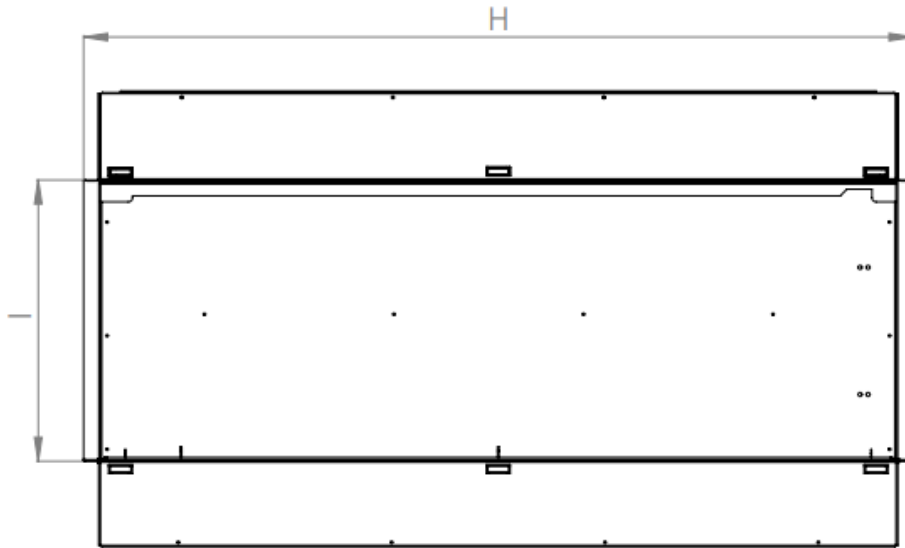
# CUT SHEET



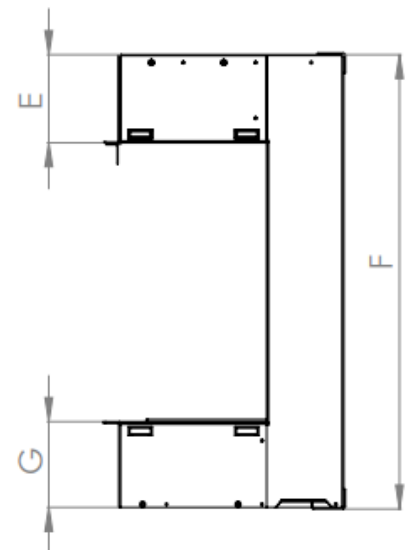
TOP VIEW



FRONT VIEW



SIDE VIEW



LETTERS	A	B	C	D	E	F	G	H	I
INCHES	51 1/2"	3/4"	11 1/4"	12"	4 1/2"	22 1/2"	4 3/8"	53"	14"
[MILLIMETERS]	[1305]	[20]	[285]	[305]	[113]	[574]	[110]	[1342]	[355]

All products are protected by patents. Registered design and intellectual property rights. Flamerite Fires Ltd will Protect these rights.

All specifications are correct at time of publishing and are subject to change.  
Issues No. 1

CAD files are available by clicking [HERE](#) or



# E-FX 1300 ELECTRIC FIREPLACE

