

ERGOFOCUS GAS SUSPENDED FIREPLACE



European Home

Manufacturer and Importer of high-end Gas, Wood and Electric Fireplaces



Iconic designs imported from Southern France



SPECIFICATIONS

FUEL TYPE	Natural Gas or Propane
HEAT OUTPUT (NATURAL GAS)	17,000 - 54,000 BTU/hr
HEAT OUTPUT (LIQUID PROPANE)	11,000 – 42,000 BTU/hr
VIEWABLE OPENING	29 1/8" W x 6 7/8" H
HEARTH WEIGHT	188 lbs.
FLUE WEIGHT	10.6 lbs. per foot
VENTING	Natural Vent - 8" Inside Diameter (Class A Pipe)
FLAME ADJUSTMENT	Yes
REMOTE CONTROL	Yes
ELECTRIC IGNITION	Yes
CERTIFICATION	ANSI Z21 50, ANSI Z223.1/NFPA 54, CSA 2.22, CSA B149.1

PRODUCT OPTIONS & ACCESSORIES

FIREPLACE MODEL

PRODUCT	ITEM CODE
ERGOFOCUS GAS - Black Finish	FCS-FP-ERGO-GAS-(NG or LP)
ERGOFOCUS GAS - White Finish	FCS-FP-ERGO-WHITE-GAS-(NG or LP)

GAS FITTING & FLEX HOSE

PRODUCT	ITEM CODE
16.5 FEET (STANDARD 9-FOOT CEILING)	FCS-GS-GAS-GL-16.2-Kit
25 FEET	FCS-GS-GAS-GL-25-Kit
50 FEET	FCS-GS-GAS-GL-50-Kit

ADJUSTABLE SUSPENSION PLATE

PRODUCT	ITEM CODE
For 8" Flue Pipe and Ceiling Pitch is 0° to 45°	Black - FCS-SUSPLT-04-IND-BLK-GAS White - FCS-SUSPLT-04-IND-WHT-GAS

FIXED SUSPENSION PLATE

PRODUCT	ITEM CODE
For a Fireplace that Uses: - 10" or 12" Pipe OR - 8" Pipe and Ceiling Pitch of > 45°	Square - FCS-SUSPLT-SQ-P-(enter degree of pitch, 0= no pitch) Round - FCS-SUSPLT-RND-P-(enter degree of pitch, 0= no pitch)

FINISHING PLATE / COVER DISK

PRODUCT	ITEM CODE
For Flat Ceiling	FCS-NSUSCD-P-0-GAS
For Pitched Ceiling	FCS-NSUSCD-P-XX-GAS

ADDITIONAL FLUE PIPE

PRODUCT	ITEM CODE
Round Flue 8" OD 2' Length	FCS-FLUE-RND-8OD-2
Round Flue 8" OD 4' Length	FCS-FLUE-RND-8OD-4
Round Flue 8" OD 6' Length	FCS-FLUE-RND-8OD-6

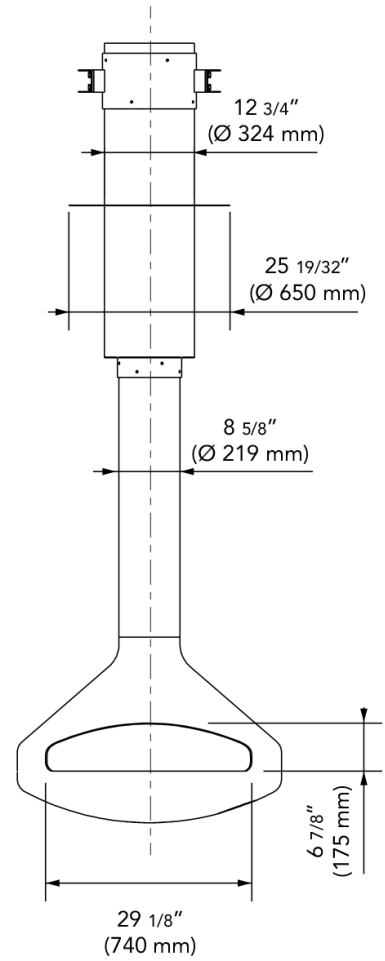
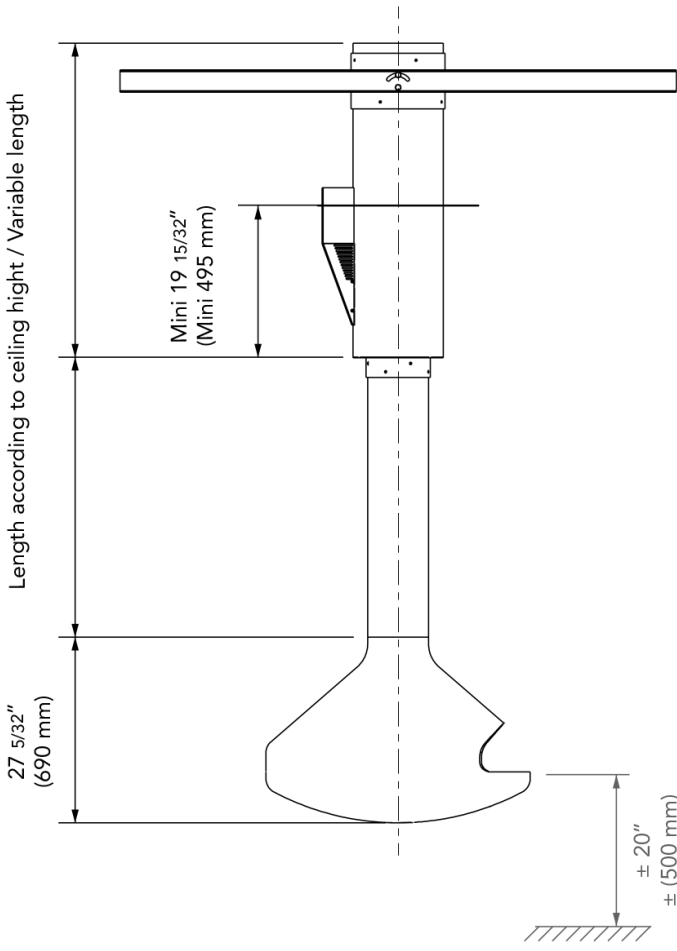
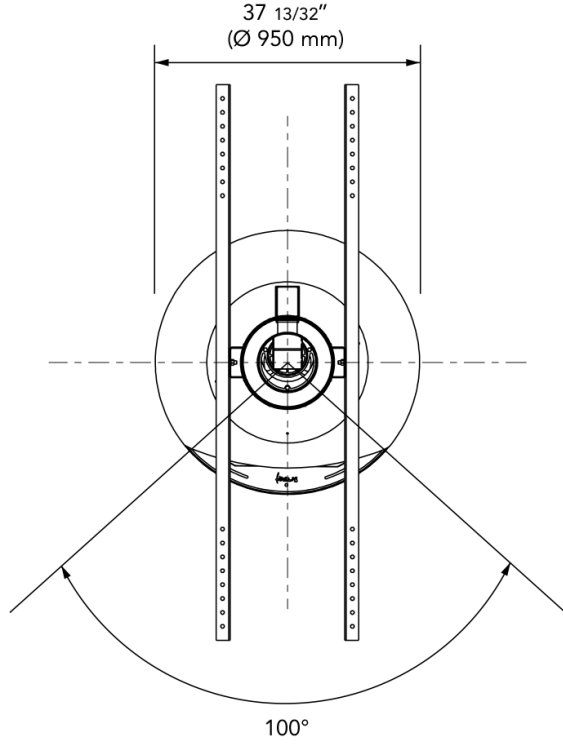
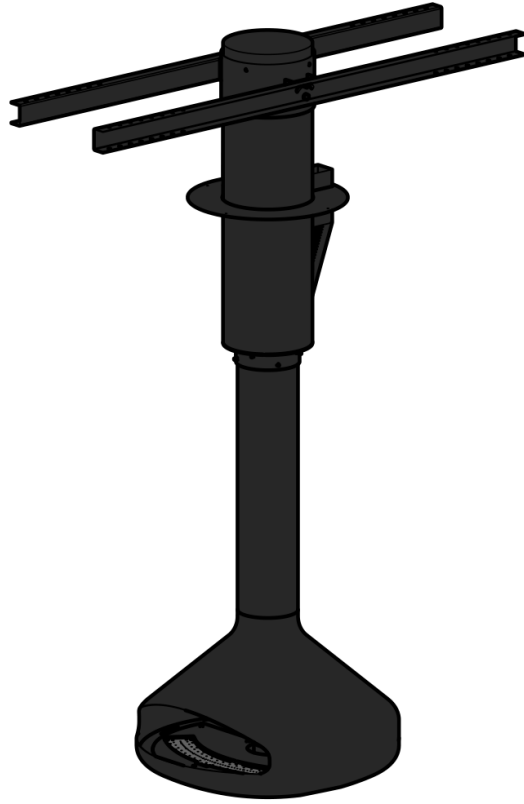
CONCENTRIC PIPE

PRODUCT	ITEM CODE
CONCENTRIC PIPE 4 INCH	FCS-GS-PGS-4IN
CONCENTRIC PIPE 10 INCH	FCS-GS-PGS-10IN
CONCENTRIC PIPE 18 INCH	FCS-GS-PGS-18IN
CONCENTRIC PIPE 40 INCH	FCS-GS-PGS-40IN

OPTIONAL ACCESSORIES

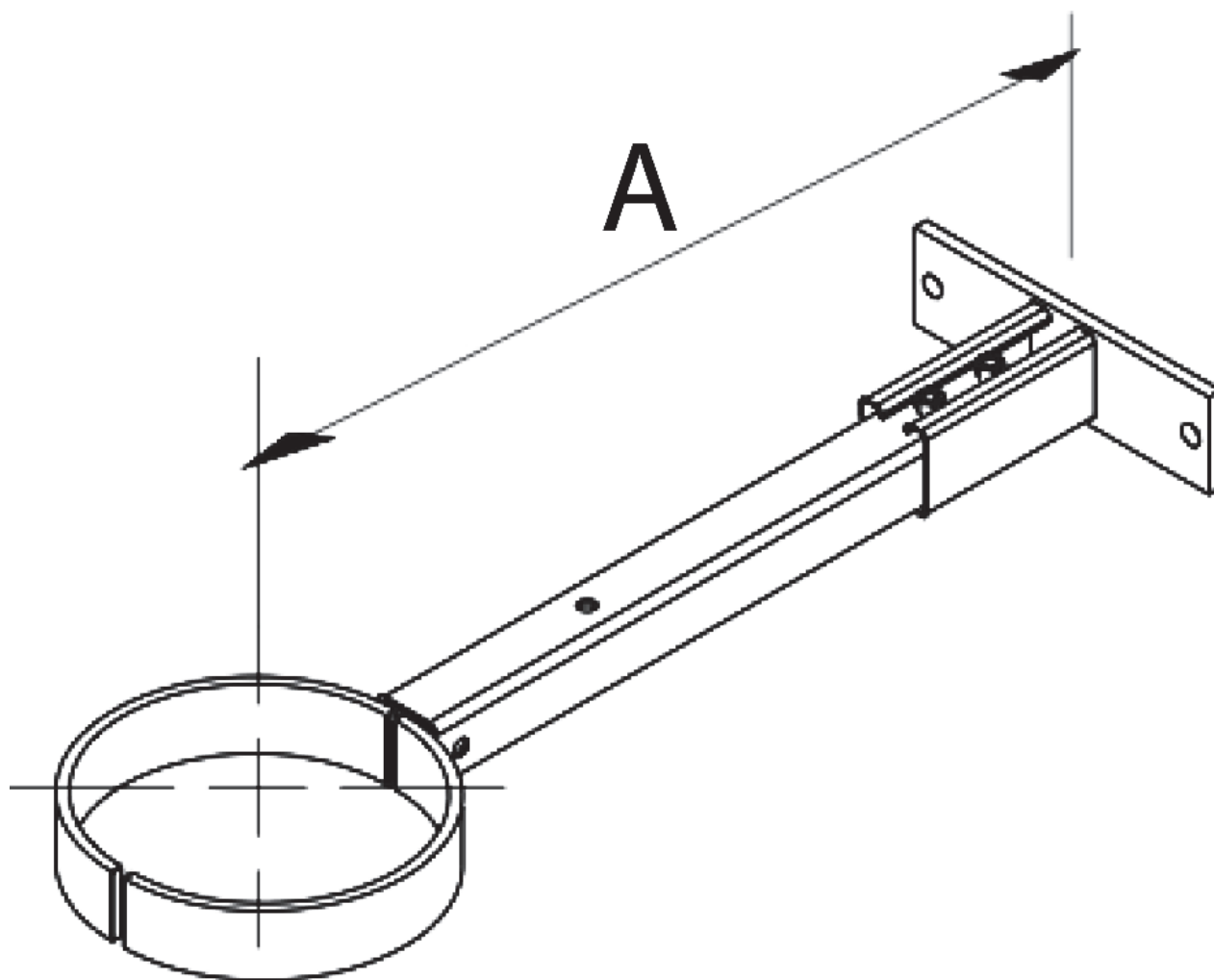
PRODUCT	ITEM CODE
WALL BRACKET	FCS-WALL-BRKT
BLACK SPRAY PAINT 150 ML	FCS-PT-FBP-Small
BLACK SPRAY PAINT 400 ML	FCS-PT-FBP-Large
WHITE SPRAY PAINT 150 ML	FCS-PT-WHTP

CUT SHEET



WALL BRACKET

Optional Accessory for Indoor Suspended Models



LETTER	A
INCHES [MILLIMETER]	10" -> 35" max. [250 -> 910 max.]