



CREATE BEYOND CONVENTION

ERGOFOCUS GAS

Installation & User instructions

WARNING

FIRE OR EXPLOSION

Failure to adhere to safety warnings precisely may result in severe injury, loss of life, or damage to property.

NEVER store or use gasoline or any other flammable vapors and liquids near this appliance or any other similar devices.

WHAT TO DO IF YOU DETECT GAS ?

- **DO NOT** attempt to activate any device.
- **DO NOT** manipulate electrical switches and **DON'T** use telephones within your premises.
- Evacuate the building immediately.
- Promptly contact your gas supplier using a neighbor's phone. Follow the gas supplier's instructions. If you cannot reach your gas supplier, contact the fire department without delay.

- Installation and maintenance should be carried out by a qualified installer, service agency, or the gas supplier.

INSTALLER:

Please leave this manual with the unit.

CONSUMER:

Retain this manual for future reference

Approved according to :

ANSI Z21.50

CSA 2.22



Intertek

This document was packed with the appliance.
KEEP THESE INSTRUCTIONS FOR FUTURE USE

TABLE OF CONTENTS

INTRODUCTION

INTRODUCTION.....	03
GENERAL INFORMATION.....	04
■ IMPORTANT SAFETY WARNING.....	04
■ INCLUDED PARTS, MATERIALS AND REQUIRED TOOLS FOR INSTALLATION.....	05
■ GENERAL FITTING INFORMATION.....	05
■ DETAILED PLAN.....	06
■ ADJUSTABLE SUSPENSION PLATE.....	07
■ SAFETY CLEARANCE DISTANCES FROM COMBUSTIBLE MATERIALS.....	08
INSTALLATION INSTRUCTIONS.....	09
■ ROOF OUTLET REQUIREMENT.....	09
■ CHIMNEY REQUIREMENT.....	09
■ CONNECTOR.....	10
■ FRESH AIR INTAKE.....	10
■ JUNCTION SLEEVE DETAIL.....	11
■ INSTALLATION OF THE SUSPENSION PLATE.....	12
■ INSTALLATION OF THE APPLIANCE.....	16
■ GAS CONNEXION.....	22
■ TESTING BEFORE COMMISSIONING.....	23
■ COMMISSIONING THE APPLIANCE.....	25
■ ARRANGEMENT OF THE CERAMIC LOGS.....	30
■ BRIEFING THE CUSTOMER.....	32
USER INSTRUCTIONS.....	33
■ BATTERY TYPE.....	33
■ FLUE SPILLAGE MONITORING SYSTEM.....	33
■ INSTRUCTIONS.....	33
■ MANUAL CONTROL.....	34
■ MANUAL SWITCH-OFF.....	38
■ SERVICING INSTRUCTIONS.....	39
■ SPARE PARTS.....	39
■ WARRANTY.....	40
APPENDIX.....	41
■ MERTIK FAULT FINDING CHART.....	41
■ WIRING DIAGRAM.....	45

Please thoroughly read this entire manual before installing and using your Focus fireplace. Failure to follow instructions may lead to property damage, bodily injury, or even death. Improper installation of this room heater may result in a house fire. To minimize the risk of fire, adhere to the installation instructions provided. Consult local building or fire officials for information on restrictions and installation inspection requirements in your area.

The installation must comply with local codes. In the absence of local codes, adhere to either the National Fuel Gas Code, ANSI Z223.1/NFPA 54, or the Natural Gas and Propane Installation Code, CSA B149.1.

Keep this manual within easy reach for quick reference.

All **WARNING** and **CAUTION SHOULD BE STRICTLY OBSERVED.**

This is a vented decorative gas appliance:

- Not intended as a primary source of heat.
- Not designed for use with solid fuel.

Thank you for selecting Focus Fireplaces.

Appliance designation:

- Ergofocus gas

Manufacturer:

Focus - Atelier Dominique Imbert
3 impasse Claque Patin – 34380 Viols le fort – France.

GENERAL INFORMATION

■ IMPORTANT SAFETY WARNING

This appliance must be installed as an OEM installation in manufactured homes (USA only), or an aftermarket permanently located, or a mobile home, where not prohibited by local codes.

Installation must adhere to the Manufacturer's instructions and comply with the Manufactured Home Construction and Safety Standard, Title 24 CFR, Part 3280, in the United States. Alternatively, in Canada, installation must follow the Standard for Installation in Mobile Homes, CAN/CSA Z240 MH Series.

Use only the type of gas specified on the rating plate. This appliance is not convertible for use with other gases unless a certified kit is employed.

WARNING

BE CAREFUL, neglecting safety warnings may lead to significant injury, loss of life, or property damage. Fire or explosions are not to be taken lightly.

Installation and service tasks must be carried out by a qualified installer, service agency, or the gas supplier.

Ensure the appliance area remains clear and free from combustible materials, gasoline, and other flammable vapors and liquids.

Children and adults should be made aware of the dangers posed by high surface temperatures and are advised to stay away to prevent burns or clothing ignition. To ensure that toddlers, young children, and other at-risk individuals are kept away from hot surfaces, it is recommended to use a physical barrier.

WARNING

When installed, the appliance must be electrically grounded in accordance with local codes. In the absence of local codes, adhere to the guidelines of the National Electrical Code, ANSI/NFPA 70, or the Canadian Electrical Code, CAN/CSA C22.1.

This gas fireplace **MUST** be vented directly to the outside and **MUST NEVER** be connected to a chimney serving a separate solid fuel-burning appliance. Each gas appliance **MUST HAVE** its own independent vent system. The use of common vent systems is strictly prohibited.

This unit **MUST** be utilized with a vent system as outlined in this installation manual. **NO OTHER** vent system or components **MAY BE USED**.

REGULARLY INSPECT the external vent cap to ensure that no debris, plants, trees, or shrubs are impeding the air flow.

AVOID OBSTRUCTING the flow of ventilation air. Keep the front of the appliance **CLEAR** of all obstacles and materials for servicing and proper operation.

TURN OFF the gas before servicing the appliance. It is recommended that a qualified service technician perform an appliance check-up/service once a year.

If the Flame Supervision Device is extinguished, either intentionally or unintentionally, refrain from attempting to relight the gas until at least 3 minutes have elapsed.

Do not use this appliance if any part has been submerged in water. Immediately contact a qualified service technician to inspect the appliance and replace any part of the control system and gas control that has been underwater.

Any safety screen, guard, or barrier removed for servicing the appliance must be replaced before operating the appliance.

GENERAL INFORMATION

■ INCLUDED PARTS, MATERIALS AND REQUIRED TOOLS FOR INSTALLATION

- The appliance and its designated components include the firebox, suspension plate, steel pipe, insulated stainless steel conduit, focus kit (comprising a heat-protective glove, mounting gloves, and a can of touch-up paint), and insulating washers.
- Essential tools for installation: drill, H4 Allen key, H6 Allen key, level, screwdrivers, Spanner 13, Spanner 08, Spanner 24, Torx key 25 scaffolding (up to under-ceiling height).
- A minimum of 2 persons is required for the installation process.
- Label for high-altitude installations (≥ 2000 feet) (≥ 610 m).
- Remote control.
- Set of logs.
- Cover disc (OPTION).
- Focus steel flue extension (OPTION).

■ GENERAL FITTING INFORMATION

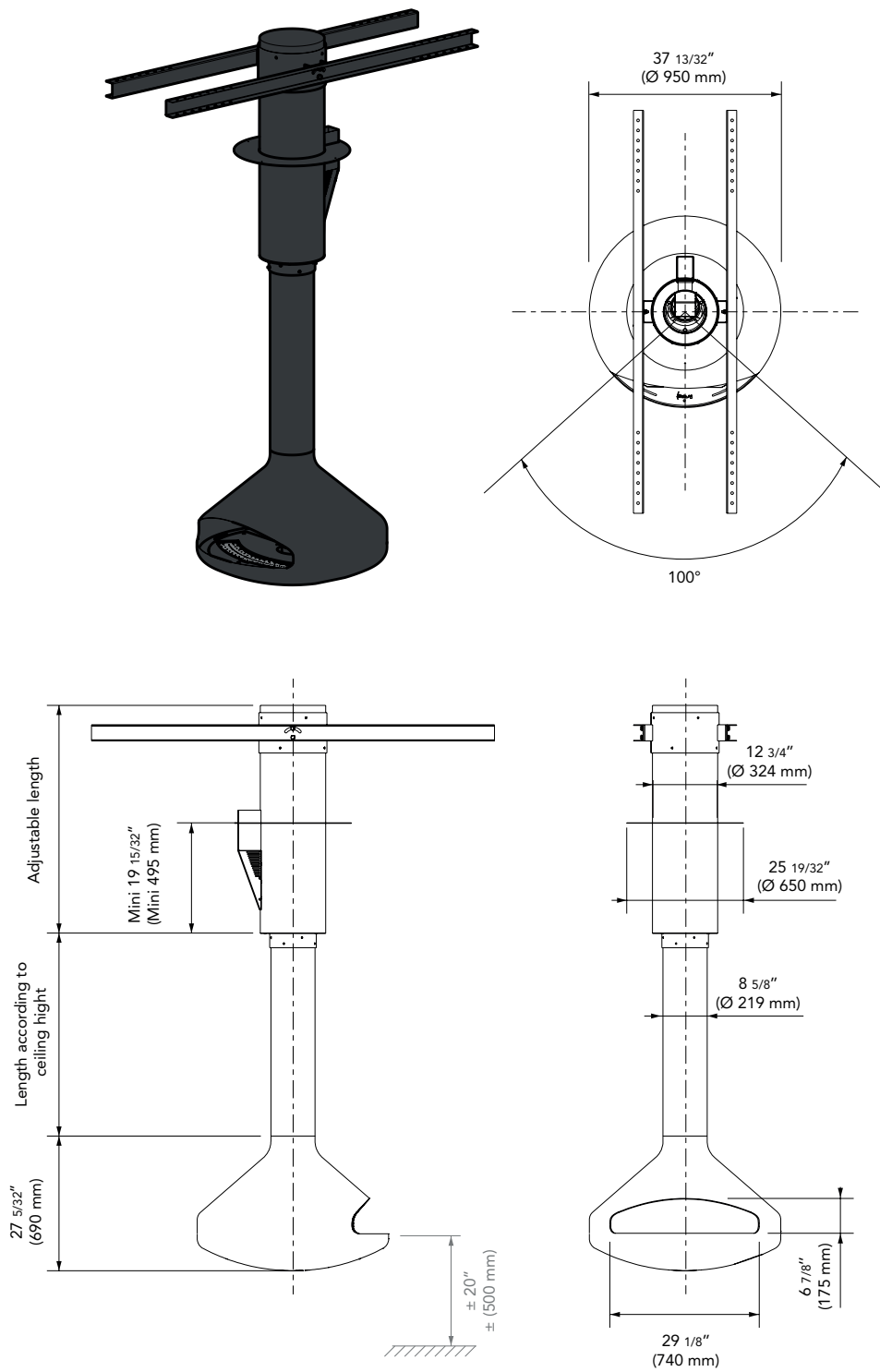
- Hearth 37 3/8 inch (950 mm) diameter; weight 188 lbs (85 kg).
- Flue diameter: 8 3/8 inch (219mm) ; length custom-made.
- Flue weight: 10,6 lbs per foot (16kg per meter).
- 1/8 inch (3 mm) thick steel.
- High heat resistant paint.
- Recommended flue length (interior and exterior) of 14' (4.25m). This length must be increased if the draft is insufficient due to installation configuration (altitude, house ventilation system, geographical location...).

Model			Ergofocus Gas	
Gas			Natural	Propane
Input Maximum	Elevation ≤ 2000 ft (610 m)	Btu/hr	46000	37500
	Elevation ≥ 2000 ft (610 m)	Btu/hr	54000	42000
Input Minimum	Btu/hr		17000	11000
Supply Pressure	in w.g.		7	11
	kpa		1.74	2.74
Manifold Pressure Maximum	in w.g.		6	10.5
	kpa		1.4	2.6
Manifold Pressure Minimum	in w.g.		2	6
	kpa		0.25	0.34
Main Burner Injector Marking			1200	400
Pilot Injector Marking			OP9043	OP9288

Tab 1

GENERAL INFORMATION

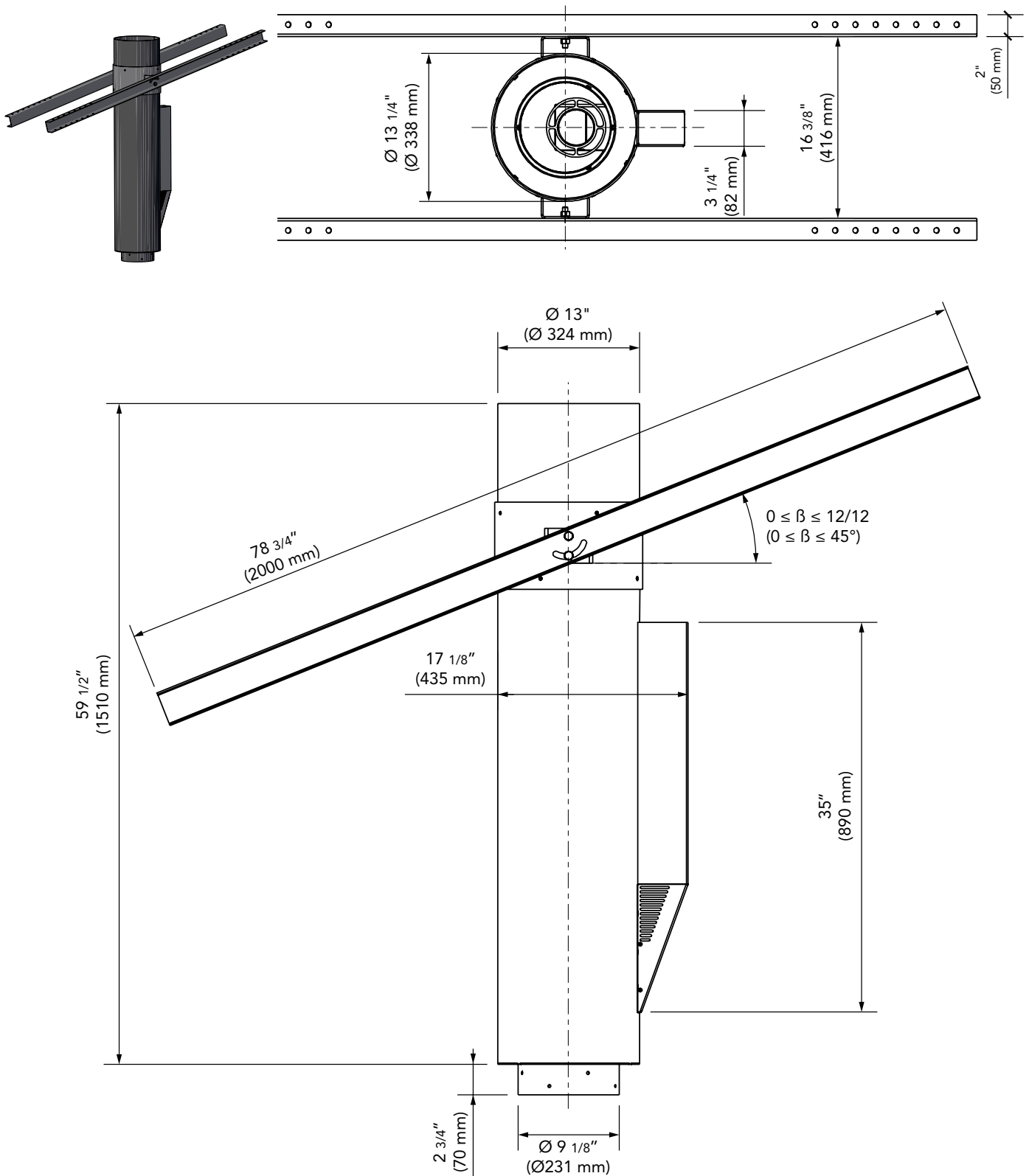
■ DETAILED PLAN



Sch 1

GENERAL INFORMATION

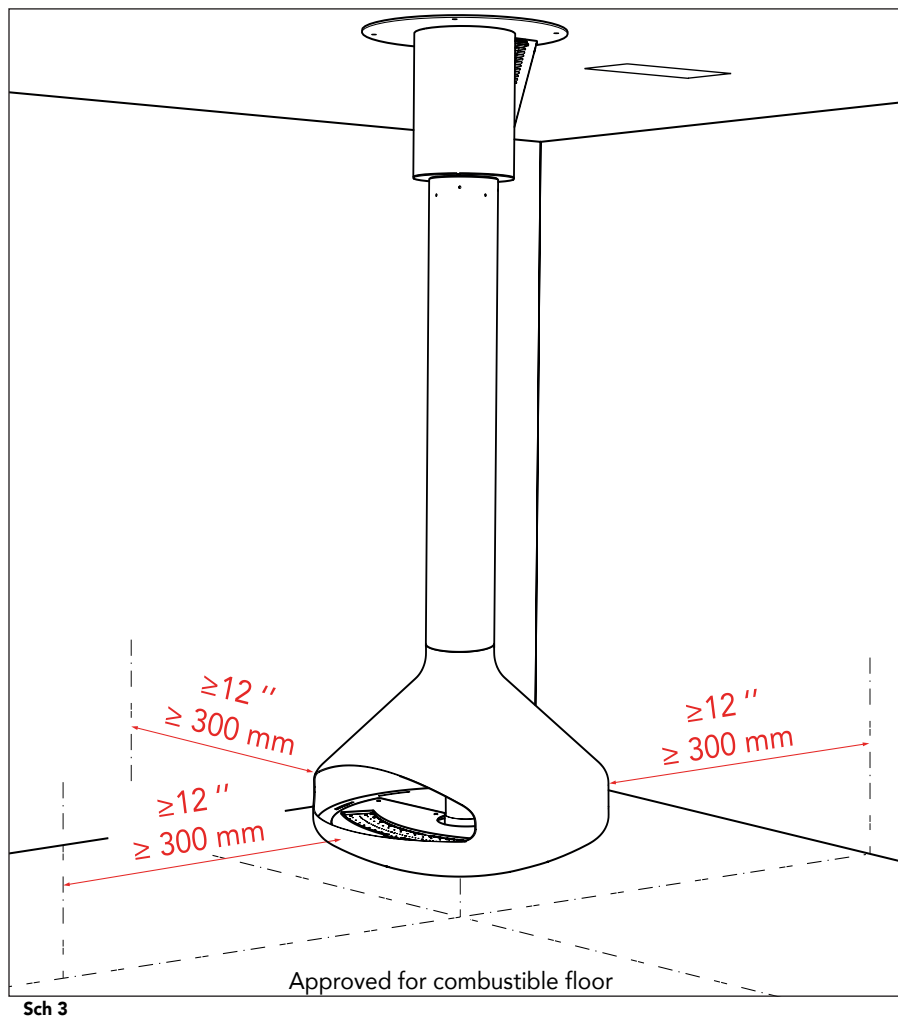
■ ADJUSTABLE SUSPENSION PLATE



Sch 2

GENERAL INFORMATION

■ SAFETY CLEARANCE DISTANCES FROM COMBUSTIBLE MATERIALS



⚠ IMPORTANT

Manufacturer specifications:

- Maintain a minimum distance of 4" (100 mm) from non-combustible walls to ensure adequate ventilation. For optimal wall preservation, exclusively utilize mineral paint; if using other paints, adhere to the specified clearances.
- Maintain a fire clearance of 31 1/2" (800 mm) to glass from the hearth.
- Maintain a fire clearance of 20" (500 mm) to tempered glass from the hearth.
- Refer to window technical specifications for fire clearance to PVC windows.

INSTALLATION INSTRUCTIONS

■ ROOF OUTLET REQUIREMENT

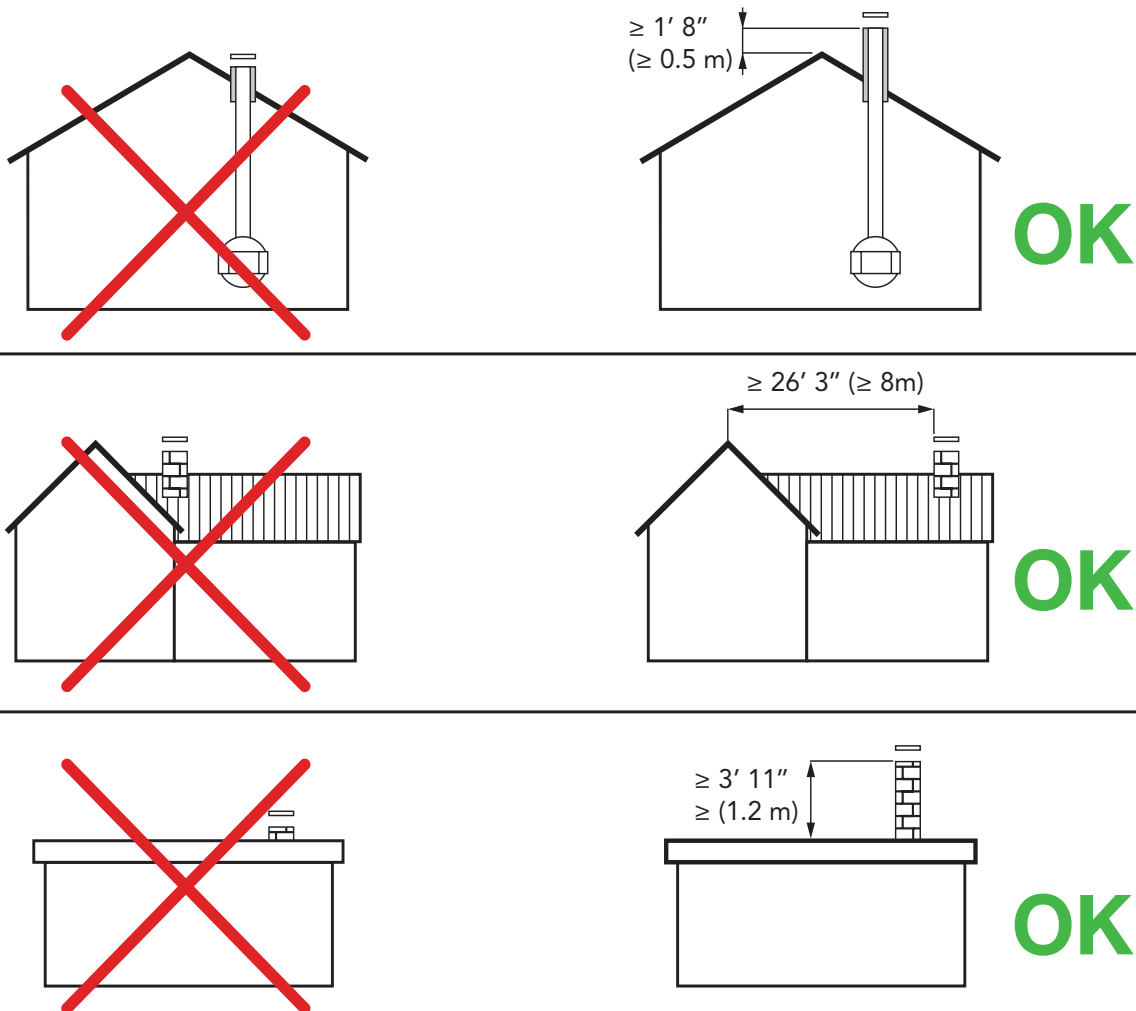


Fig 1

■ CHIMNEY REQUIREMENT

DO NOT link this unit to a chimney flue that serves another appliance!

Ergofocus GAS Requirements:

- The appliance must be connected to a chimney that meets the specifications for Type HT chimneys outlined in the standard for Chimneys, Factory-built, Residential Type and Building Heating Appliance, UL 103 / ULC S629. For instance, a Class A insulated stainless steel flue chimney system with a minimum inside diameter of 8 inches (200 mm).

⚠ CAUTION

The support of the anchor plate (roof structure, slab, etc.) must be sized in congruence with the fireplace static and dynamic charges. The size calculation for the support is not the responsibility of focus or its affiliates. It is your responsibility to consult with an engineer or architect for your project.

INSTALLATION INSTRUCTIONS

■ CONNECTORS :

All connectors, including the Focus flue, Focus 8" (200 mm) universal adaptor, and the chimney manufacturer finishing collar with adapter, are categorized as non-insulated chimney parts.

To avoid heat traps, it is imperative that the chimney connector does not traverse through an attic or roof space, closet, or any similar area that can be a heat trap, whether it be a floor or ceiling.

In cases where passage through an attic, roof frame, floor, or ceiling is unavoidable, it must be executed using an insulated chimney. Additionally, strict adherence to "safety clearance distances from combustible materials" p. 8 is essential.

⚠ CAUTION

Installing the Focus fireplace through a wall or partition constructed of combustible materials is forbidden.

■ FRESH AIR INTAKE :

For optimal performance, Focus recommends a fresh air intake in the room, ideally positioned below the fire. We suggest using **Deflect-O A0684 semi-rigid aluminum duct**. The minimum size for the fresh air intake is:

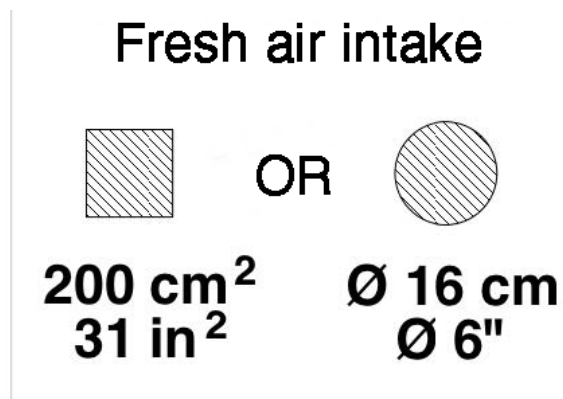


Fig 2

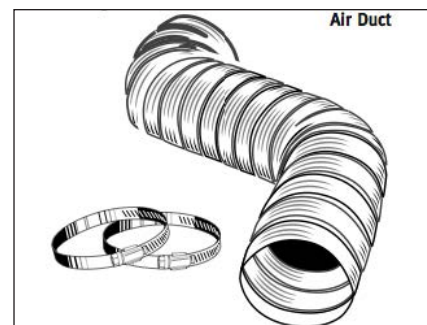


Fig 3

⚠ IMPORTANT

This fresh air intake is compulsory when operating venting appliances such as kitchen hoods, permanent air extractors or any appliances creating an air depression in the habitation.

INSTALLATION INSTRUCTIONS

■ JUNCTION SLEEVE DETAIL

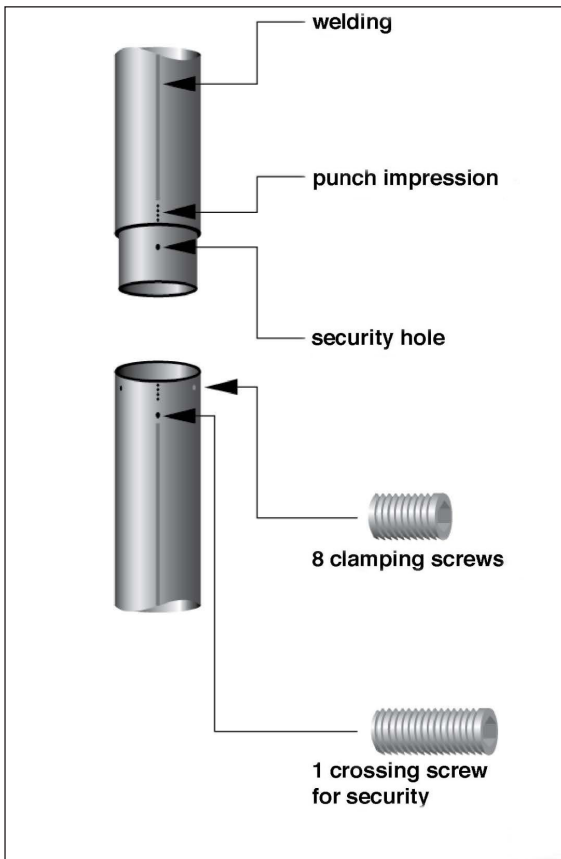


Fig 4

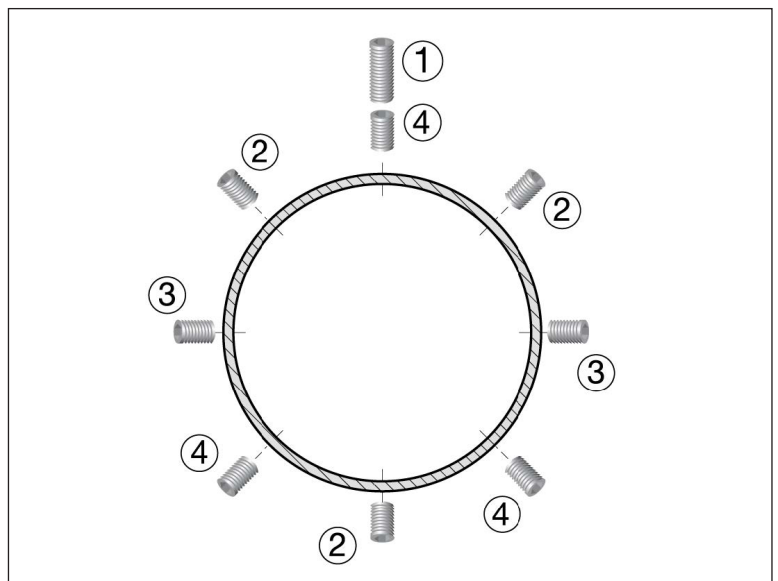


Fig 5

⚠ WARNING

Screws do not sit flush when installed.

NOTE: Junction sleeves are supplied only when the room's floor-to-ceiling height necessitates multiple focus pipes in separate sections. A junction sleeve may not be included for ceiling heights of 10 feet 7 inches (3200 mm) or less.

INSTALLATION INSTRUCTIONS

■ INSTALLATION OF THE SUSPENSION PLATE

The Focus Adjustable Suspension Plate ETL is specifically crafted for use on rafters or structures with a pitch ranging from zero to forty-five degrees.

The dimensions are as follows:

- Inside Diameter: 8 inches (200 mm).
- Outside Diameter: 13 inches (330 mm).
- The 13-inch (330 mm) wide portion of the drum accommodates a Class A insulated chimney flue, maintaining a 2-inch (50 mm) overall air gap between the flue and the drum to prevent the transfer of heat to surrounding building materials.
- The 8-inch (200 mm) wide section of the drum is designed to fit the Focus single-wall interior flue.

It is essential to note that the adjustable suspension plate is intended exclusively for use with the Ergofocus gas model.

Components of the adjustable suspension plate include:

- 2 Mounting bars
- 1 Support collar
- 1 Drum
- 1 Conveyor
- 4 Screws Conveyor (FXC M5x12)
- 8 Cramping screws (M8x10)
- The drum and conveyor are designed to be field-cut as needed.

For installation, the mounting bars can be cut to the required length and must be securely attached to the rafter/structure using lag bolts (for wood installation) or through bolts (for wood or metal installation). This secure attachment is necessary to support the weight of the fireplace and flue.

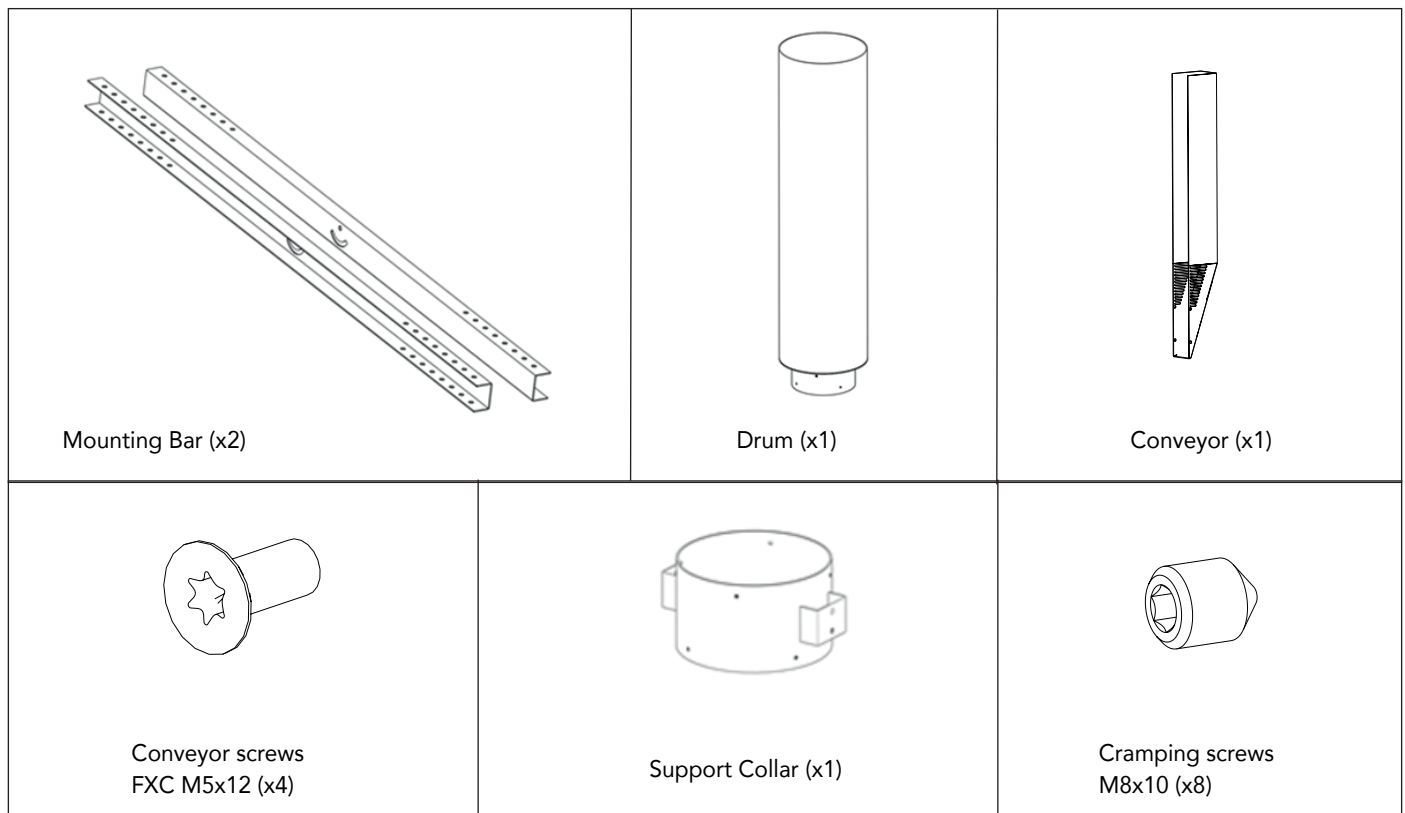
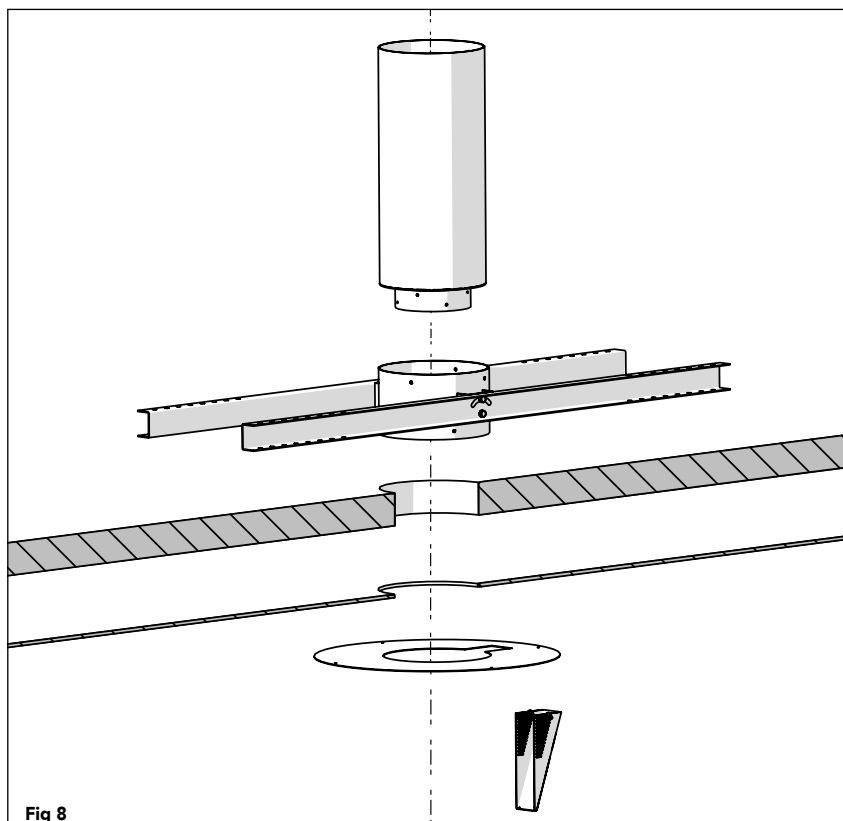
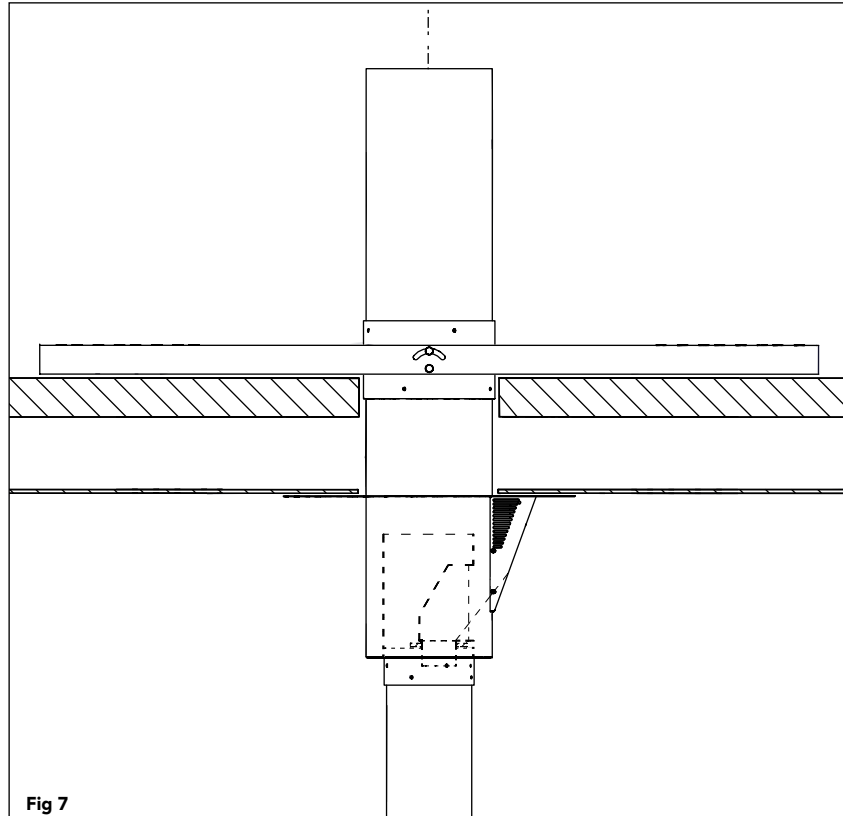


Fig 6

INSTALLATION INSTRUCTIONS



INSTALLATION INSTRUCTIONS

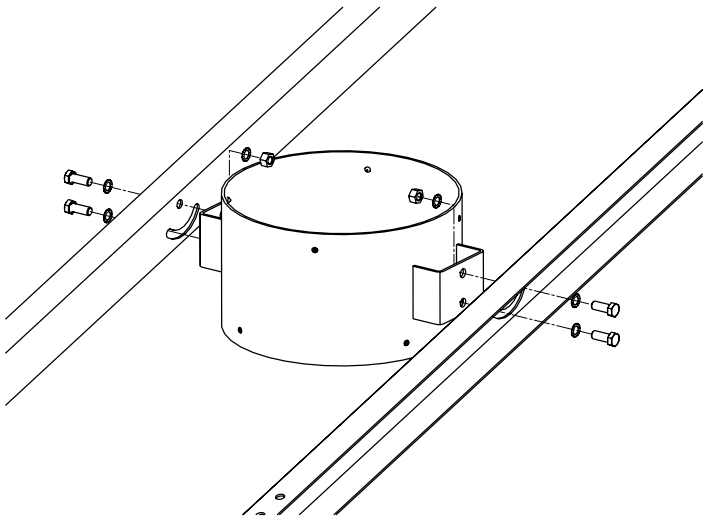


Fig 9

1. Assemble Support Collar:

- Position the support collar between the mounting bars.
- Securely fasten the bolts using the provided nuts and lock washers.

2. Mount the Assembly:

- Attach this assembled unit to the ceiling or roof at the designated location.
- Ensure a firm and secure mounting.

3. Insert Drum:

- From below, place the drum inside the support collar.
- Ensure the drum is securely inserted and positioned.

4. Adjust Drum Length:

- Modify the drum to the desired length.
- Ensure that the larger portion of the drum is positioned a minimum of 19 15/32" (500 mm) below the ceiling finish.

5. Mark and Prepare for Cutting:

- If the drum requires cutting, mark it above the support collar using a pencil and the support collar as a guide.
- Remove the drum from the support collar and apply tape around the pencil marks, using it as a cutting guide.

6. Cut Drum with Angle Grinder:

- Use an angle grinder to cut the drum along the marked tape.

7. Adjust Conveyor Height and Direction:

- Modify the conveyor to cut at the desired height and direction of the false ceiling.

8. Cut Cover Disc (If not done at factory):

- Cut the cover disc according to the specifications outlined in Figure 11.

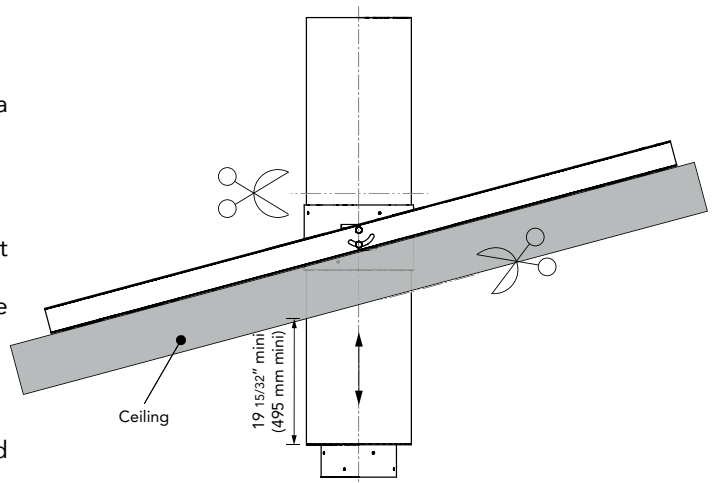


Fig 10

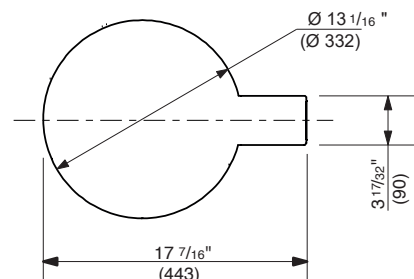


Fig 11

INSTALLATION INSTRUCTIONS

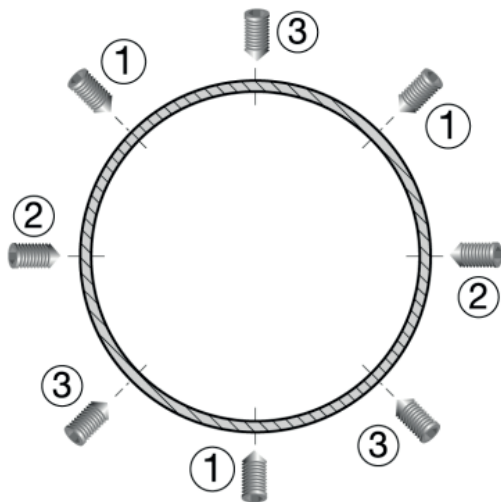


Fig 12

9. Reinstall Drum into Support Collar:

- Place the drum back into the support collar.
- Using a level, confirm the alignment, and securely tighten the cramping screws according to the following pattern:
 - ① x 3
 - ② x 2
 - ③ x 3

Note: Screws are not intended to sit flush with the support collar.

10. Cut Conveyor with Angle Grinder:

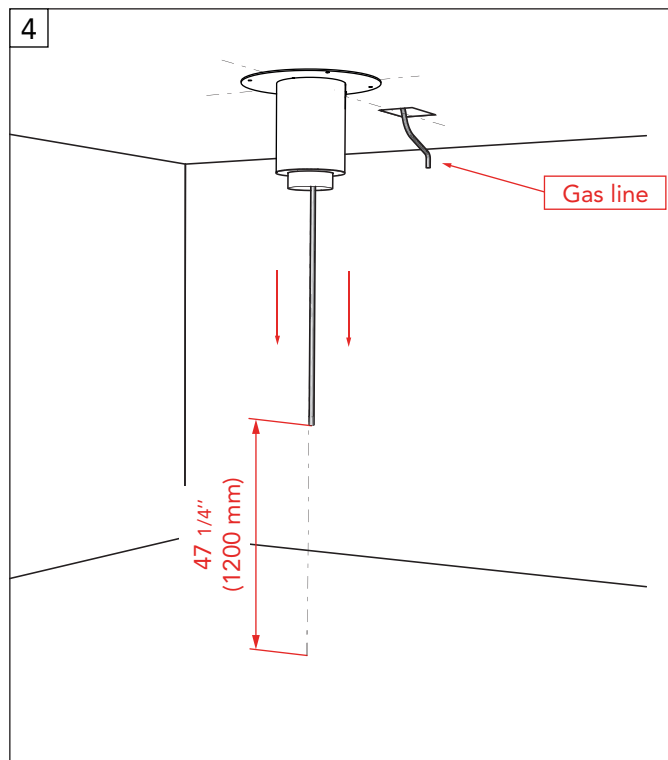
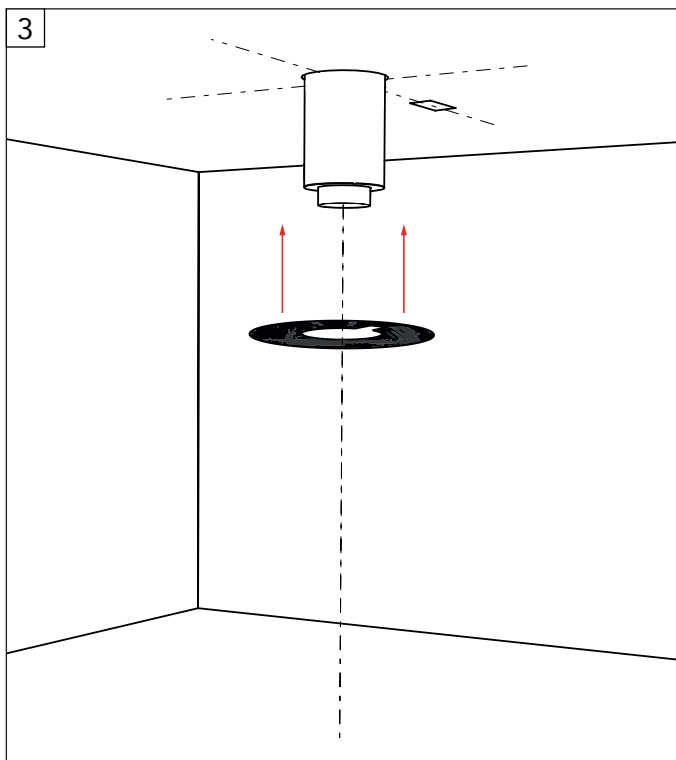
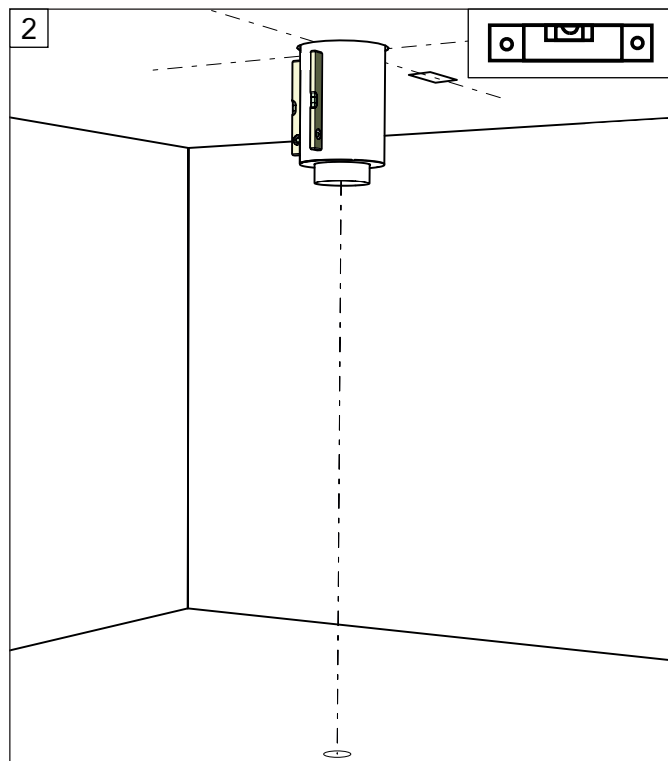
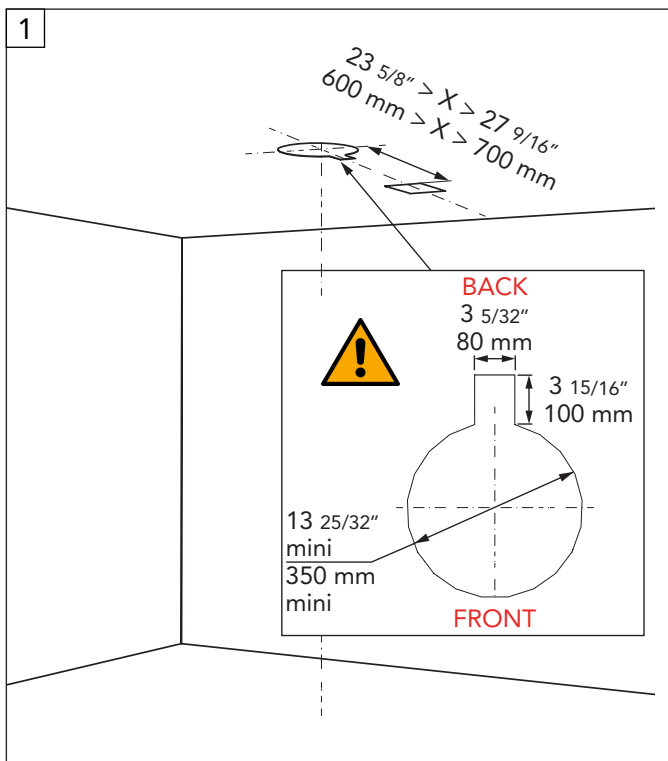
- Using an angle grinder, cut the conveyor to match the height and inclination of the ceiling.

11. Install the Conveyor:

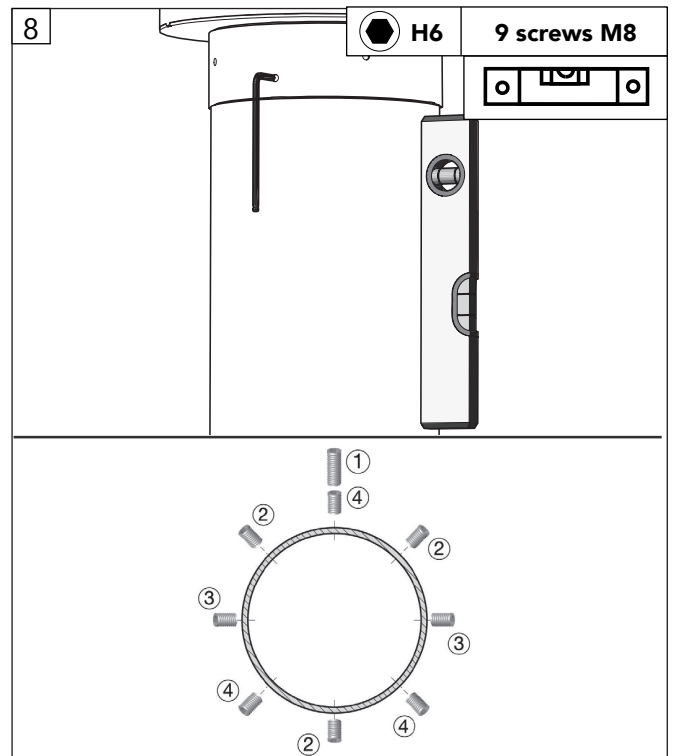
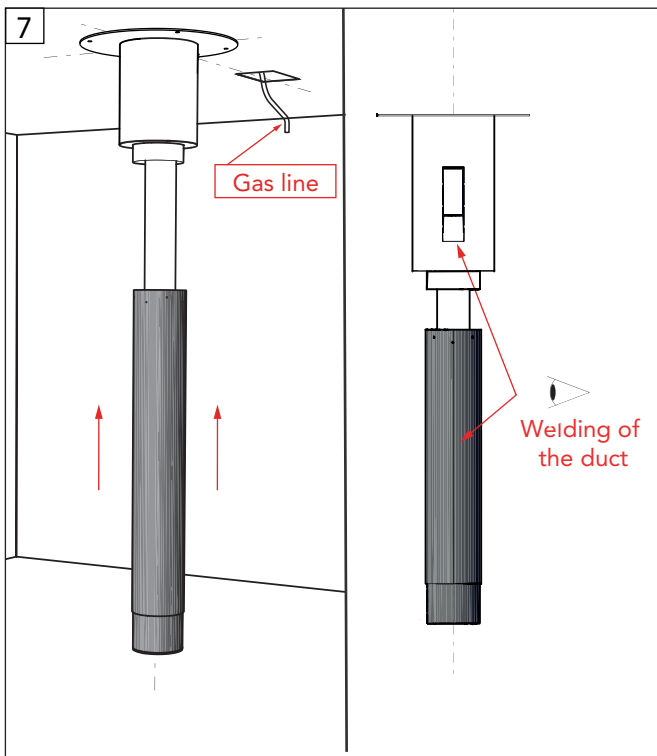
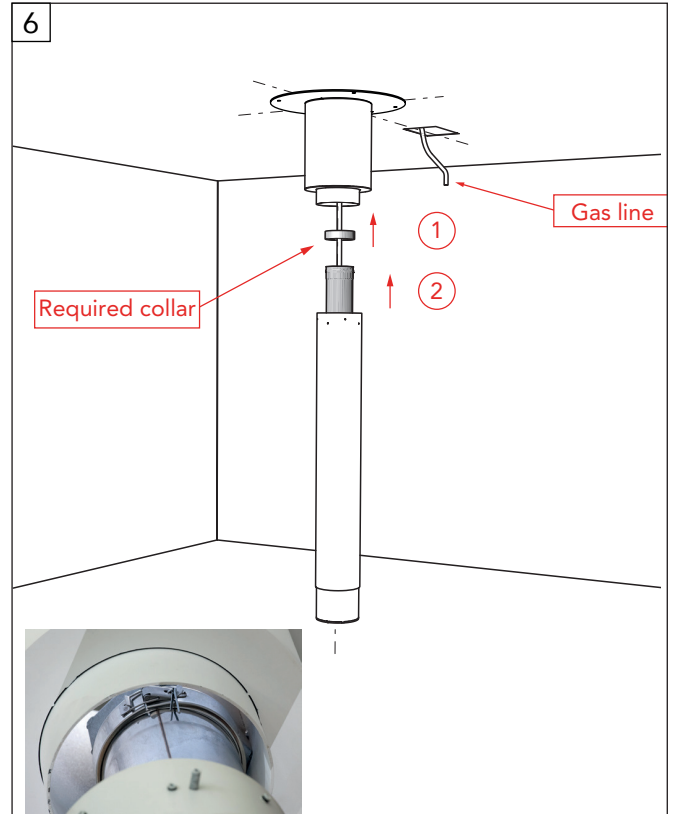
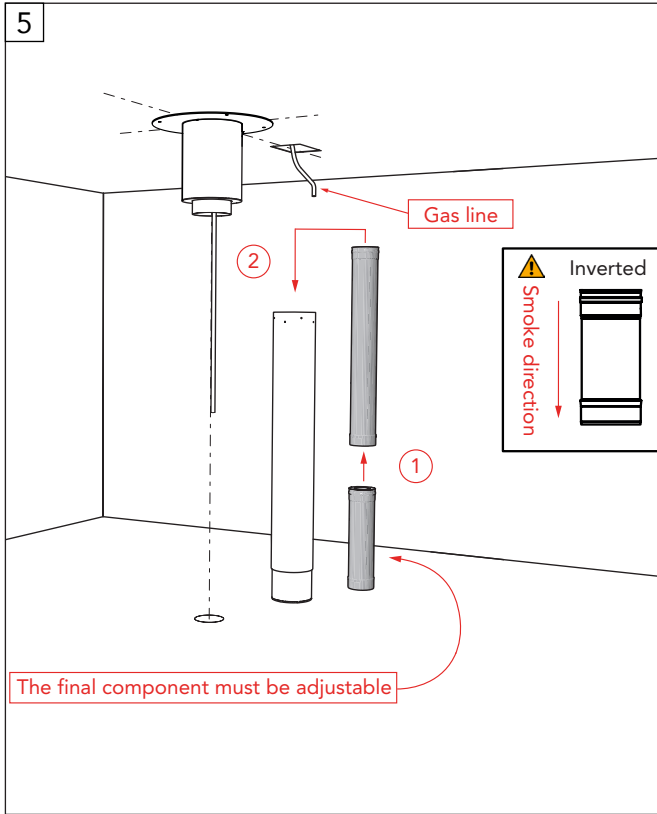
- Securely install the conveyor using the provided 4 conveyor screws.

INSTALLATION INSTRUCTIONS

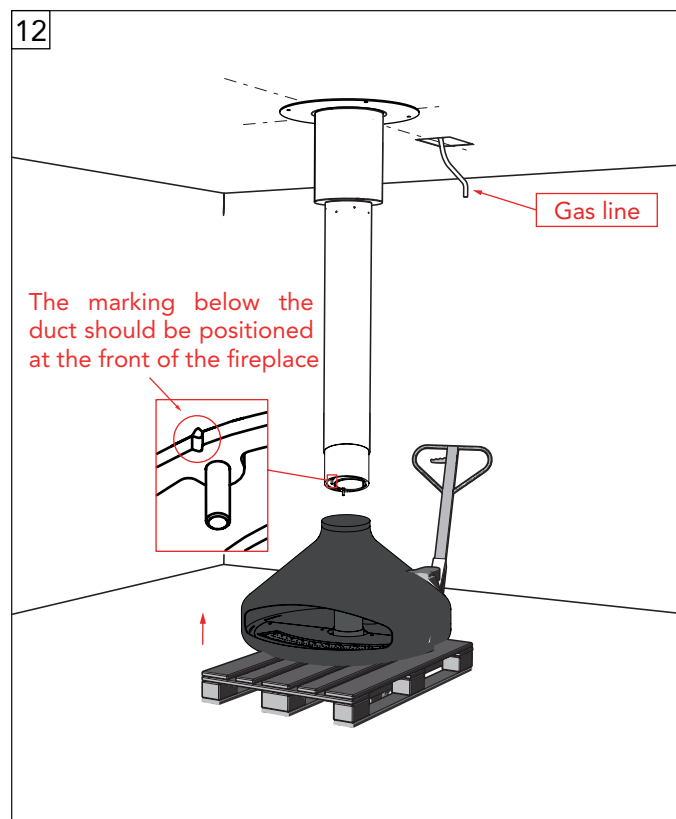
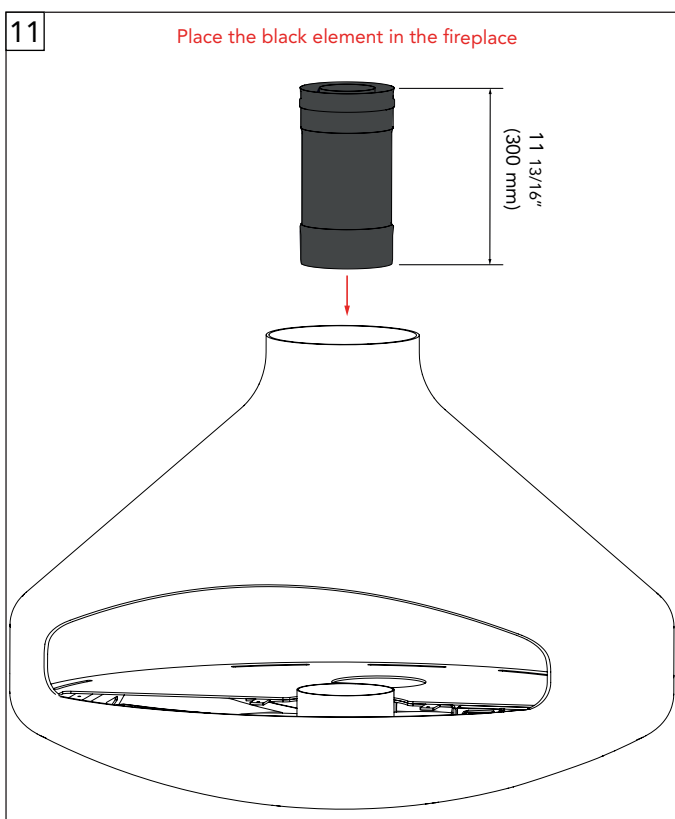
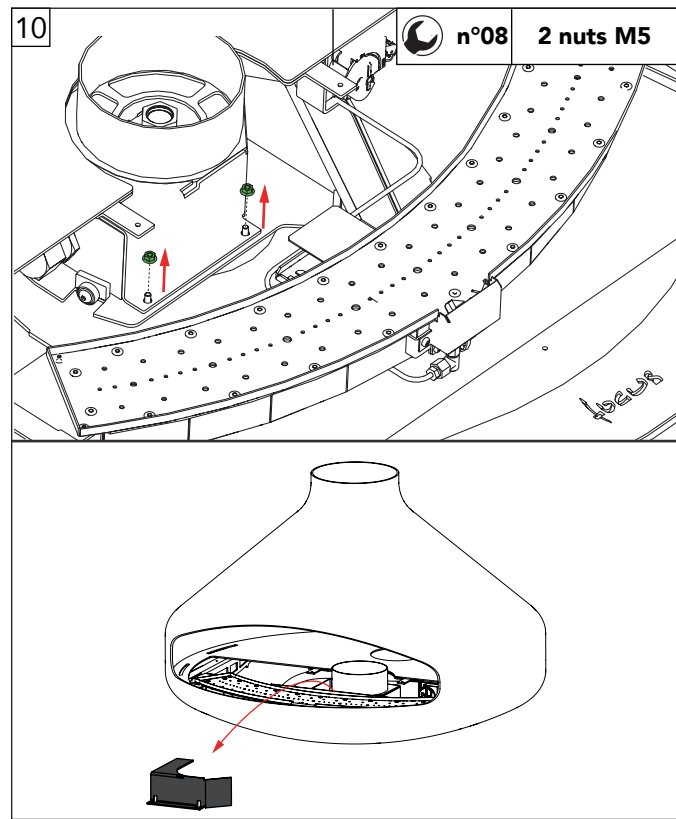
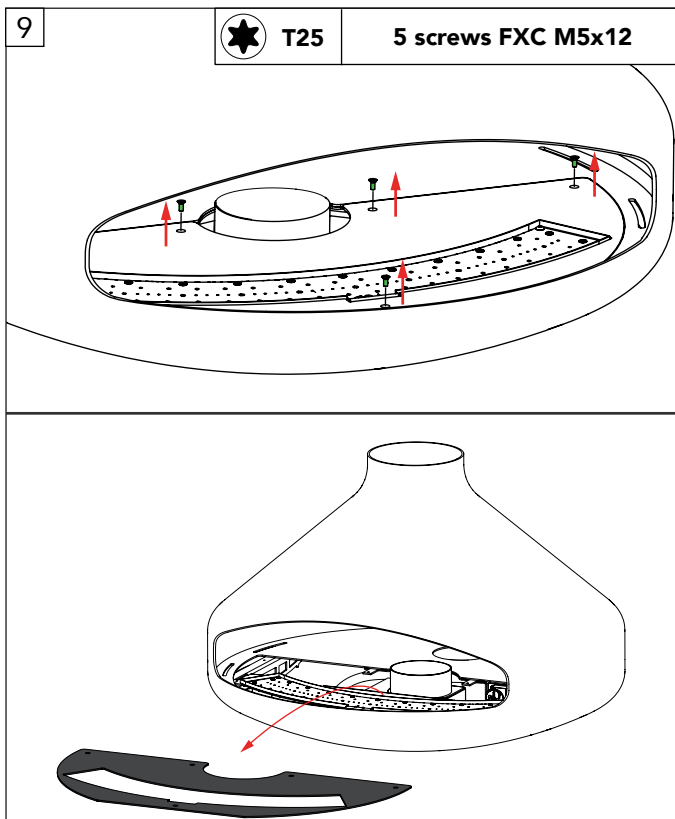
■ INSTALLATION OF THE APPLIANCE



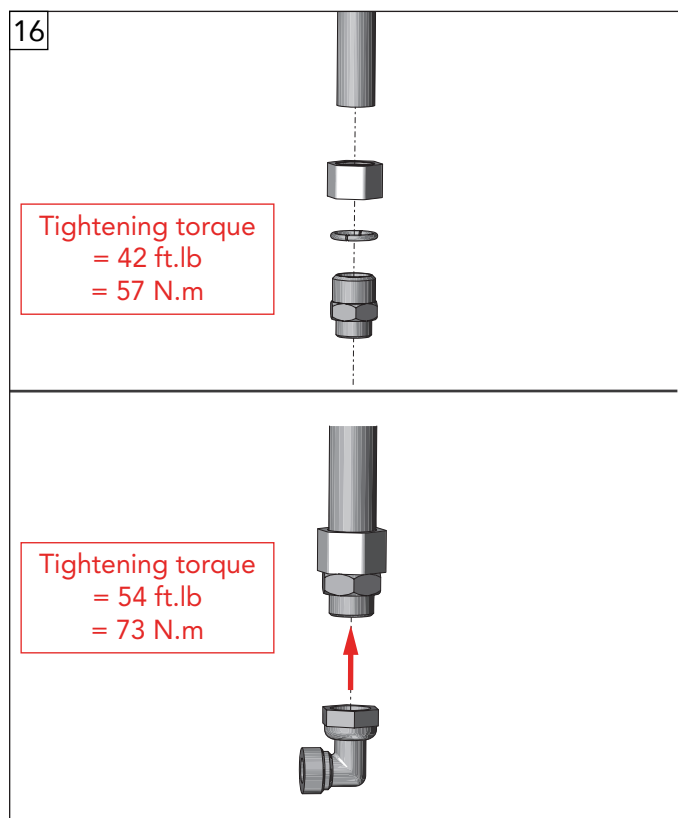
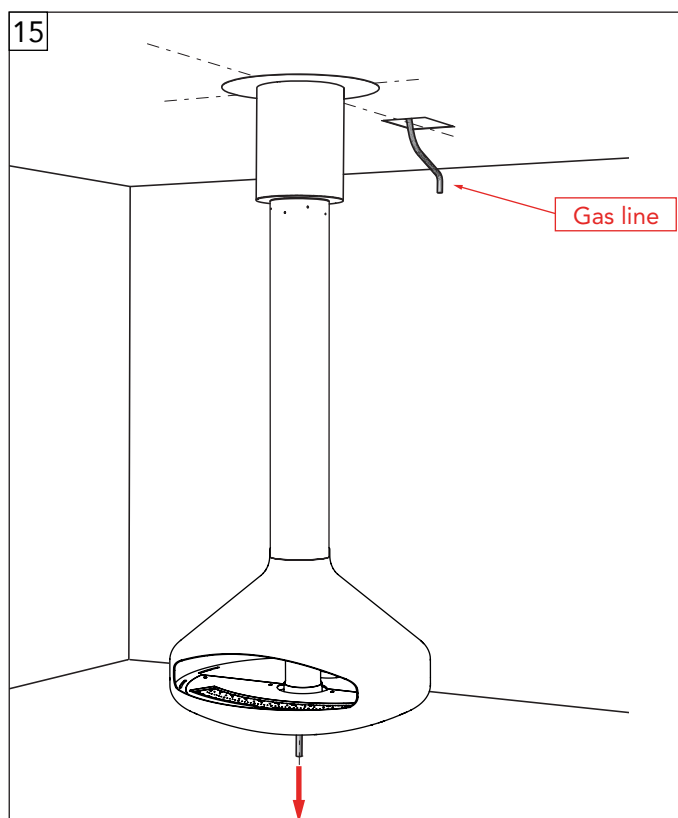
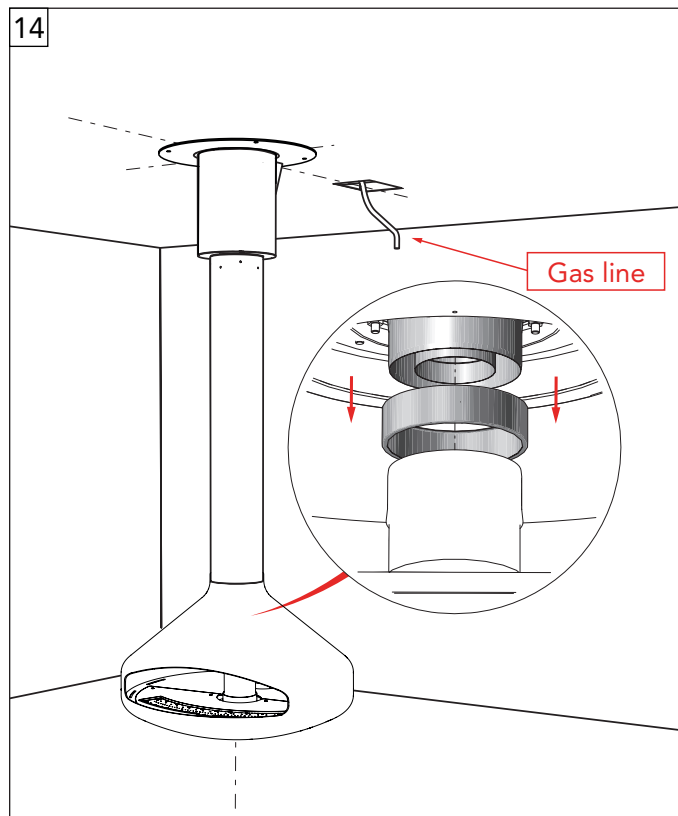
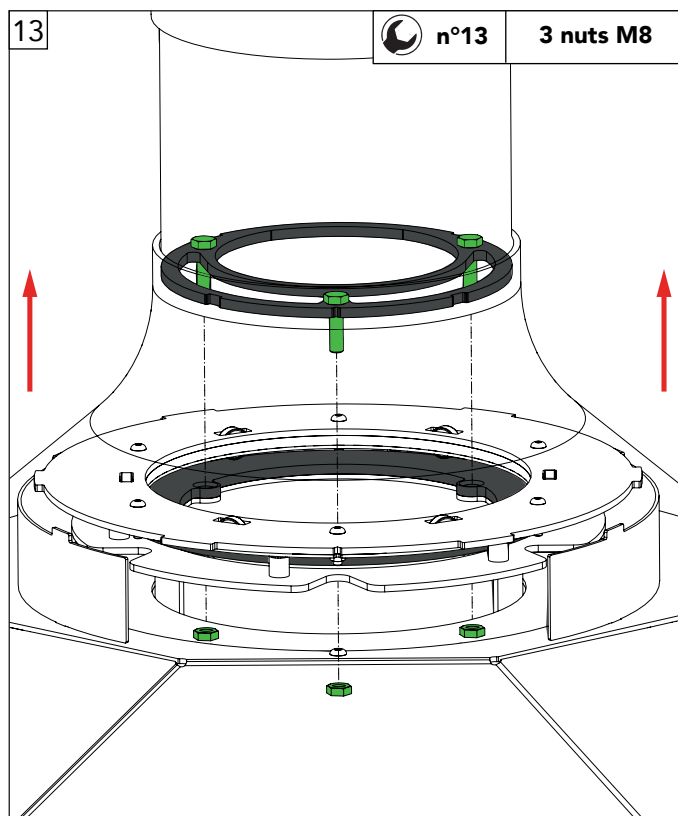
INSTALLATION INSTRUCTIONS



INSTALLATION INSTRUCTIONS



INSTALLATION INSTRUCTIONS




INSTALLATION INSTRUCTIONS


17
FLEXIBLE STAINLESS STEEL CONNECTION DETAIL

- 1 Cut the tube
- 2 Strip the pipe
- 3 Install the nut and symmetrical half-rings
- 4 Tighten the fitting to seal the connection
- 5 Test the installation and protect the stripped part with self-adhesive tape
- 6 Test the installation and protect the stripped part with self-adhesive tape

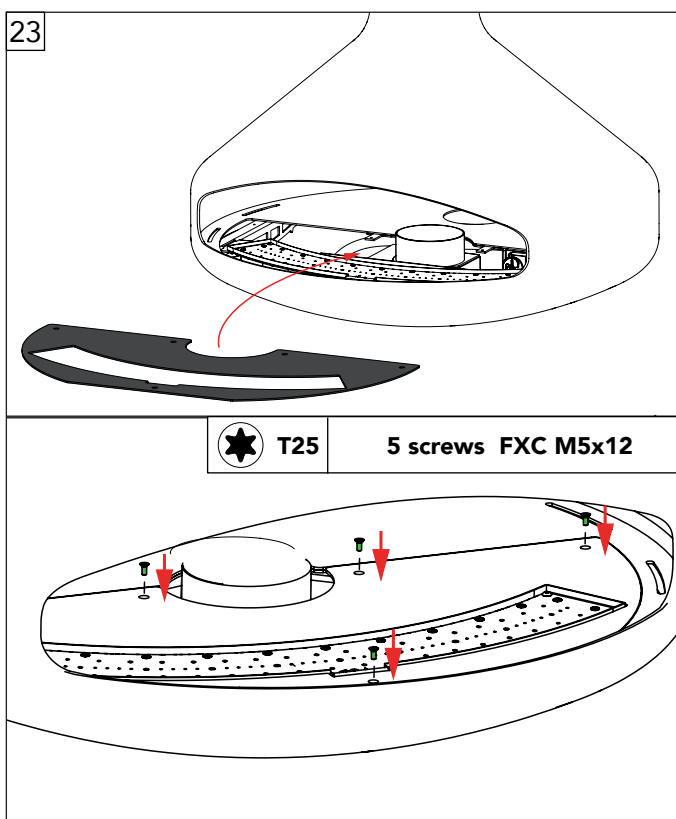
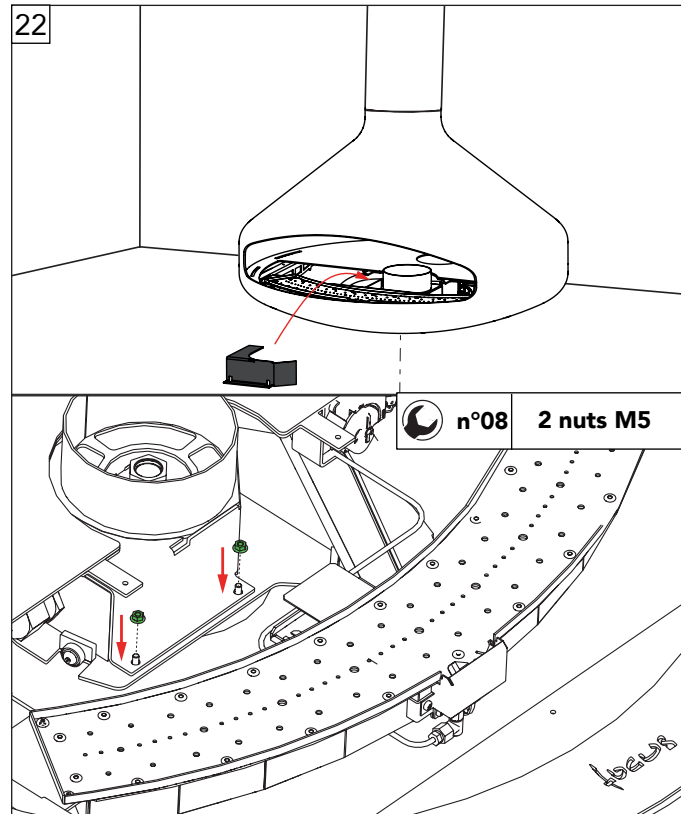
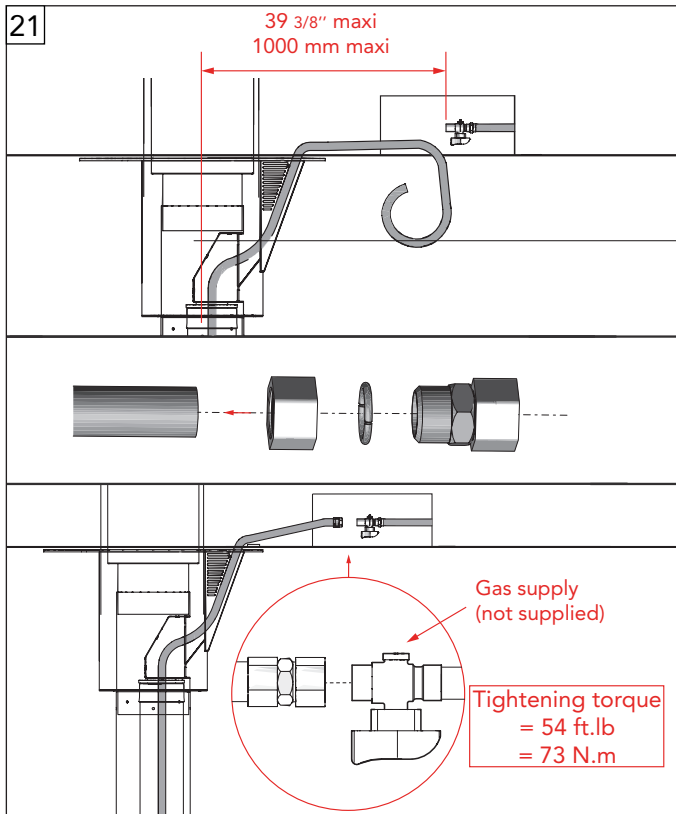
18

19  **n°24**

Tightening torque
 = 54 ft.lb
 = 73 N.m

20  **T25** **4 screws FXC M5x12**

INSTALLATION INSTRUCTIONS



INSTALLATION INSTRUCTIONS

■ GAS CONNECTION

- **Correct Sizing and Routing:**

Ensure the gas supply line is sized and installed correctly, following the guidelines stipulated in the latest edition of the National Fuel Gas Code, NFPA 54 (USA), or CAN/CSA-B149.1 (Canada).

- **Material Specifications:**

Never use galvanized or plastic pipes for the gas supply line, unless explicitly specified for gas use. Utilize materials compliant with local codes and regulations.

- **Adherence to Codes and Regulations:**

Gas lines must adhere strictly to local codes and regulations. Consult and comply with the guidelines outlined in the applicable codes for your region.

- **Qualified Professional Installation:**

Employ a qualified individual, such as a plumber or gas fitter, to accurately size and route the gas supply line to the appliance. Installation should only be carried out by individuals with the necessary expertise to ensure compliance with safety standards.

- **Comprehensive Considerations:**

Installing a gas supply line involves considerations of materials, protection, sizing, locations, controls, pressure, sediment, and other criteria.

Only a qualified individual should undertake the sizing and installation of gas piping due to the complexity and potential safety hazards associated with the process.

INSTALLATION INSTRUCTIONS

■ TESTING BEFORE COMMISSIONING

To carry out these operations, you must first remove the burner cover and gas connection cover as described in steps 9 and 10 on page 18.

A. LEAK TEST

Switch on and check that there are no gas leaks from the supply to the burner.

1. Open gas shut-off valves.
2. Apply enough leak test solution to each connection (circled in red on the thumbnails ①, ② and ③ against). Hold a towel or rag under joints to catch any spill-over.
3. If there are leaks, bubbles will appear at the joints. Use a small mirror to see the hidden areas.
 - a. If a leak is detected, tighten the connection to max. torque (labels ①, ② and ③) and repeat the test.
 - b. If the leak persists or if you smell gas, turn off the gas supply to the to the appliance and call a licensed plumber to rectify the problem.
4. After testing, thoroughly rinse all joints with water and dry.

⚠ WARNING

If you smell gas, turn off the gas at the main valve and call a licensed plumber to test for leaks.

⚠ WARNING

Matches, candles, open flame or other sources of ignition should not be used for leak testing. It is recommended that leak testing be done using non-corrosive gas leak detection fluid. Dish washing detergent, bath soap or other household chemicals that contain chlorides should not be used.

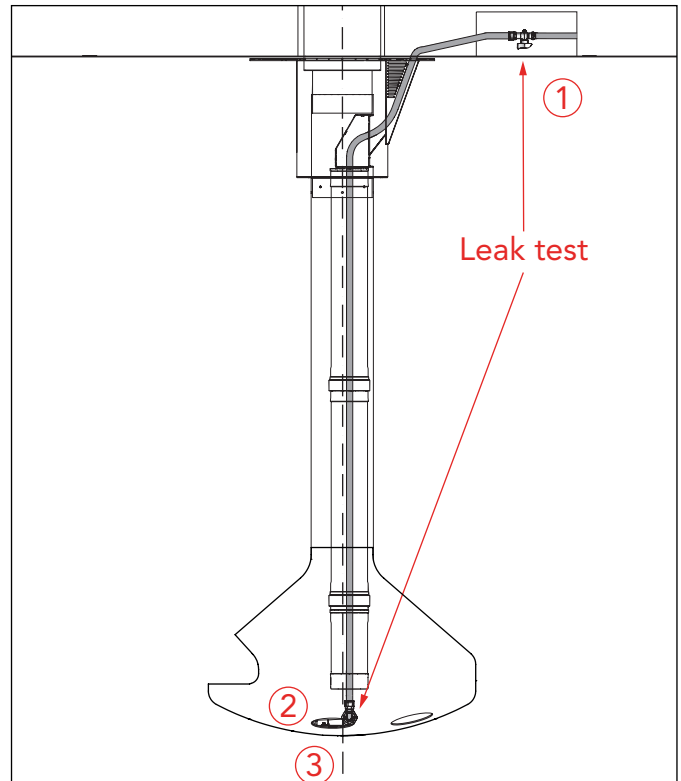


Fig 13

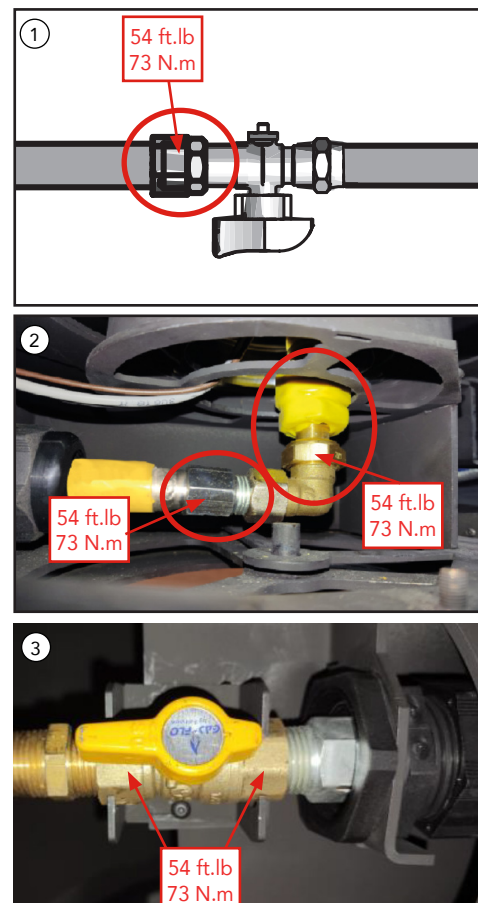


Fig 14

INSTALLATION INSTRUCTIONS

B. PURGE PROCEDURE

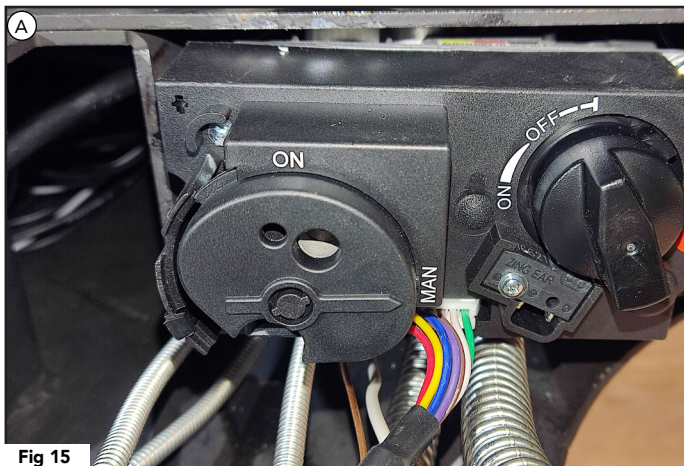


Fig 15
Set the knob to MAN.



Fig 16
Keep valve depressed.

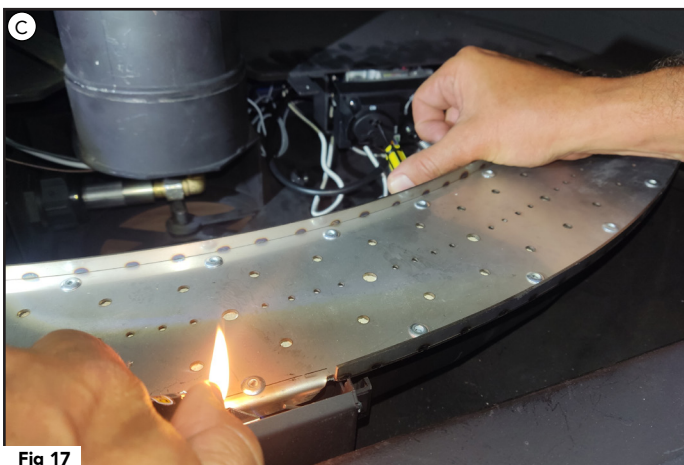


Fig 17
Hold the valve down and use a lighter to check for gas at the pilot. Air will initially escape.

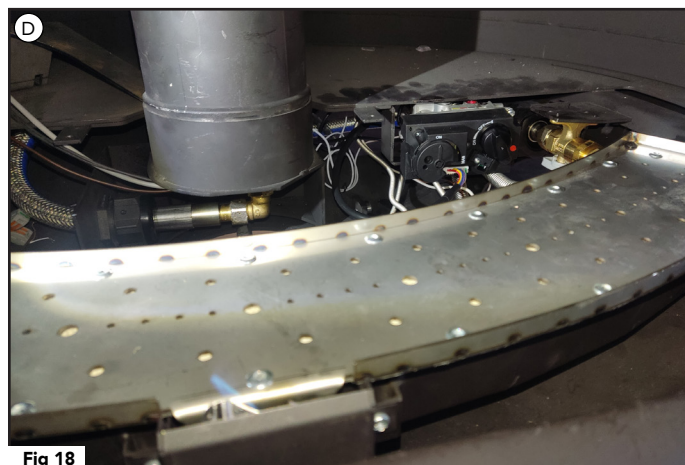


Fig 18
When pilot is lit, release valve. Turn knob back to ON position. Press the ON/OFF button on the remote control to put out the flame.



These fittings must never be used for venting !



Fig 19



A video on the purging procedure is available by scanning this QR CODE.

INSTALLATION INSTRUCTIONS

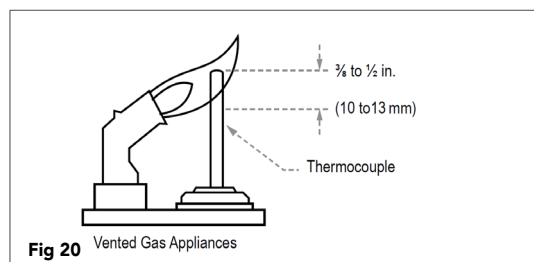
■ COMMISSIONING THE APPLIANCE

When the appliance is used for the first time, the coatings on the various parts may smoke. It is therefore advisable to ventilate the room for at least one hour before using the unit for the first time.

A. PILOT IGNITION CHECK

1. Ignite the pilot light as described in the User Instructions.
2. Check that the pilot flame stays alight.
3. Extinguish the pilot light.

The pilot flame should envelope 3/8" (10 mm) to 1/2" (13 mm) of the thermocouple



B. MAIN BURNER CHECK

1. Turn on the burner as described in the User Instructions.
2. Check that the pilot lights the burner and the two stay alight.
3. Extinguish the appliance fully.

C. PRESSURE CHECK

The appliance is preset to give the correct heat inputs as listed in the technical details. No further adjustment is necessary. Always check the inlet pressure and burner pressure.

1. Turn off the gas valve on the appliance (Fig 28 p38).
2. Release the screw on the Inlet Pressure test point on the gas valve and connect a manometer (Fig 21 p27).
3. Check that the measured pressure is as the prescribed supply pressure (Tab 1 p5).
4. Perform the test when the appliance is burning on full and with the pilot alight
5. If the pressure is low, check the gas supply pipes are too a correct sizing
6. If the pressure is too high (more than 2" WG (5 mbar)) the appliance may be installed, but the gas supply company should be contacted
7. Release the screw on the Burner Pressure test point on the gas valve and connect a manometer (Fig 21 p27).
8. Check that the measured pressure is as detailed in the Technical details (Tab 1 p5).
9. The measured value should be within +/- 10% of the described value. If this is not the case, please contact the supplier.

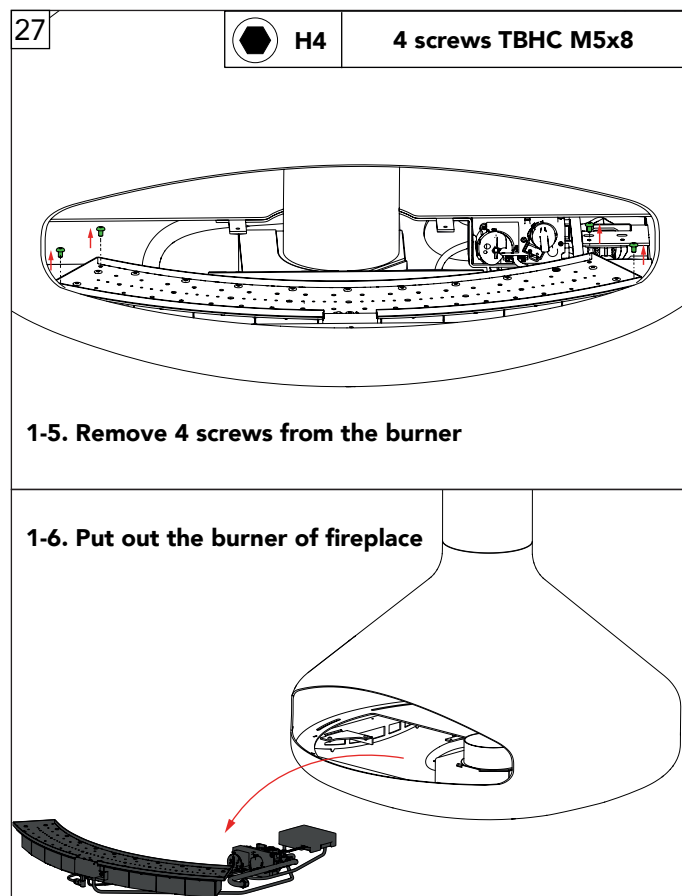
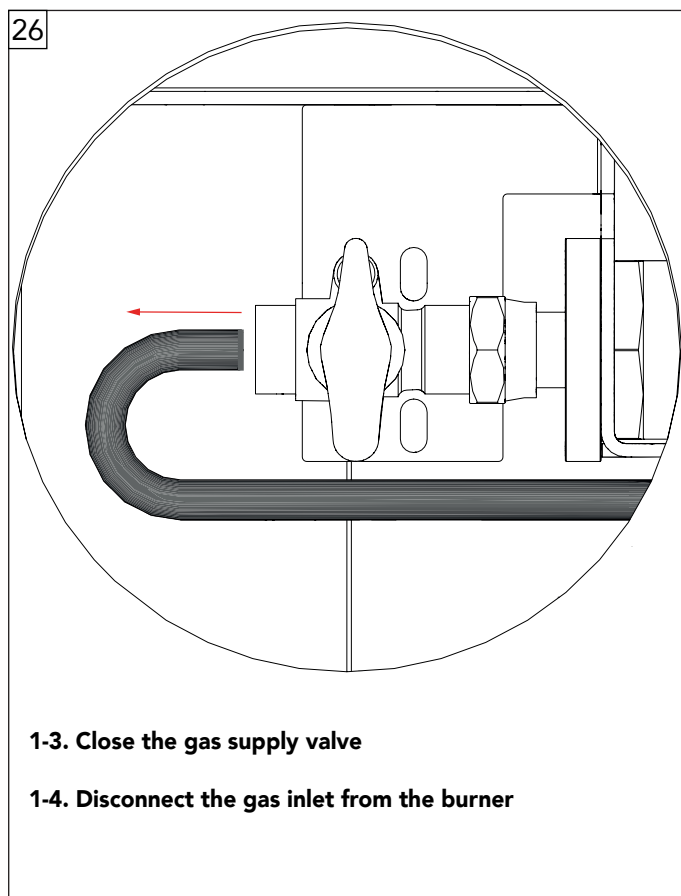
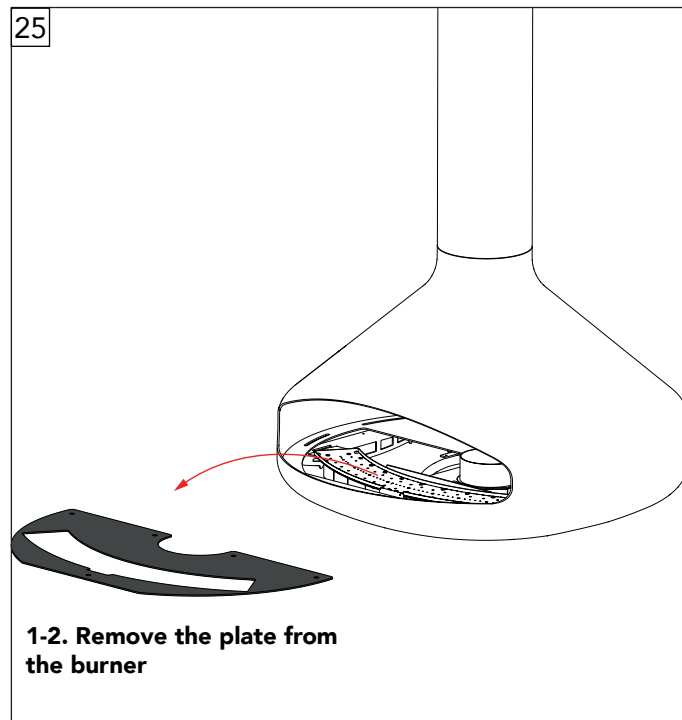
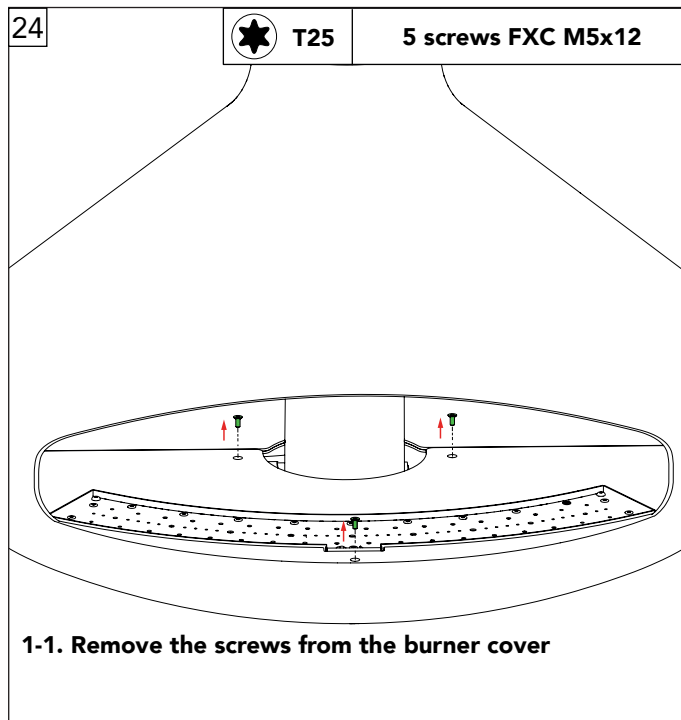
NOTE: After checking the pressures and removing the manometers, the screws in the Pressure Test points must be closed, and the system must be checked for gas-tightness.

D. BURNER PRESSURE ADJUSTMENT FOR HIGH ALTITUDES ($\geq 2000'$) (≥ 610 m)

The conversion shall be carried out by a manufacturer's authorized representative, in accordance with the requirements of the manufacturer, provincial, or territorial authorities having jurisdiction and in accordance with the requirements of the CSA B149.1 or CSA B149.2 installation codes.

INSTALLATION INSTRUCTIONS

1. Take off the burner.



INSTALLATION INSTRUCTIONS

2. Measuring the Burner Pressure :

The image below illustrates the two pressure measuring tappings present on the control. Each tapping is accompanied by an arrow for clarity. The first arrow, pointing outward from the control, represents the burner pressure. The second arrow indicates the gas supply pressure, pointing inward towards the control.

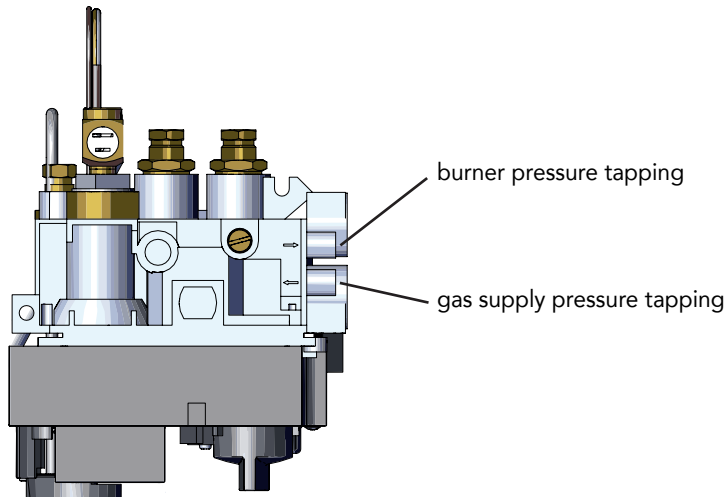


Fig 21

It is essential to measure the gas supply pressure at the arrow pointing towards the inside of the gas block (Fig 21).

When the control is in the OFF position, unscrew the screw inside the tapping (without removing it), and connect the tube of the manometer to the tapping. Afterward, proceed to ignite the burner. The numerical value displayed on the manometer at this point represents the Burner Pressure.

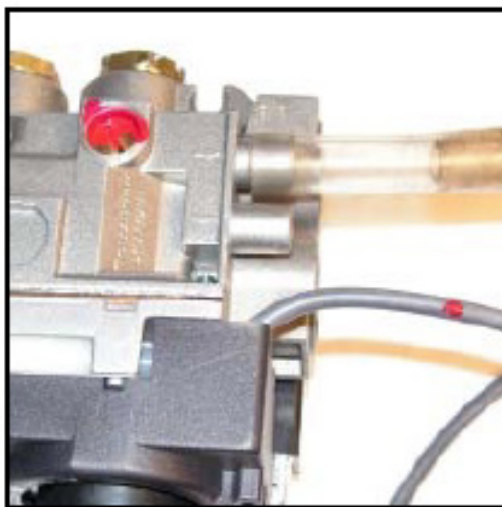


Fig 22

INSTALLATION INSTRUCTIONS

3. Setting the burner pressure :

The adjustment of the setting screw is facilitated through a hole in the front cover of the control, which may be covered by a plastic plug. If a plug is present, remove it.

Proceed to adjust the setting screw until the burner pressure reaches 4.5 inches of WG (11.2 mbar) for Natural Gas and 8 inches of WG (19.9 mbar) for Propane Gas. It is essential to make this adjustment when the burner has been ignited for approximately 10 minutes and has attained a state of sufficient heat.

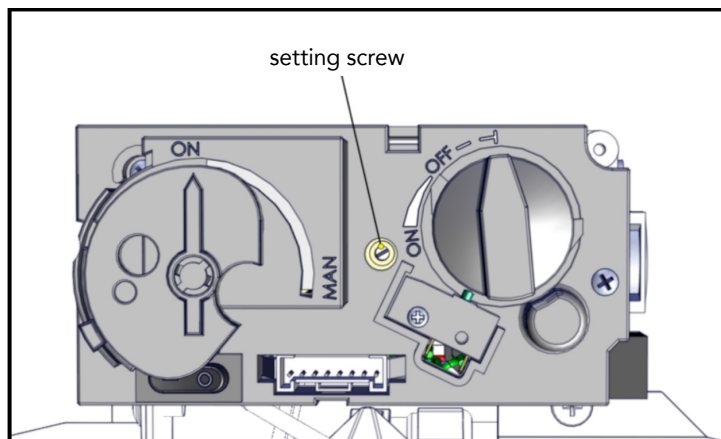


Fig 23

4. Turn off the burner, detach the tube, and tighten the screw.

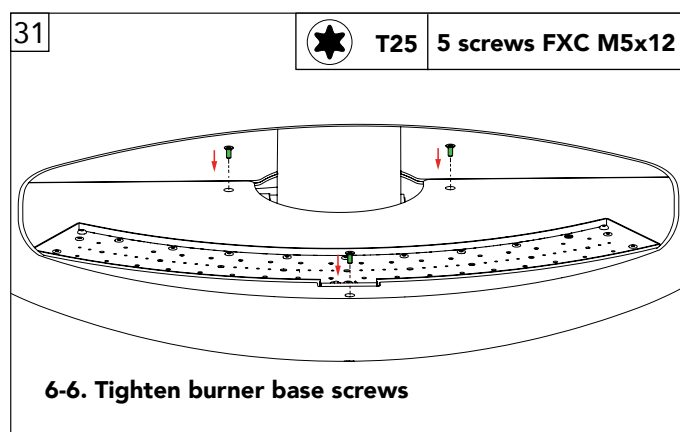
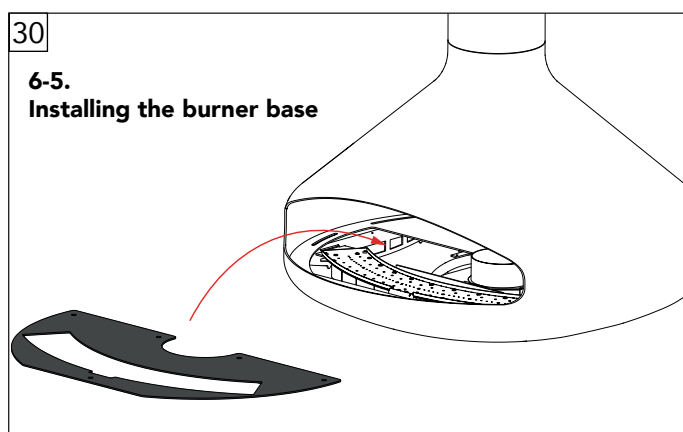
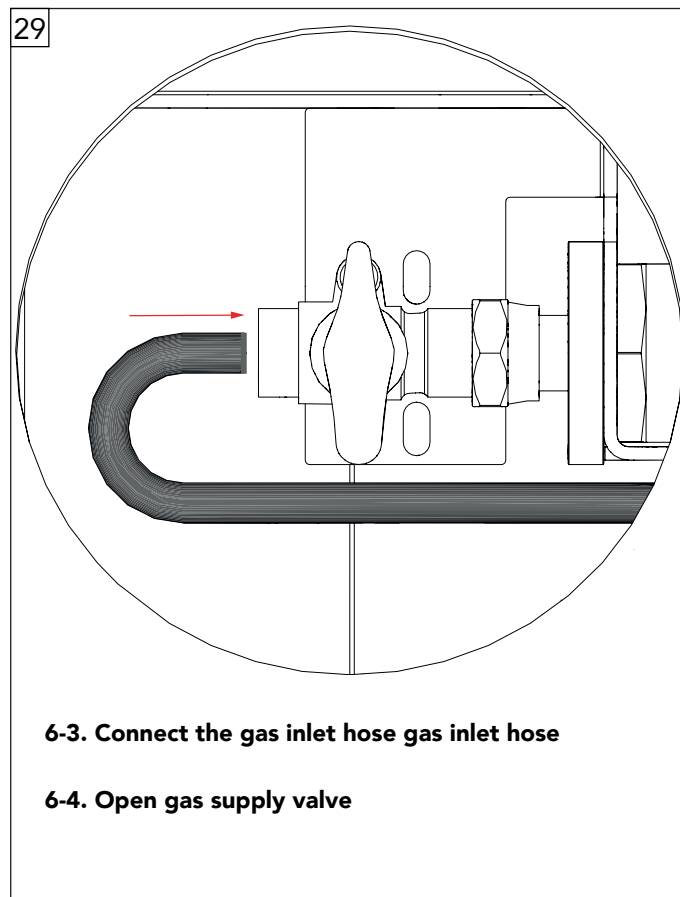
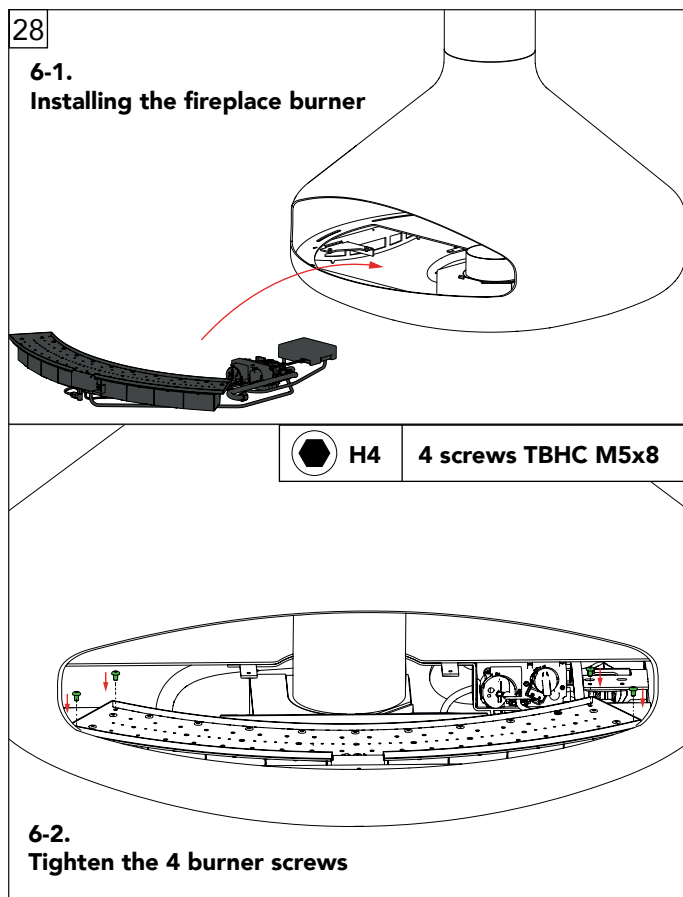
5. Complete and affix the following label after the conversion:

This appliance has been converted for use at high altitude of : <input type="text"/> ft
Orifice size (Injector size) : <input type="text"/>
Manifold Pressure : <input type="text"/> WG"
Input : <input type="text"/> BTU/Hr
Date of Conversion : <input type="text"/>
Converted by : <input type="text"/>
Please note this Appliance (Ergofocus) Model N° <input type="text"/> can be installed up to a high altitude of 4500'

Fig 24

INSTALLATION INSTRUCTIONS

6. Reinstall the burner.



WARNING

Following the burner adjustment, it is imperative to conduct a thorough check for gas tightness in the system.

INSTALLATION INSTRUCTIONS

■ ARRANGEMENT OF THE CERAMIC LOGS

Only the ceramics supplied with this appliance should be used. The placement of ceramics should be done only according to the instructions on the following pages. Spare parts are available from your dealer but should only be installed by a qualified installer.

IDENTIFICATION OF INSTALLATION KIT PARTS :



Black vermiculite



Small black pebbles



Grey mini chips

Fig 25



log 1



log 2



log 3



log 4



log 6



log 8

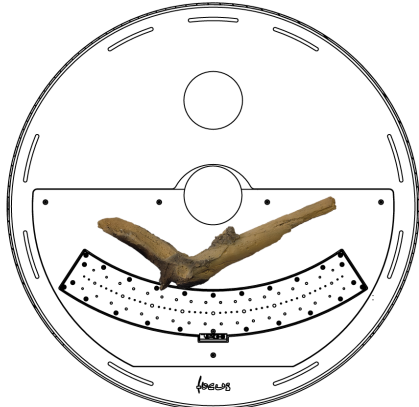


log 5 - 7 - 9

Fig 26

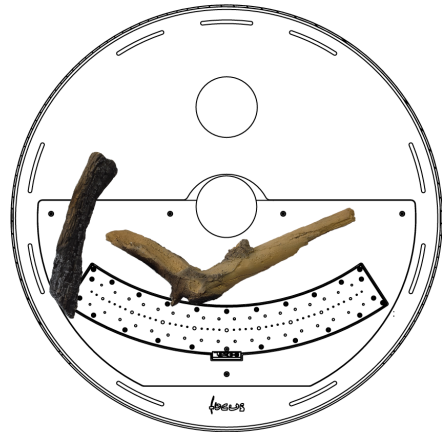
INSTALLATION INSTRUCTIONS

1



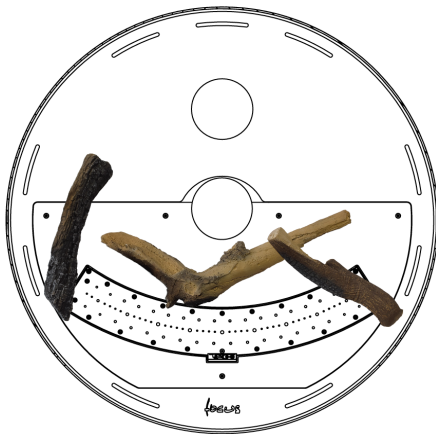
log 1

2



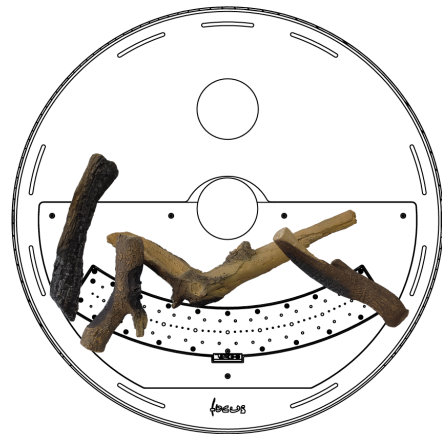
log 2

3



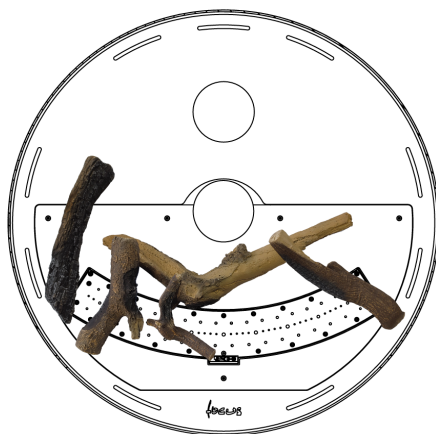
log 3

4



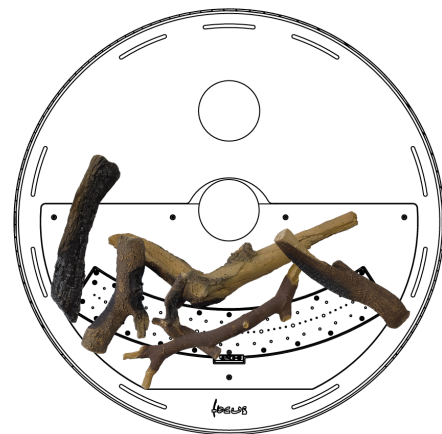
log 4

5



log 5

6

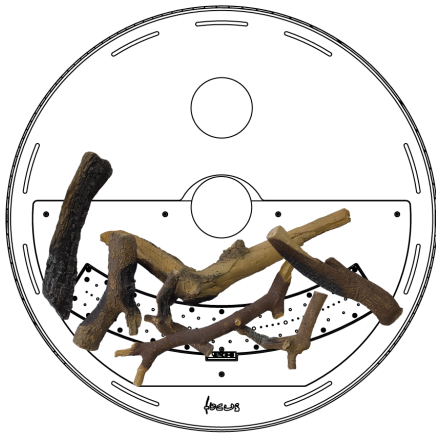


log 6

Scatter the grey mini chips making sure that no grey chips enter the Pilot area.

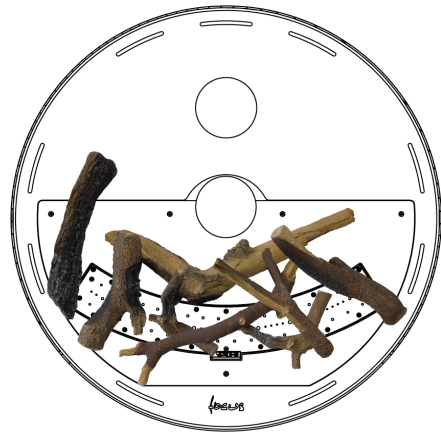
INSTALLATION INSTRUCTIONS

7



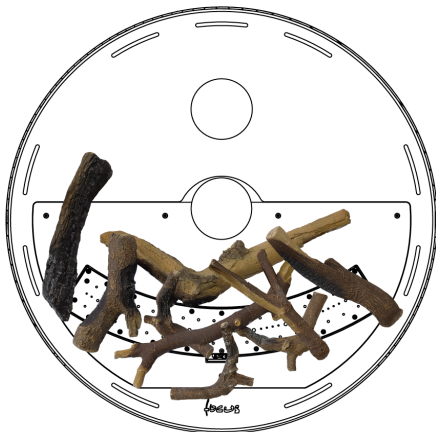
log 7

8



log 8

9



log 9

Scatter black vermiculites, black small pebbles.

The layout is now complete.

Ensure that the Pilot area is still left clear, and check the correct lighting of the Pilot and that the Pilot cross lights to the main burner smoothly.

■ BRIEFING THE CUSTOMER

Provide the user with all instructions for safekeeping. Demonstrate how to light and control the fire to the customer. Following the commissioning of the appliance, instruct the customer on its safe usage and emphasize the importance of regular servicing. The frequency of servicing should be based on usage but must be performed at least once annually.

USER INSTRUCTIONS

■ BATTERY TYPE

Receiver : 4 x 1,5V "AA", R6 size.

Remote control : 2 x 1,5V "AAA" (Alkaline only).

■ FLUE SPILLAGE MONITORING SYSTEM

This fireplace is equipped with a flue spillage safety device. If the fire unexpectedly shuts down during use, consider the following possibilities. If a door or window has been opened, creating a draft, the issue may be pilot disturbance, and eliminating the draft should resolve it.

If the appliance is shut down by the Flue Monitoring System, the appliance can be relit after a minimum period of 3 minutes. Ensure the appliance is fully turned to the "OFF" position first, and then follow the relighting instructions detailed in the following pages.

If the monitoring system repeatedly operates and shuts down the appliance, turn the appliance OFF, refrain from further use, and promptly engage a gas technician.

■ INSTRUCTIONS

A. GENERAL NOTES

INDICATION

Complete the wiring of the gas block and receiver before initiating ignition. Failure to do so may lead to damage to electronic components.

Batteries – Remote control

- Low Battery Indicator on Remote Controls with Screens.

Batteries – Receiver

- Low battery indicator: frequent beep for 3 seconds when the motor is running.
- An AC main adapter can be used instead of batteries.



⚠ WARNING

- Remove used or depleted batteries, as leaving them in the unit could lead to overheating, leakage, and/or explosion.
- **DO NOT** exposing the batteries to direct sunlight, excessive heat, fire, moisture, or severe impacts, including during storage and NEVER mix used and new batteries or combine different battery brands. Such exposure may result in overheating, leakage, and/or explosion.

Software version

Simultaneously press the  and  buttons. The software version is displayed.

Remote control model number

Simultaneously press the  and . The remote control model is displayed.

Disabling functions :

1. Install the batteries. All icons will be displayed and blinking.
2. When the icons are blinking, press and hold the corresponding function button for 10 seconds.
3. The function icon will continue to blink until the deactivation is complete. Deactivation is finished when the function icon and two horizontal bars are displayed.

NOTE : No function and two horizontal bars are displayed when a disabled button is pressed.

NOTE : Deactivation remains effective after changing batteries.

Activating functions :

1. Install the batteries. All icons will be displayed and blinking.
2. To activate a function, press the corresponding button for 10 seconds.
3. The function icon will continue to blink until activation is complete. Activation is finished when the function icon is displayed.

The following functions can be disabled/enabled :

- CHILD LOCK.
- PROGRAM MODE.
- THERMOSTATIC MODE (also disables PROGRAM MODE).
- ECO MODE.
- TIMER.

B. PAIRING THE REMOTE CONTROL

The remote control is paired at the manufacturer. If you need to re-pair the remote control, please follow these instructions:

1. Press the RESET button on the receiver until two (2) beeps sound.
2. After the second, longer beep, release the RESET button.
3. Within the next 20 seconds, press the button on the remote control until two short beeps sound, confirming that the code is set.

NOTE : This setting is not necessary when replacing batteries in the remote control or receiver.

USER INSTRUCTIONS

MANUAL CONTROL

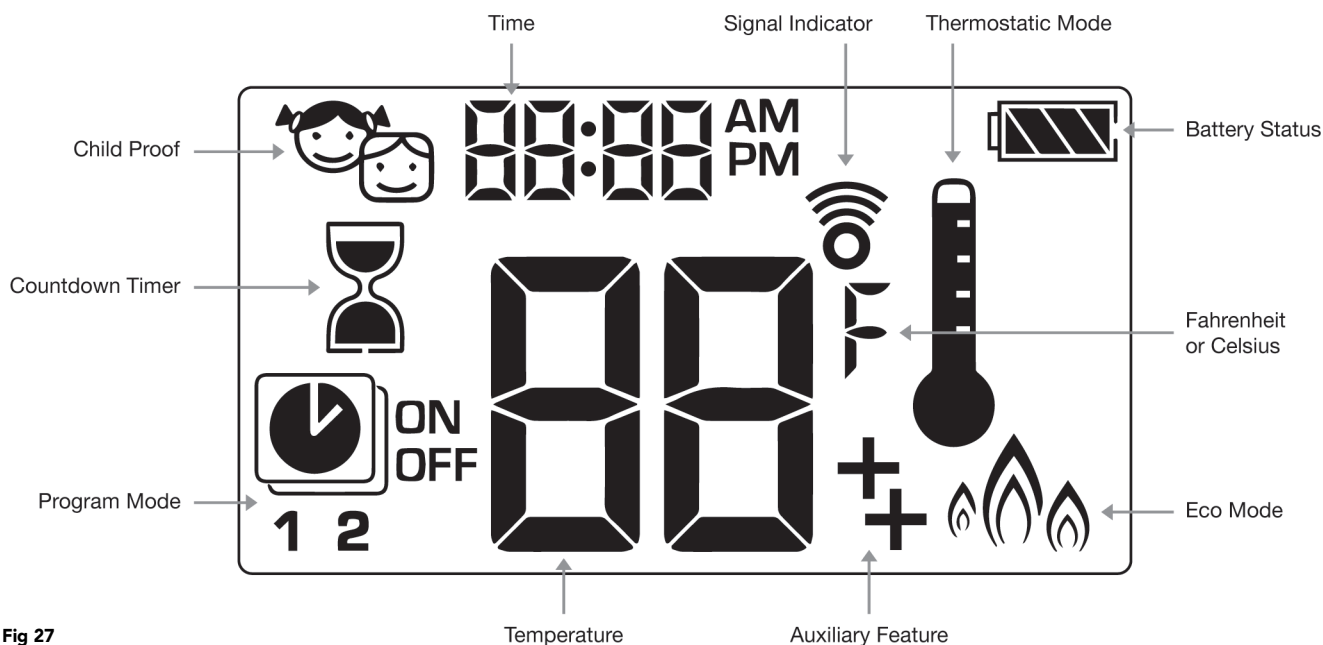


Fig 27

A. SETTING FAHRENHEIT OR CELSIUS



To change between °C and °F, press and buttons simultaneously.

NOTE: Choosing °F results in a 12 hour clock. Choosing °C results in a 24 hour clock.

C. CHILD PROOF



ON:

To activate press and buttons simultaneously. displayed and the handset is rendered inoperable, except for the off function.

OFF:

To deactivate press and buttons simultaneously. disappears.

B. SETTING THE TIME



1. Press and buttons simultaneously. Day flashes.
2. Press or button to select a number to correspond with the day of the week (e. g. 1 = Monday, 2 = Tuesday, 3 = Wednesday, 4 = Thursday, 5 = Friday, 6 = Saturday, 7 = Sunday).
3. Press and buttons simultaneously. Hour flashes.
4. To select hour press or button.
5. Press and buttons simultaneously. Minutes flash.
6. To select minutes press or button.
7. To confirm press and buttons simultaneously or wait.

D. MANUAL MODE (HANDSET)

NOTICE

BEFORE OPERATING ensure the MANUAL knob on the combination control is set to the ON position, rotated fully counterclockwise.

TO TURN ON FIRE

WARNING

When pilot ignition is confirmed, motor turns automatically to maximum flame height.

USER INSTRUCTIONS



Handset One-Button Operation (Default Setting)

- Press button until two short beeps and a blinking series of lines confirms the start sequence has begun; release button.
- Main gas flows once pilot ignition is confirmed.
- Handset automatically goes into Manual Mode after main burner ignition.

NOTICE

Change from one-button to two-button ignition operation by pressing and holding button for 10 sec. immediately after installing batteries. ON is displayed and 1 is flashing. When change is complete 1 will change to 2.



Handset Two-Button Operation

- Press and button simultaneously until two short beeps and a blinking series of lines confirms the start sequence has begun; release buttons.
- Main gas flows once pilot ignition is confirmed.
- Handset automatically goes into Manual Mode after main burner ignition.

NOTICE

Change from two-button to one-button ignition operation by pressing and holding button for 10 sec. immediately after installing batteries. ON is displayed and 2 is flashing. When change is complete 2 will change to 1.

STANDBY MODE (PILOT FLAME)

Handset

- Press and hold button to set appliance to pilot flame.



TO TURN OFF FIRE

Handset

- Press button to turn OFF.

NOTE: A new ignition is possible after the OFF icon stops flashing.

FLAME HEIGHT ADJUSTMENT



Handset

- To increase flame height press and hold button.
- To decrease flame height or to set appliance to pilot flame, press and hold button.

E. DESIGNATED LOW FIRE AND HIGH FIRE

NOTE: Backlight must be on for high fire and low fire double-click operation.



- To go to low fire, double-click button. is displayed.

NOTE: Flame goes to high fire first before going to low fire.



- To go to high fire, double-click button. is displayed.

USER INSTRUCTIONS

F. COUNTDOWN TIMER



ON/SETTING:

1. Press and hold button until displayed, and hour flashes.
2. To select hour press or button.
3. To confirm press button. Minutes flash.
4. To select minutes press or button.
5. To confirm press button or wait.

OFF:

Press button, and countdown time disappear.

NOTE: At end of countdown time period, the fire shuts off. The Countdown Timer only works in Manual, Thermostatic, and Eco Modes. Maximum countdown time is 9 hours and 50 minutes.

G. MODES OF OPERATION



Thermostatic Mode

The room temperature is measured and compared to the set temperature. The flame height is then automatically adjusted to achieve the set temperature.



Program Mode

PROGRAMS 1 and 2, each can be programmed to go on and off at specific times at a set temperature.



Eco Mode

Flame height modulates between high and low. If the room temperature is lower than the set temperature, the flame height stays on high for a longer period of time. If the room temperature is higher than the set temperature, the flame height stays on low for a longer period of time. One cycle lasts approx. 20 min.

H. THERMOSTATIC MODE

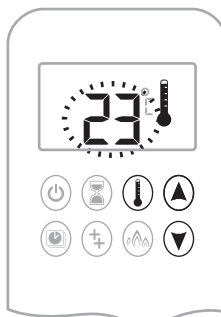


ON:

Press button. displayed, preset temperature displayed briefly, and then room temperature displayed.

OFF:

1. Press button.
2. Press or button to enter Manual Mode.
3. Press button to enter Program Mode.
4. Press button to enter Eco Mode.



SETTING:

1. Press button and hold until displayed, temperature flashes.
2. To adjust set temperature press or button.
3. To confirm press button or wait.

I. PROGRAM MODE



ON:

Press button. , 1 or 2, ON or OFF displayed.



OFF:

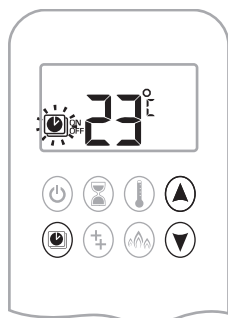
1. Press or or button to enter Manual Mode.
2. Press button to enter Thermostatic Mode.

NOTE: The set temperature for Thermostatic Mode is the temperature for the on time in Program Mode. Changing the Thermostatic Mode set temperature also changes the on time temperature in Program Mode.

USER INSTRUCTIONS

Default settings:

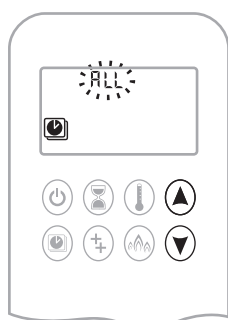
On time (Thermostatic) Temperature: 21 °C (70 °F)
 Off time Temperature: "--" (pilot flame only)



TEMPERATURE SETTING:

1. Press button and hold until flashes. ON and set temperature (setting in Thermostatic Mode) displayed.
2. To continue press button or wait. OFF displayed, temperature flashes.
3. Select off temperature by pressing the or button.
4. To confirm press button.

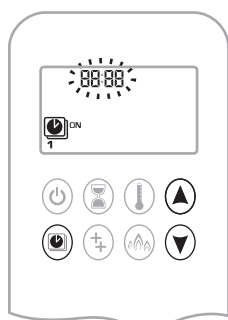
NOTE: The on (Thermostatic) and off set temperatures are the same for each day.



DAY SETTING:

5. ALL flashes. Press or button to choose between ALL, SAT/SUN, 1, 2, 3, 4, 5, 6, 7.
6. To confirm press button.

ALL selected



ON TIME SETTING (PROGRAM 1):

7. 1, ON displayed, ALL is displayed shortly, and hour flashes.
8. To select hour press or button.
9. To confirm press button. 1, ON displayed, ALL displayed shortly, and minutes flash.
10. To select minutes press or button.
11. To confirm press button.



OFF TIME SETTING (PROGRAM 1):

12. 1, OFF displayed, ALL is displayed shortly, and hour flashes.
13. To select hour, press or button.
14. To confirm press button. 1, OFF displayed, ALL displayed shortly, and minutes flash.
15. To select minutes press or button.
16. To confirm press button.

NOTE: Either continue to PROGRAM 2 and set on and off times or stop programming at this point, and PROGRAM 2 remains deactivated.

NOTE: PROGRAM 1 and 2 use the same on (Thermostatic) and off temperatures for ALL, SAT/SUN and Daily Timer (1, 2, 3, 4, 5, 6, 7). Once a new on (Thermostatic) and / or off temperature has been set, that temperature becomes the new default setting.

NOTE: If ALL, SAT/SUN or Daily Timer are programmed for PROGRAM 1 and PROGRAM 2 on and off times, these become the new default times. The batteries must be removed to clear the PROGRAM 1 and PROGRAM 2 on and off times and temperatures.

SAT/SUN or Daily Timer (1, 2, 3, 4, 5, 6, 7) selected

- Set on time and off time using same procedure as "ALL selected" (above).
- SAT/SUN: Set on time and off time for both Saturday and Sunday.
- Daily Timer: Unique on and off times may be set for a single day of the week, for multiple days of the week, or for every day of the week.
- Wait to finish setting.

J. ECO MODE



ON:

Press button to enter Eco Mode. displayed.

OFF:

Press button. disappears.

USER INSTRUCTIONS

■ MANUAL SWITCH-OFF

When the appliance needs to be switched off manually, for example if the remote control has been lost or the batteries are flat, close the gas shut-off valve located under the fireplace (see picture below).

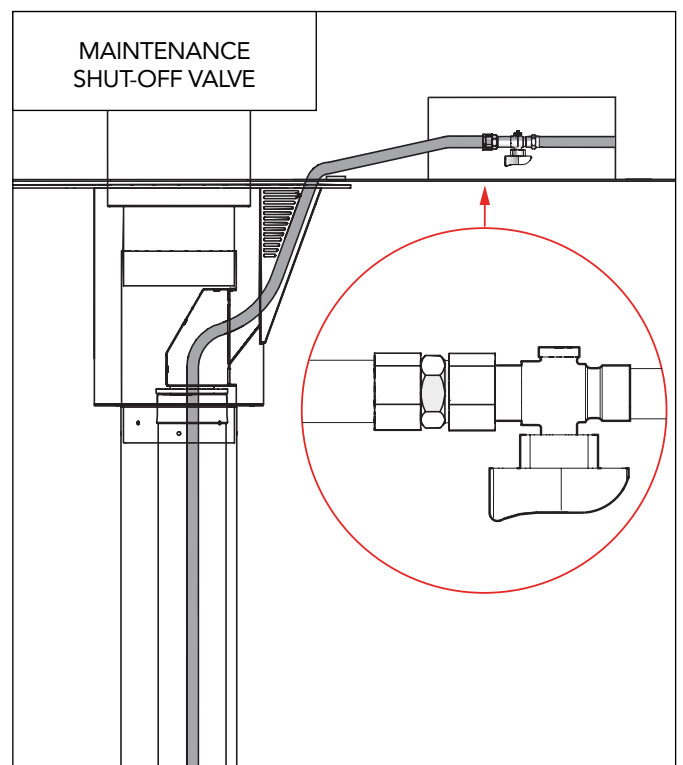
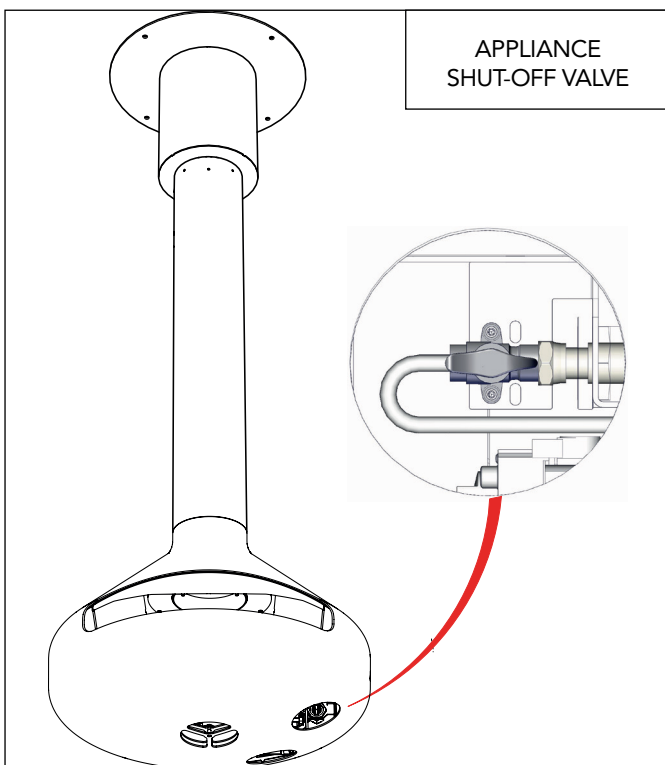


Fig 28

USER INSTRUCTIONS

■ SERVICING INSTRUCTIONS

This appliance should be inspected and serviced once a year by a qualified person and approved by European Home. The inspection and maintenance must at least ensure that the appliance is working correctly and safely. It is advisable to clean the appliance of any dust and debris before regularly during the heating season and especially if the appliance has not been used for some time. This can be done with a soft brush and a vacuum cleaner or a damp cloth and if required a non-abrasive cleaning agent. Do not use corrosive or abrasive substances to clean the appliance.

1. Lay out the tools.
2. Inspect the area around the top of the fireplace opening for signs of spillage.
3. Carefully remove the ceramic components. Use a soft brush to clean off ceramics. The use of a vacuum cleaner directly on the ceramics is not recommended. Replace any broken ceramics.
4. Carefully remove the covers, clean the covers and the top of the burner, a vacuum cleaner and brush may be used.
5. Isolate the gas supply at the appliance inlet, and disconnect the gas supply pipe.
6. Remove the screws securing the burner to the hearth.
7. Remove the burner unit from the fireplace opening.
8. Check the base of the fireplace opening for rubble accumulation and remove. If debris is excessive, initiate remedial work on the flue.
9. Check the flue with smoke pellet for correct operation.
10. Clean out the injector and pilot assembly. DO NOT attempt to dismantle the pilot unit.
11. Ensure the injector is aligned squarely in the injector bracket. Re-assemble and re-fit the burner tray.
12. Refit and replace the ceramics, using genuine spares where necessary.
13. Turn on the gas supply, and leak test.
14. Check any purpose provided ventilation is un-obstructed.
15. Light the fire and test for spillage.
16. Check setting pressure and safe operation of the appliance.

CAUTION

To clean the outer surfaces, use a soft, dry rag, ensuring the metal has cooled. For ongoing use of the touch-up paint can after the initial application, invert the can (spray head down) and spray into a balled-up newspaper until the can sprays clear. Wipe the bottom of the spray can with a dry rag and store it out of the reach of children. It's important to note that the provided spray paint is the only recommended paint for use.

■ SPARE PARTS

- Burner, Curve Natural.
- Burner, Curve LPG.
- Pilot Natural (ODS).
- Pilot LPG (ODS).
- Injector Natural (Stereomatic Marking, 1200).
- Injector LPG (Stereomatic Marking - 400).
- Control Valve (Mertik GV60).
- Full Control Remote Symax.

For ordering replacement parts, please contact the Focus North American exclusive importer:



30 Log Bridge Road
Building 300 – Suite 303
Middleton, MA 01949
T: 781-324-8383
www.europeanhome.com

USER INSTRUCTIONS

■ WARRANTY

All our Focus models come with a warranty covering any defects in design, construction, or manufacture. This warranty ensures proper functionality for a period of 2 years from the date of order.

It is important to note that our product guarantees are valid only when our fireplaces have been installed in accordance with all local building codes and meticulous adherence to the technical specifications outlined in our Plan Study, installation, maintenance, and user manuals.

Please be aware that our guarantees do not cover accidental damages, including those occurring during transport without written notification upon receipt, damages sustained during installation, and damages resulting from improper use.

APPENDIX

■ MERTIK FAULT FINDING CHART

FUNCTION		POSSIBLE CAUSE		REMEDY	
1	HANDBET START: Press both buttons to start ignition (IGN) sequence. Beep will occur each second.	No →	Transmitter batteries low.	Replace transmitter batteries.	
			Receiver batteries low.	Replace receiver batteries with 1.5V "AA" quality alkaline batteries.	
			Check coding of transmitter and receiver. (Initial sync.)	Learn new code (reset). See label on receiver.	
			Transmitter distance limited.	1. Straighten the antenna. 2. Replace receiver. See wiring diagram, p. 45.	
OK ↓					
2	Magnet unit is energized (audible thud to detect functionality).	No →	No beep →	Impulse magnet not operating properly.	Replace gas valve.
			3 short beeps →	Low batteries.	Replace receiver batteries with 1.5V "AA" quality alkaline batteries.
			1 long beep →	8-wire cable Off/not operating properly.	Check 8-wire cable.
			SW-cable disconnected.	Check cable connection. See figure 29 on page 43	
			Motor not operating properly.	Replace gas valve.	
			Micro switch not operating properly.	Replace gas valve.	
			OK ↓		

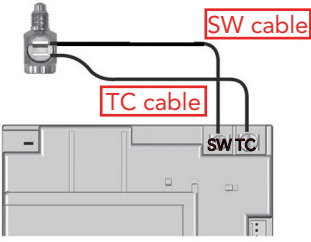
APPENDIX

FUNCTION		POSSIBLE CAUSE	REMEDY
3	Spark will occur each second.	No → Ignition components not operating properly.	Check connection between cable & IGNelectrode. See wiring diagram, p. 45.
			Check IGN-electrode spark gap. See wiring diagram, p. 45.
			Check IGN-electrode. See wiring diagram, p. 45.
			Check IGN-cable for damage. See wiring diagram, p. 45.
			Increase distance between IGN-cable and all metal parts. Shorten IGN-cable if possible or cover, e.g. silicon hose. See wiring diagram, p. 45.
	No → IGN-sequence stops, no pilot flame. No reaction to transmitter command. (Controller crashes.)	Press RESET button. See "pairing the remote control" p. 33.	
		Add ground wire between pilot burner and valve. See wiring diagram, p. 45.	
		Do not coil the IGN-cable.	
		Shorten IGN-cable if possible (no longer than 2' 11" (900 mm)). See wiring diagram, p. 45.	
	No → IGN-sequence stops, no pilot flame. Transmitter command is possible.	Replace receiver batteries with 1.5V "AA" quality alkaline batteries.	

OK



APPENDIX

FUNCTION		POSSIBLE CAUSE		REMEDY	
4	Pilot lit.	No →	TC- and SW-cable reversed.	Check connection of cable to receiver and interrupter. See figure 29.	
			Magnet unit not operating properly.	Replace gas valve or (magnet unit).	
			Short between interrupter and SW-cable.	Check connection to interrupter.	
			No gas (magnet unit drops after 30 second audible count).	Check gas supply.	
		 <p>Fig 29</p>			
OK ↓					
5	Sparkling stops after pilot is lit.	No →	Short between interrupter and TC-cable.	Check connection to interrupter. See figure 29.	
			Electronic measuring amplifier defective.	Replace Receiver. See wiring diagram, p. 45.	
OK ↓					
6	Motor turns to main gas and pilot stays lit.	No →	Resistance in thermo current circuit too high.	Check cable in thermo-current circuit. See wiring diagram, p. 45.	
			Magnet unit drops (audible sound).	Not enough heat on thermocouple.	Check position of pilot to thermocouple and intensity of pilot flame.
			Low voltage from thermocouple.	Replace thermocouple Do not overtighten (hand tight +1/4 turn max).	
			Short because thermocouple end is damaged or not centered.	Replace thermocouple. Do not overtighten (hand tight +1/4 turn max).	
		No →	IGN-sequence stops. No reaction to transmitter command (Controller crashes).	Press RESET button. See "pairing the remote control" p. 33.	
			Add ground wire between pilot burner and valve. See wiring diagram, p. 45.	Do not coil the IGN-cable.	
OK ↓		Shorten IGN-cable if possible (no longer than 2' 11" (900 mm)). See wiring diagram, p. 45.			

APPENDIX

FUNCTION		POSSIBLE CAUSE		REMEDY
7	Main burner is lit.	No →	Manual knob in "MAN" position.	Turn manual knob to "ON" position (positive latch is required).
	OK ↓			
8	Main burner stays lit.	No →	Too much draft at pilot (poor flame impingement of thermo-couple).	Check installation.
	OK ↓			
9	Magnet unit drops while motor turns. 3 beeps.	No →	Low batteries.	Replace receiver batteries with 1.5V "AA" quality alkaline batteries.

APPENDIX

■ WIRING DIAGRAM

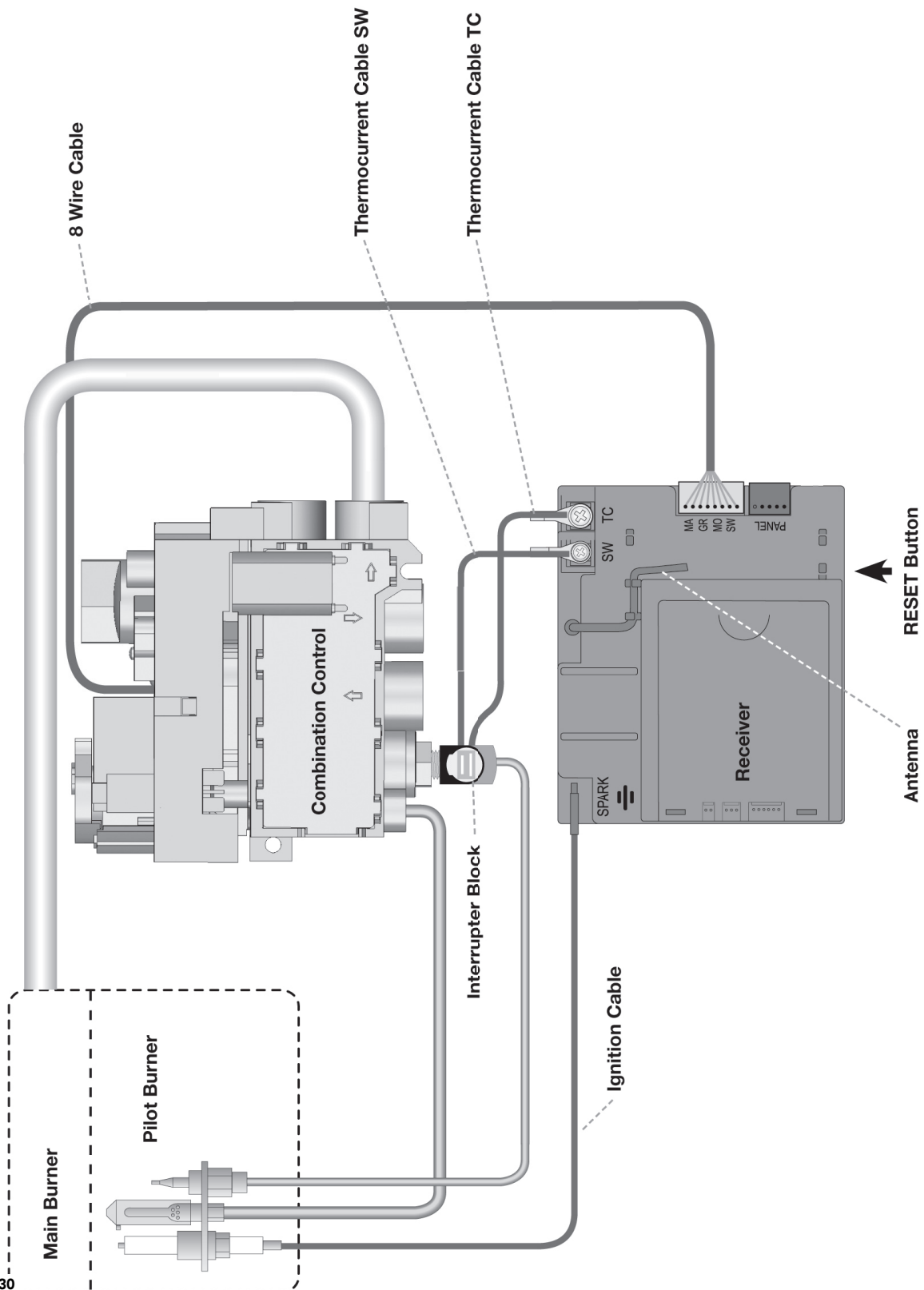


Fig 30

NOTE

A series of horizontal dotted lines for writing notes.

NOTE

A series of horizontal dotted lines for writing notes.



CREATE BEYOND CONVENTION