



CREATE BEYOND CONVENTION

DOMOFOCUS

Design Installation
& Operating Manual



Tested by OMNI-Test Laboratories, Inc. and approved to

UL 737-2011 and ULC S627-23

US EPA exempt

Report Number : 0304WF021S

This document was packed with the appliance.
KEEP THESE INSTRUCTIONS FOR FUTURE USE



Table of contents

Introduction

INTRODUCTION	2
SPECIFICATIONS	3
■ CHARACTERISTICS	3
■ ROOF OUTLET REQUIREMENT	4
■ CHIMNEY REQUIREMENT	4
■ STRUCTURAL REQUIREMENT	5
■ CONNECTOR	5
■ FRESH AIR INTAKE	5
■ CLEARANCES TO COMBUSTIBLES	6
A. FLOOR PROTECTION	
B. CLEARANCES TO WALLS	
C. WALL CLEARANCE WITH 360° ROTATION FIREPLACE	
D. WALL CLEARANCE WITH OPTIONAL ROTATION RESTRICTOR	
INSTALLATION	8
■ INCLUDED PARTS, MATERIALS AND REQUIRED TOOLS FOR INSTALLATION	8
■ ASSEMBLY DETAILS	8
A. STAINLESS STEEL CHIMNEY SYSTEM PLATE SETUP AND CONNECTION	
B. FLUE ATTACHMENT TO ANCHOR PLATE	
C. ORDER IN WHICH TO TIGHTENING THE PLATE SCREWS (TO SECURE PROGRESSIVELY)	
D. JUNCTION SLEEVE DETAIL	
E. ROTATING MECHANISM DETAIL	
OPERATING INSTRUCTIONS	10
■ STORAGE / USE OF FLAMMABLE LIQUIDS	10
■ GRATE	10
■ ASHES	10
■ FUEL	10
■ FIRE SCREEN	11
■ BEFORE LIGHTING YOUR FIRST FIRE	11
■ BUILDING, STARTING AND MAINTAINING THE FIRE	12
■ PROTECTIVE GLOVE	12
■ DAMPER OPERATION AND USE	12
MAINTENANCE	13
■ TAKING OUT THE ASHES	13
■ INSPECTION, MAINTENANCE AND CLEANING OF THE CHIMNEY	13
A. REFERING TO FOCUS STEEL FLUE PIPE	
B. REFERING TO CHIMNEY PIPE	
■ SURFACES	14
■ REPLACEMENT PARTS	14
WARRANTY	14
ANNEX	15
■ ADJUSTABLE SUSPENSION PLATE	15
■ ROTATION RESTRICTOR	18
■ HOW TO DETERMINE IF ALTERNATE FLOOR PROTECTION MATERIALS ARE ACCEPTABLE	21
A. PROCEDURE	
B. DEFINITION	

Please thoroughly read this entire manual before installing and using your Focus fireplace. Failure to follow instructions may lead to property damage, bodily injury, or even death. Improper installation of this room heater may result in a house fire. To minimize the risk of fire, adhere to the installation instructions provided. Consult local building or fire officials for information on restrictions and installation inspection requirements in your area.

KEEP THIS MANUAL WITHIN EASY REACH FOR QUICK REFERENCE.

ALL WARNING and **CAUTION** statements will appear in bold font and upper case letters: **THEY SHOULD BE STRICTLY OBSERVED.**

Thank you for choosing focus fireplaces.

Appliance designation:

- Domofocus

Manufacturer:

Focus - Atelier Dominique Imbert

3 impasse Claque Patin - 34380 Viols le fort - France

Specifications

⚠ CAUTION

DO NOT INSTALL IN ANY FIREPLACE. NOT FOR EXTERIOR INSTALLATION!

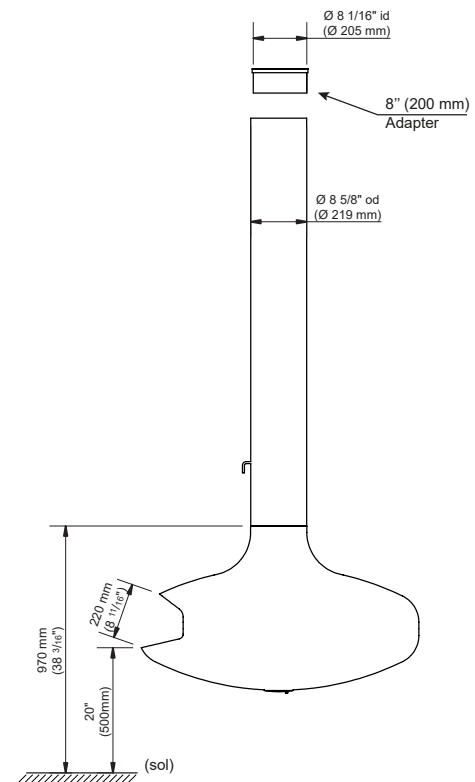
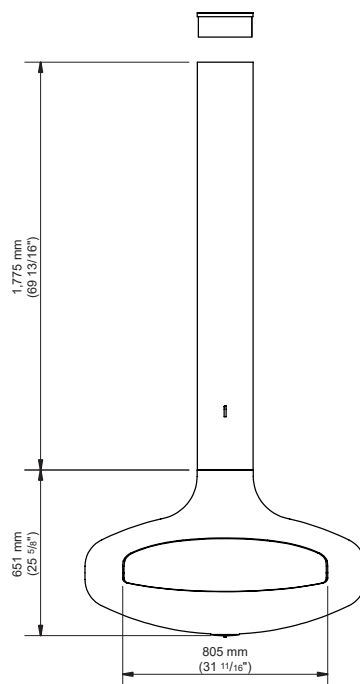
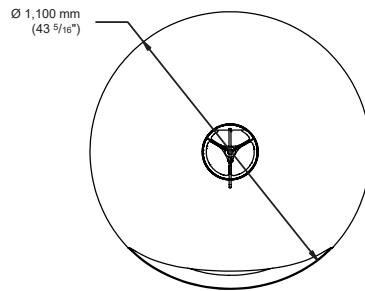
DO NOT CONNECT TO OR USE IN CONJUNCTION WITH ANY AIR DISTRIBUTION DUCTWORK!

NOT TO INSTALL WITH MASONRY CHIMNEY SYSTEM.

- The authority having jurisdiction (such as municipal building department, fire department, fire prevention bureau, etc.) Should be consulted before installation to determine the need to obtain a permit.
- Using make-shift compromises during installation can cause damage. Such installation is not covered under focus limited warranty.
- When this room heater is not properly installed, a house fire may result. To reduce the risk of fire, follow the installation instructions. Contact local building or fire officials about restrictions and installation inspection requirements in your area.

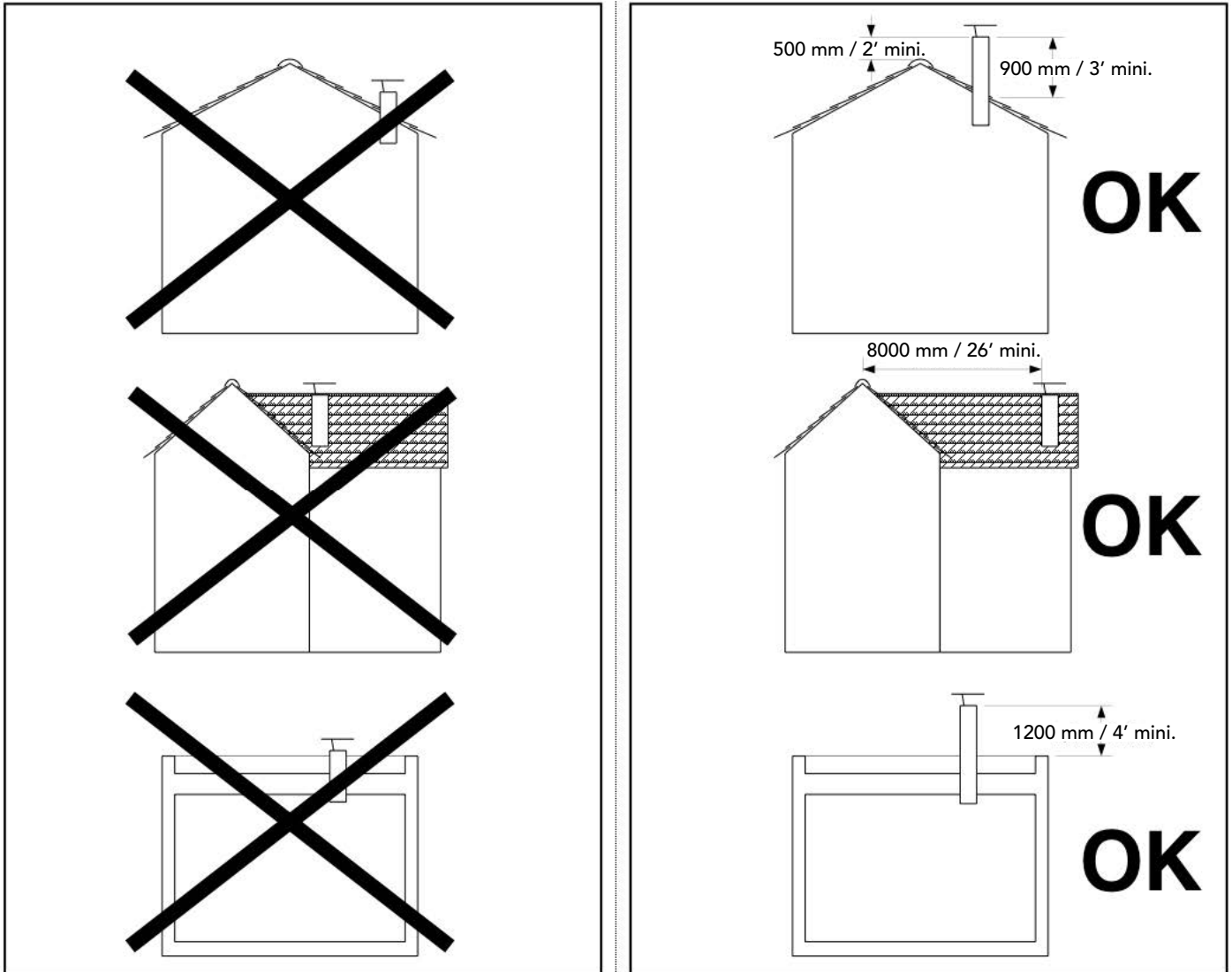
■ CHARACTERISTICS

- Hearth 43 5/16 inch (1100 mm) diameter
- Weight 214 lbs (97 kg)
- Flue diameter: 8 3/8 inch (219mm)
- Length custom-made
- Flue weight: 10.6 lbs per foot (16kg per meter)
- Standard plate weight of 42 lbs (19 kg)
- 1/8 inch (3 mm) thick steel
- High heat resistant paint
- Stainless steel ball-bearing revolving system for a 360° rotation
- Fire screen
- Guaranteed efficiency with a minimum flue length (interior and exterior) of 14' (4250 mm)



Specifications

■ ROOF OUTLET REQUIREMENT



■ CHIMNEY REQUIREMENT

Do not connect this unit to a chimney flue serving another appliance!

Domofocus requirement:

- The total length of flue (inside + outside) must be 14 feet minimum (4250 mm) (17 feet (5200 mm) for an installation less than 3 miles (5 km) from the ocean or if a 30° elbow is necessary).

- The Domofocus must be connected to a chimney complying with the requirements for Type HT chimneys in the standard for Chimneys, Factory-built, Residential Type and Building Heating Appliance, UL 103 / ULC S629. For example, a class A insulated stainless steel flue chimney system with an 8-inch minimum (200 mm) inside diameter.

Specifications

■ STRUCTURAL REQUIREMENT



CAUTION

THE SUPPORT OF THE ANCHOR PLATE (ROOF STRUCTURE, SLAB, ETC.) MUST BE SIZED IN CONGRUENCE WITH THE FIREPLACE STATIC AND DYNAMIC CHARGES. THE SIZE CALCULATION FOR THE SUPPORT IS NOT THE RESPONSIBILITY OF FOCUS OR ITS AFFILIATES. IT IS YOUR RESPONSIBILITY TO CONSULT WITH AN ENGINEER OR ARCHITECT FOR YOUR PROJECT.

■ CONNECTOR

Connectors are all non-insulated chimney parts including focus flue, focus 8" (200 mm) universal adapter and the chimney manufacturer finishing collar with adapter.

To avoid heat traps the chimney connector shall not pass through an attic or roof space, closet or similar concealed space, or a floor, or ceiling.

Passage through an attic, roof frame floor, or ceiling must be done using an insulated chimney respecting all chimney manufacturer clearances.




CAUTION

PASSAGE THROUGH A WALL OR PARTITION OF COMBUSTIBLE CONSTRUCTION IS NOT AN APPROPRIATE INSTALLATION FOR THIS FOCUS FIREPLACE.

■ FRESH AIR INTAKE

For optimal performance, Focus recommends a fresh air intake in the room, ideally positioned below the fire. We suggest using **Deflect-O A0684 semi-rigid aluminum duct**. The minimum size for the fresh air intake is:

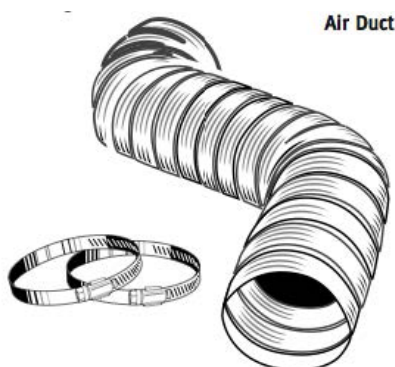
Fresh air intake



OR

2000 mm^2
31 in²

$\text{Ø}160 \text{ mm}$
Ø 6"



IMPORTANT

This fresh air intake is compulsory when operating venting appliances such as kitchen hoods, permanent air extractors or any appliances creating an air depression in the habitation.

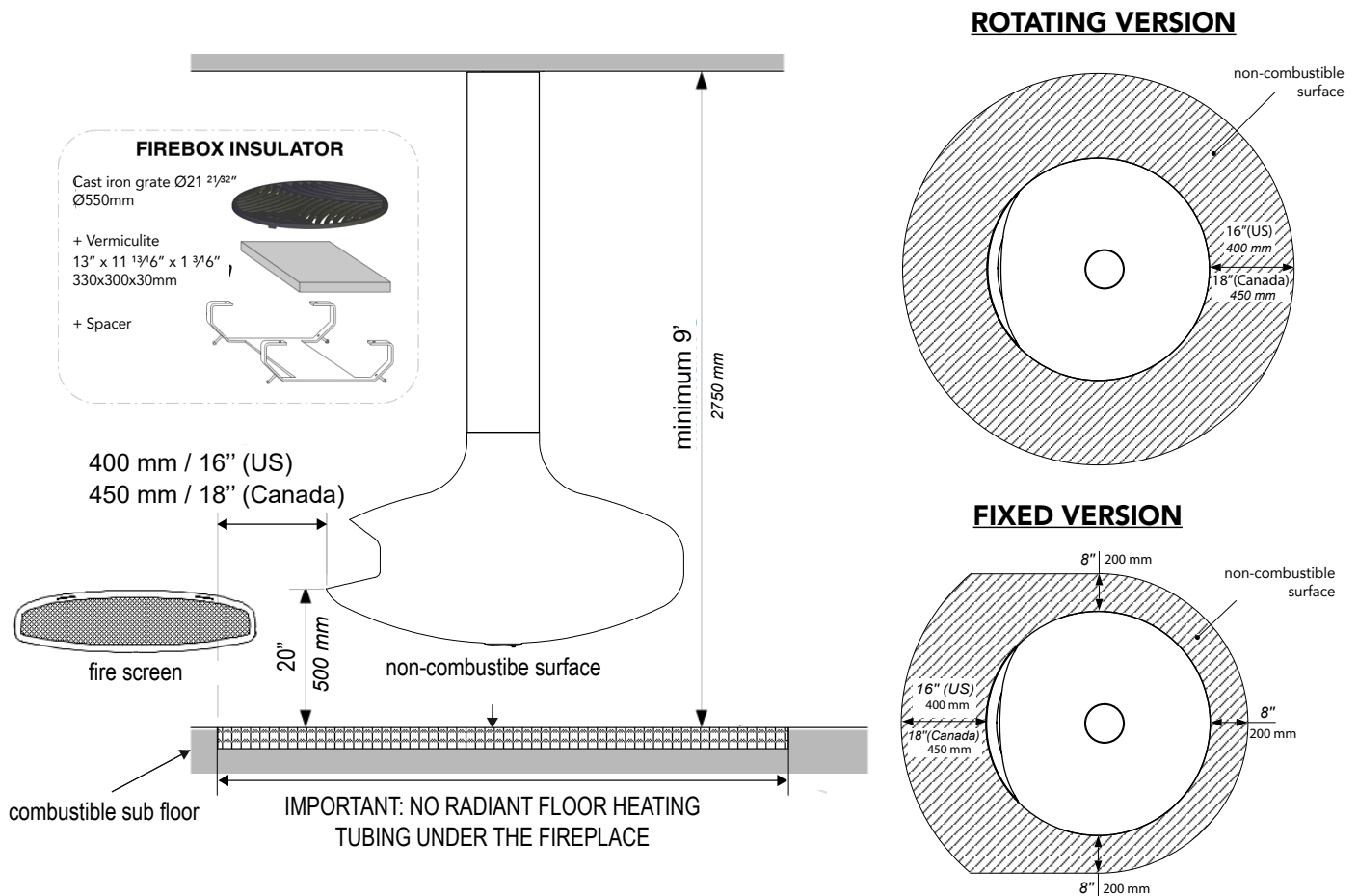
Specifications

■ CLEARANCES TO COMBUSTIBLES

A. FLOOR PROTECTION

Rotating version require 16 inches (400 mm) (US) or 18 inches (450 mm) (Canada) of floor protection on all sides (360°).
 Fixed version require 16 inches (400 mm) (US) or 18 inches (450 mm) (Canada) on the front and to extend 8 inches on the left and right sides as well as for the back side.

Use of provided firebox insulator under the grate (vermiculite) is compulsory.



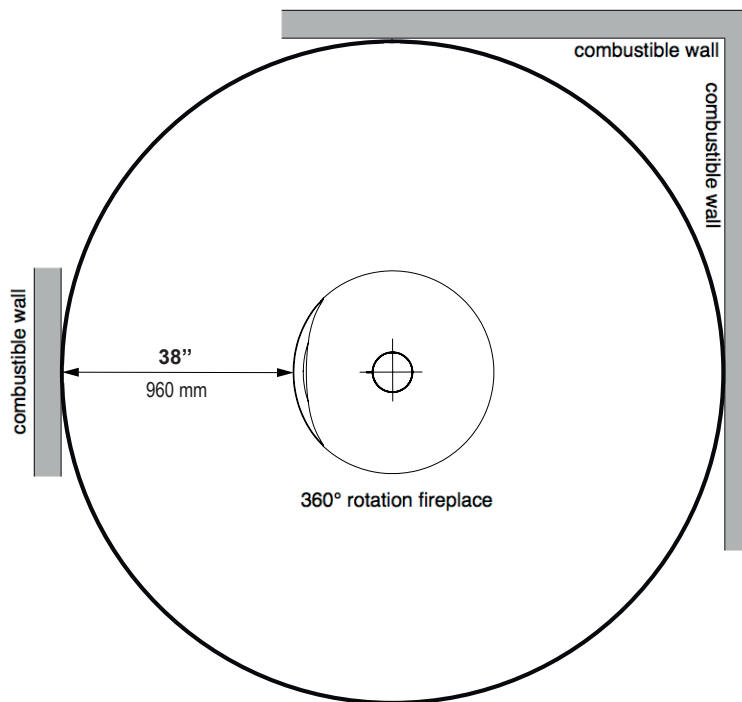
B. CLEARANCES TO WALLS



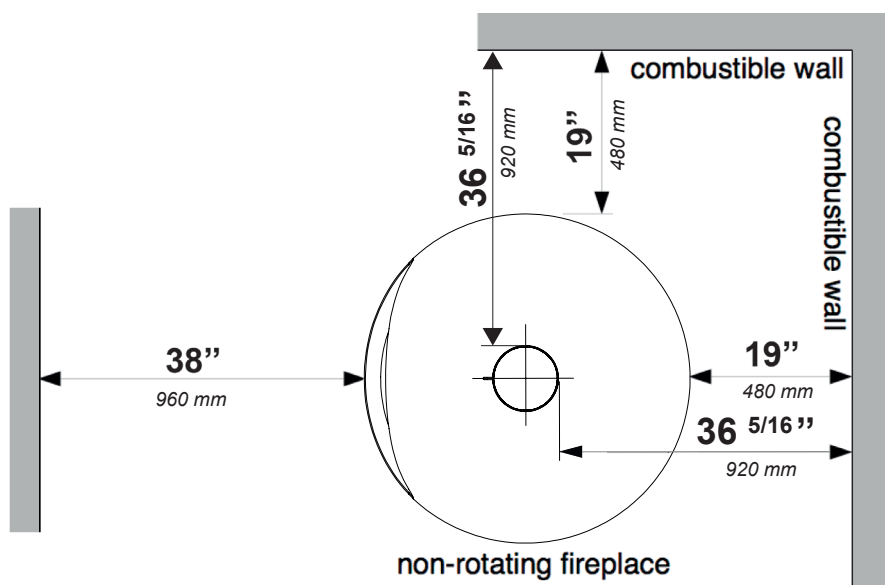
THE DISTANCE TO A COMBUSTIBLE WALL MUST BE MAINTAINED AT 38 INCHES (760 MM). PROPERTY DAMAGE OR DEATH CAN OCCUR IF THIS DISTANCE IS NOT MAINTAINED. DRYWALL PRODUCTS LINED WITH PAPER SUCH AS SHEETROCK ARE COMBUSTIBLE. CLEARANCES AS INDICATED FURTHER APPLY.

Specifications

C. WALL CLEARANCE WITH 360° ROTATION FIREPLACE



D. WALL CLEARANCE WITH OPTIONAL ROTATION RESTRICTER



IMPORTANT

Manufacturer specifications:

- When placed close to a non-combustible wall leave a minimum of 4" (101 mm) for proper ventilation
- To avoid premature aging of your painted walls, only use mineral or acrylic paints. With other paints, above clearances apply.
- Fire clearance to glass (from hearth edge): 20" (508 mm).
- Fire clearance to vinyl windows: refer to window technical specifications.

Clearances may only be reduced by means approved by the regulatory authority.

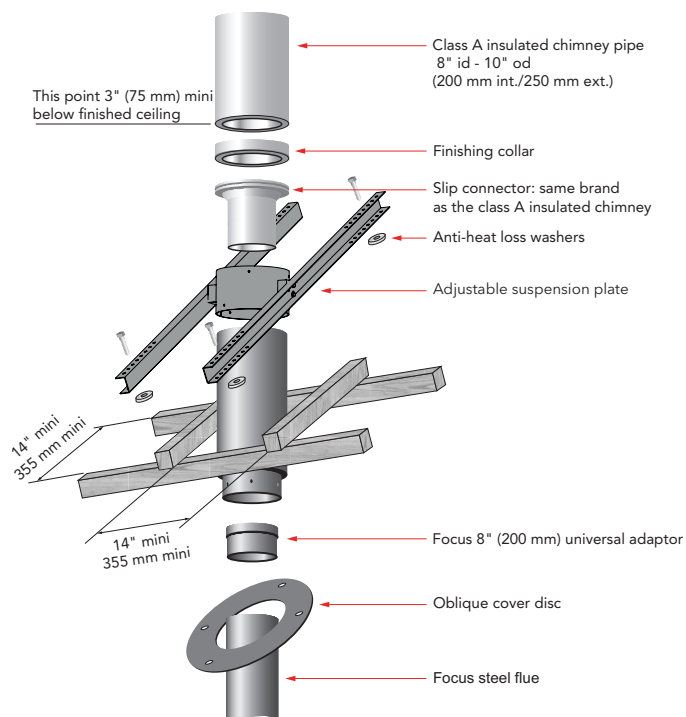
Installation

■ INCLUDED PARTS, MATERIALS AND REQUIRED TOOLS FOR INSTALLATION

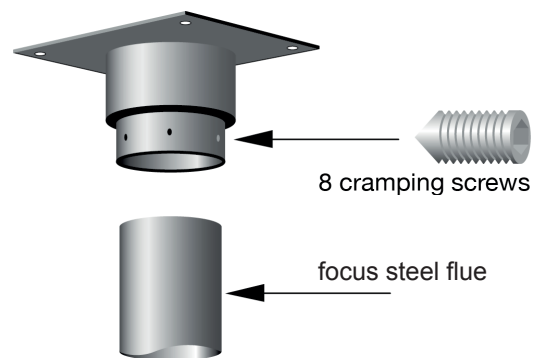
- The appliance and its designated components include the firebox, Suspension plate, steel flue pipe, focus kit (comprising a heat-protective glove, mounting gloves, and a can of touch-up paint, ash removal hatch), and insulating washers.
- Essential tools for installation: drill, M8 allen key, level, screwdrivers, M12 key, scaffolding (up to underceiling height).
- A minimum of 2 persons is required for the installation process.
- Cover disc (OPTION).
- Focus steel flue extension (OPTION).
- Custom suspension plate (OPTION).
- Adjustable suspension plate (OPTION).
- Rotation restricter (OPTION).

■ ASSEMBLY DETAILS

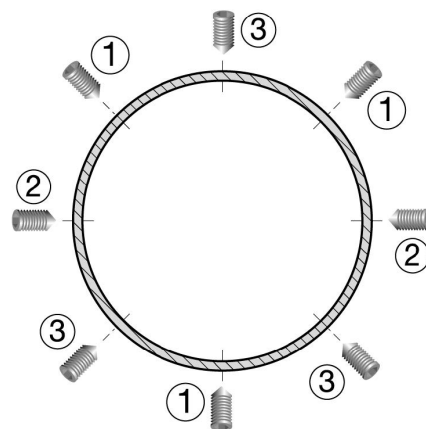
A. STAINLESS STEEL CHIMNEY SYSTEM PLATE SETUP AND CONNECTION



B. FLUE ATTACHMENT TO SUSPENSION PLATE

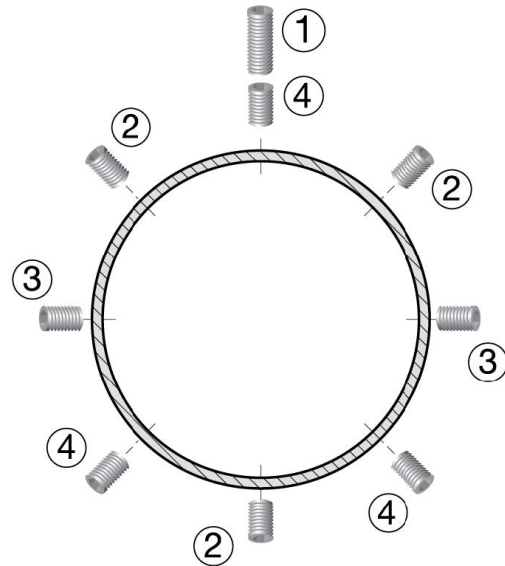
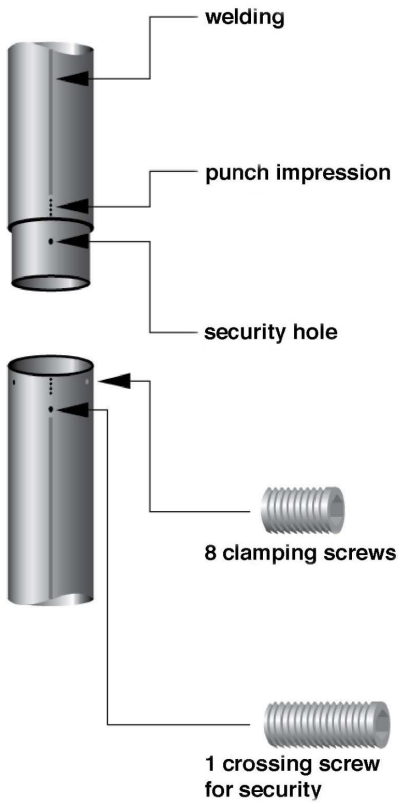


C. ORDER IN WHICH TO TIGHTENING THE PLATE SCREWS (TO SECURE PROGRESSIVELY)



Installation

D. JUNCTION SLEEVE DETAIL

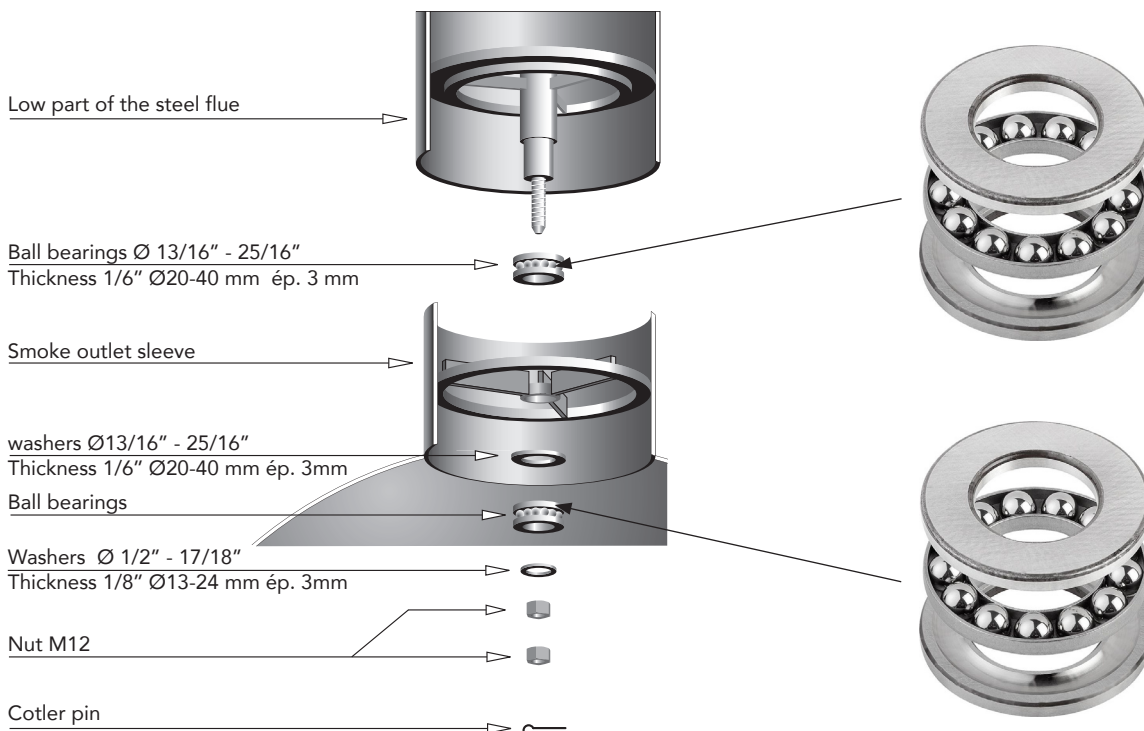


NOTE : The junction sleeves are provided only when the floor to ceiling height in the room requires several focus pipe in several parts. (you may not find a junction sleeve on 9 feet (2700 mm) or less ceiling height)



SCREWS DO NOT SIT FLUSH WHEN INSTALLED.

E. ROTATING MECHANISM DETAIL



Operating instructions

CAUTION

HOT WHILE IN OPERATION. KEEP CHILDREN, CLOTHING AND FURNITURE AWAY. CONTACT MAY CAUSE SKIN BURNS.

■ STORAGE / USE OF FLAMMABLE LIQUIDS

Never use gasoline, gasoline-type lantern fuel, kerosene, charcoal lighter fluid, or similar liquids to start or « freshen up » a fire in this heater. Keep all such liquids well away from the heater while it is in use.

■ GRATE

The cast-iron grate is located inside the fireplace. It must not be removed except for cleaning, once all cinders have thoroughly cooled. Fire must only be built on the grate.

■ ASHES

DISPOSAL OF ASHES – Ashes should be placed in a metal container with a tight fitting lid. The closed container of ashes should be placed on a non-combustible floor or on the ground, well away from all combustible materials, pending final disposal. If the ashes are disposed of by burial in soil or otherwise locally dispersed, they should be retained in the closed container until all cinders have thoroughly cooled.

■ FUEL

CAUTION

DO NOT BURN GARBAGE OR FLAMMABLE FLUIDS SUCH AS GASOLINE, NAPHTHA OR ENGINE OIL. DO NOT STORE THE FUEL WITHIN THE SPACE HEATER INSTALLATION CLEARANCES OR WITHIN THE SPACE REQUIRED FOR REFUELING AND ASH REMOVAL.

Only burn dry, natural, well-seasoned wood. Wood moisture content should not be more than 20%. We recommend using 2 year dry stored wood. For the best efficiency use a covered storage.

WARNING

THIS FIREPLACE HAS NOT BEEN TESTED FOR USE WITH DOORS, TO REDUCE THE RISK OF FIRE INJURY, DO NOT INSTALL DOORS!

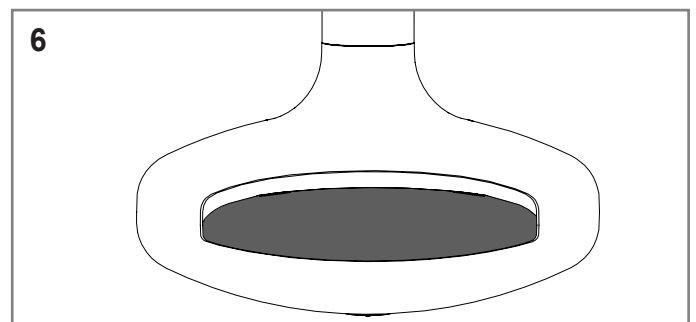
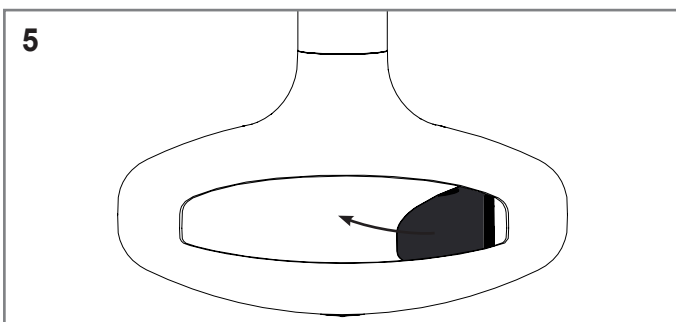
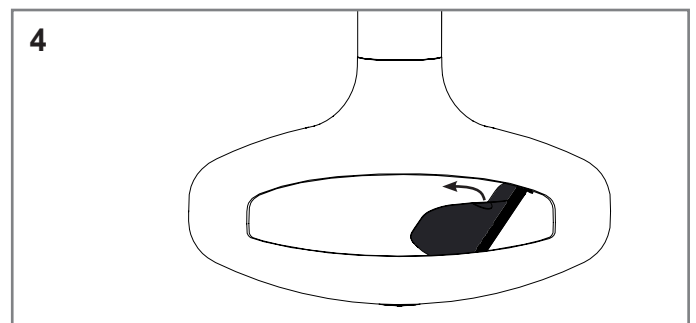
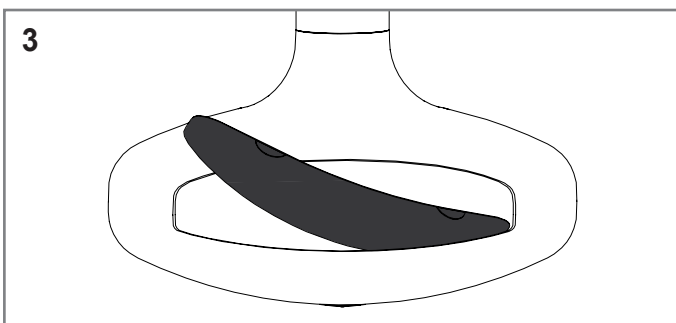
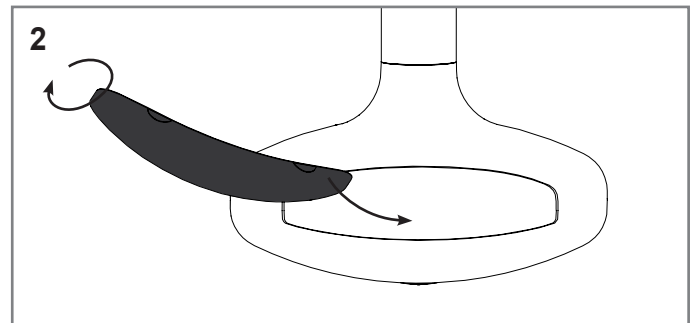
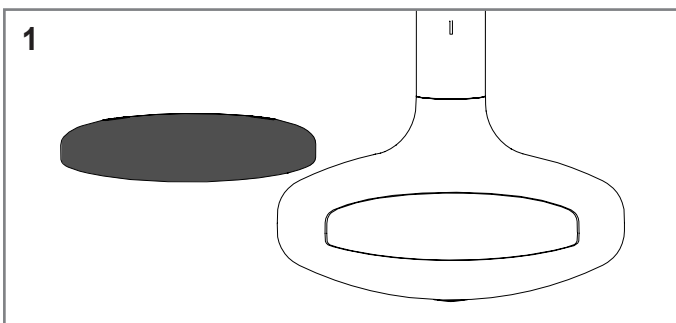
Operating instructions

■ FIRE SCREEN



WARNING

LEATHER GLOVES SHOULD BE WORN WHEN HANDLING SCREEN.



■ BEFORE LIGHTING YOUR FIRST FIRE

For all designs it is necessary:

- To clean off (with a damp sponge and/or a dry cloth) any dirt collected during transport or installation.
- Actual scratches on painted designs can be retouched solely with the expressly provided focus paint. If this is necessary, ventilate the area thoroughly before lighting your fire to disperse any fumes generated in the spraying process.

The first fire should be a modest one; do not use packing material or pallet wood for fuel.

The paint finish we use, oven baked at 250°C for 30 minutes, is thermo-plastic. Because of the very gradual polymerisation of the components, the unit may give off a light smoke the first few times the fire is lit. The painted surfaces nearest the fire may, while hot, acquire a certain viscosity, or slight stickiness perceptible to the touch. We advise therefore:

- Not to be alarmed at possible smoking or residual odors. This is normal on the first fires and will rapidly subside.
- Not to touch, rub or try to clean the fireplace while it is still hot.

To avoid thermal shocks, we strongly advise against throwing buckets of water on a very vigorous fire to try to put it out.

Operating instructions

■ BUILDING, STARTING AND MAINTAINING THE FIRE



CAUTION

DO NOT LIGHT A FIRE WITH ASH REMOVAL HATCH REMOVED, AS THIS WILL PRODUCE OVER-FIRING OR HOUSE FIRE. DAMAGE CAUSED FROM NON-OBSERVANCE OF THIS CAUTION IS NOT COVERED UNDER FOCUS LIMITED WARRANTY.

Do not overload your focus fireplace to avoid over-firing.

Build the fire without elevating it, directly on the grate. For starting the fire, we recommend using a small amount of fire starter with enough kindling (small logs or mill ends) to establish a primary fire. Damper must be fully open.

After a few minutes, and making sure the primary fire is well started, add larger wood (between 3 and 7 pieces, depending on their size), directly on top, making sure not to smother the fire. Leave some spaces between the logs for air intake. Adapt the damper position in order to avoid spillage of smoke.

To maintain or refuel your fire, add when needed (see note), a few larger logs.

NOTE : For the same weight of fuel, 10 logs will burn more intensely (and faster) than 3 logs, but you will get the same heat power at the end. The log size you buy will determine the heating and refueling time.

■ PROTECTIVE GLOVES

The use of the focus special protective glove supplied with our models is required upon handling the damper, fresh air controls, fire irons, etc.

■ DAMPER OPERATION AND USE

Use of supplied cold handle tool or protective glove is recommended to operate the damper. Do not touch the damper handle without protection when a fire is operating.

The domofocus damper has four positions. The damper is in the same direction as the handle: when the handle is vertical, the damper is fully open. Handle can rotate at 30°, 60° and 90° (horizontal : closed). In closed position the damper obturates by 75% the flue section.

To modify the damper position, first pull the handle, then rotate and push again the handle in order to lock on a preset position.

Caution: Never adjust the damper handle on an intermediate position !

The damper position must be adapted to the fire intensity: during the lighting it must be fully open. Then it must be adjusted in order to reduce the smoke flow, so the heat efficiency will be optimal. If smoke spills out it means the damper is too obstructive: re-open the damper at the first signs of spillage.

Maintenance

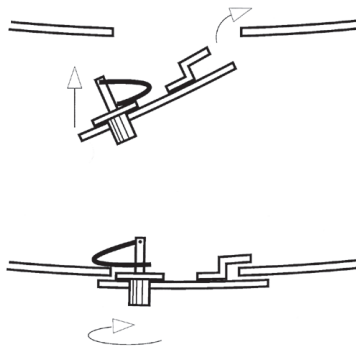
■ TAKING OUT THE ASHES



CAUTION

BE SURE THE FIRE IS OUT AND THE FIREPLACE BODY COLD BEFORE REMOVING ASHES !

The ash removal hatch located below the grate is designed to make cleaning easier. Dispose of ashes in an appropriate ash container (not supplied). The hatch is removed by turning the handle. After cleaning, be sure to secure the hatch back properly!



■ INSPECTION, MAINTENANCE AND CLEANING OF THE CHIMNEY



CAUTION

CHEMICAL SWEEP NOT PERMITTED: ONLY MECHANICAL SWEEP ALLOWED.

A. REFERING TO FOCUS STEEL FLUE PIPES

It must absolutely be swept with a nylon brush. Never use metal brushes! Damage caused from non-observance of this caution is not covered under the focus limited warranty.

B. REFERING TO CHIMNEY PIPE

CREOSOTE FORMATION AND NEED FOR REMOVAL:

When wood is burned slowly, it produces tar and other organic vapors, which combine with expelled moisture to form creosote. The creosote vapors condense in the relatively cool chimney flue of a slow-burning fire. As a result, creosote residue accumulates on the flue lining. When ignited, this creosote makes an extremely hot fire. The chimney and chimney connector should be inspected at least once every two months during the heating season to determine if a creosote buildup has occurred. If a significant layer of creosote has accumulated (3mm or more) it should be removed to reduce the risk of a chimney fire.

In that case, call a professional chimney sweeper.

Maintenance

■ SURFACES



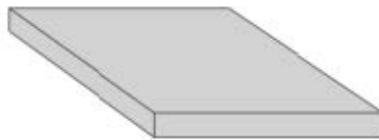
The outer surfaces can be wiped with a soft, dry rag (making sure the metal is cool). For continued use of the touch-up paint can following its initial usage, invert the focus can (spray head down) and spray into a balled up newspaper until the can sprays clear. Clean the spray can bottom with a dry rag and store out of the reach of children.

■ REPLACEMENT PARTS

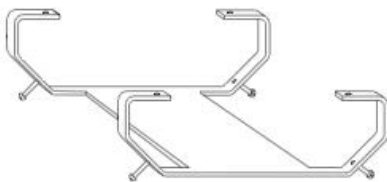
Cast iron grate



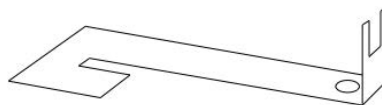
Vermiculite part



Spacer



Cold handle



Touch-up paint



For ordering replacement parts, please contact the Focus North American exclusive importer:



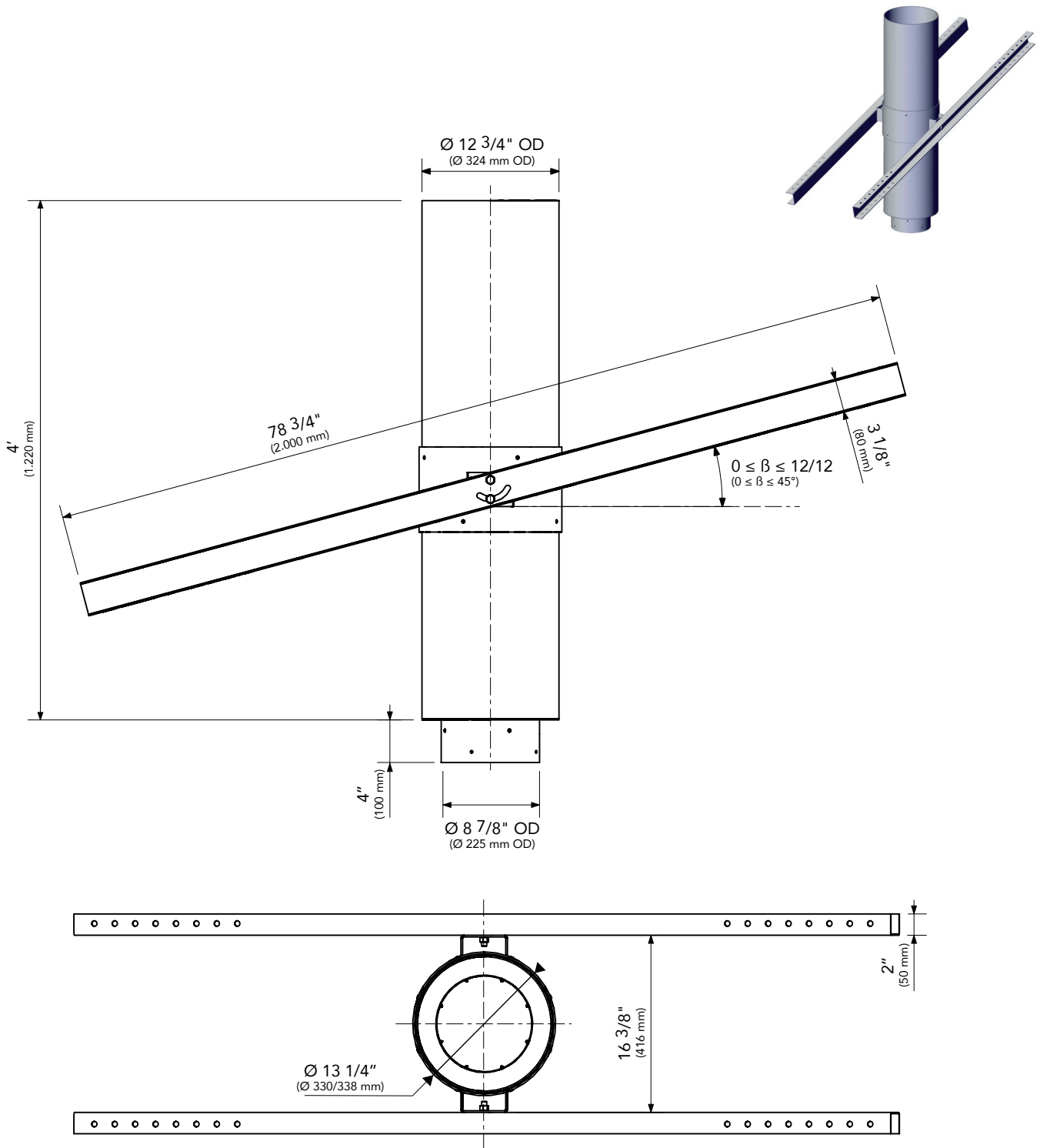
30 Log Bridge Road
Building 300 – Suite 303
Middleton, MA 01949
T: 781-324-8383
www.europeanhome.com

Warranty

All of our focus models are guaranteed against any defect in design, construction, or manufacture, and guaranteed to function properly for 5 years from date of order. Our product guarantees are applicable only when our fireplaces have been installed with respect to all local building codes and with strict attention to the technical details outlined in our Plan Study as well as our installation, maintenance, and user's manuals. Our guarantees exclude accidental damages such as those occurring during transport without written notification upon receipt, damages incurred during installation, and damages resulting from improper use.

Annex

■ ADJUSTABLE SUSPENSION PLATE



Annex

The Focus Adjustable Suspension Plate ETL is specifically crafted for use on rafters or structures with a pitch ranging from zero to forty-five degrees.

The dimensions are as follows:

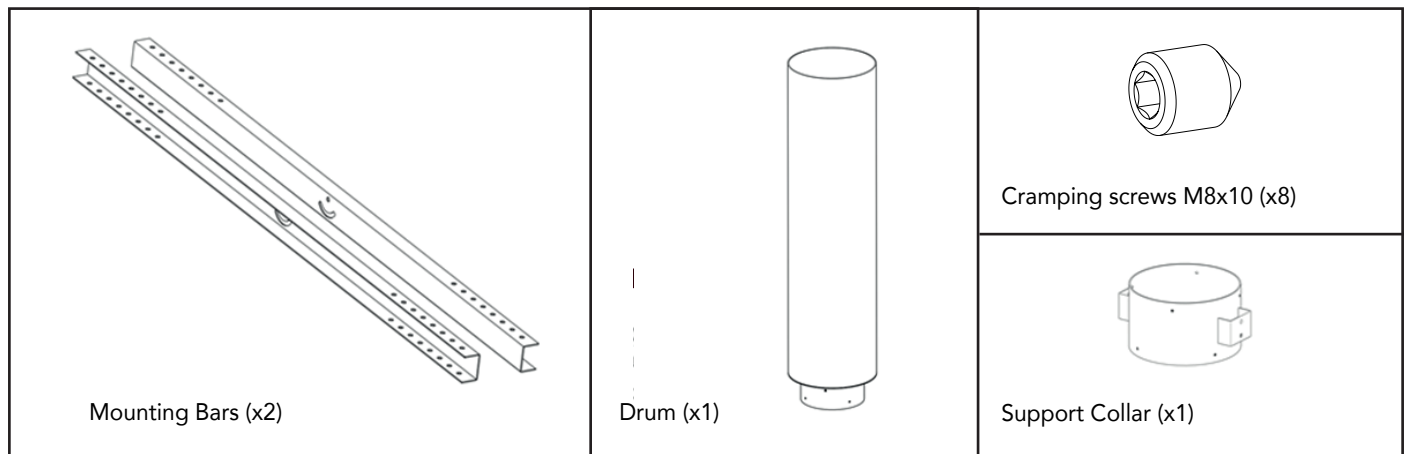
- Inside Diameter: 8 inches (200 mm).
- Outside Diameter: 10 inches (254 mm).
- The 13-inch (330 mm) wide portion of the drum accommodates a Class A insulated chimney flue, maintaining a 2-inch (50 mm) overall air gap between the flue and the drum to prevent the transfer of heat to surrounding building materials.
- The 8-inch (200 mm) wide section of the drum is designed to fit the Focus single-wall interior flue.

It is essential to note that the adjustable suspension plate is intended exclusively for use with the Domofocus, Gyrofocus, Ergofocus, Bathyscafocus, Meijifocus, Agorafocus 630, Filiofocus 1600 central.

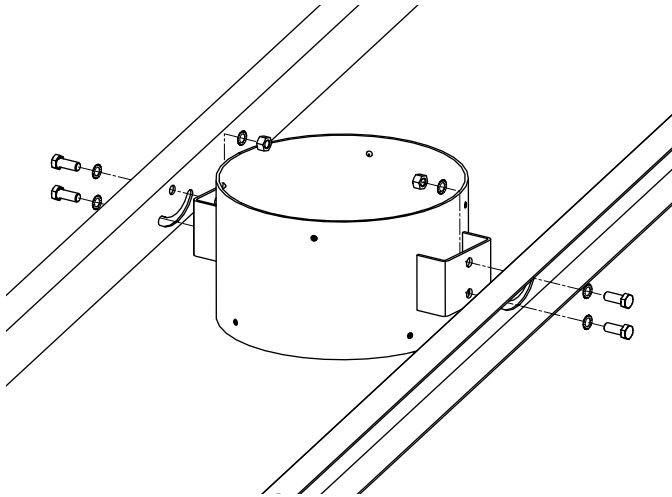
Components of the adjustable suspension plate include:

- 2 Mounting bars
- 1 Support collar
- 1 Drum
- 8 Cramping screws (M8x10)
- The drum is designed to be field-cut as needed.

For installation, the mounting bars can be cut to the required length and must be securely attached to the rafter/structure using lag bolts (for wood installation) or through bolts (for wood or metal installation). This secure attachment is necessary to support the weight of the fireplace and flue.



Annex



1. Assemble Support Collar:

- Position the support collar between the mounting bars.
- Securely fasten the bolts using the provided nuts and lock washers.

2. Mount the Assembly:

- Attach this assembled unit to the ceiling or roof at the designated location.
- Ensure a firm and secure mounting.

3. Insert Drum:

- From below, place the drum inside the support collar.
- Ensure the drum is securely inserted and positioned.

4. Adjust Drum Length:

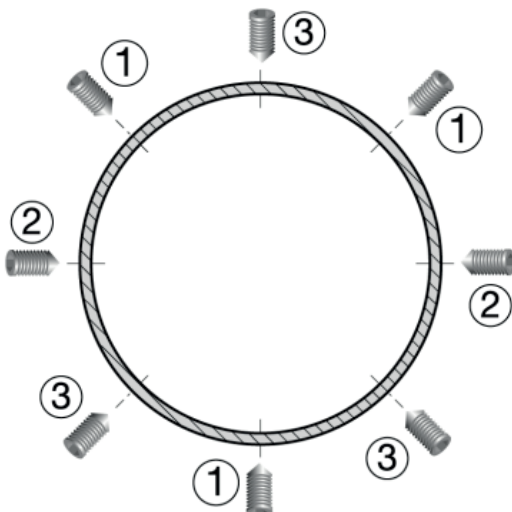
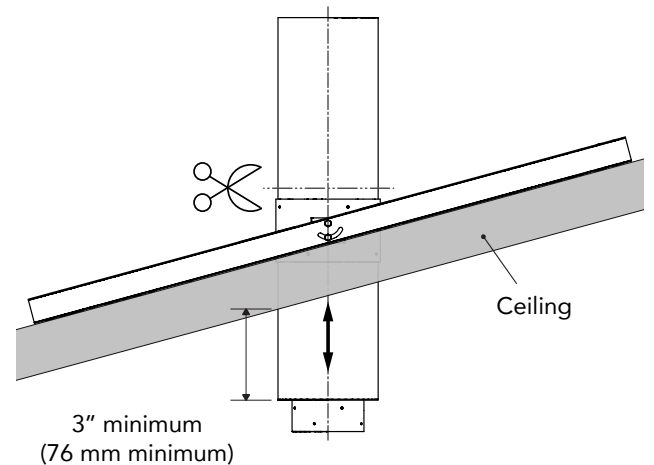
- Modify the drum to the desired length.
- Ensure that the larger portion of the drum is positioned a minimum of 3 inches (76 mm) below the ceiling finish.

5. Mark and Prepare for Cutting:

- If the drum requires cutting, mark it above the support collar using a pencil and the support collar as a guide.
- Remove the drum from the support collar and apply tape around the pencil marks, using it as a cutting guide.

6. Cut Drum with Angle Grinder:

- Use an angle grinder to cut the drum along the marked tape.



7. Reinstall Drum into Support Collar:

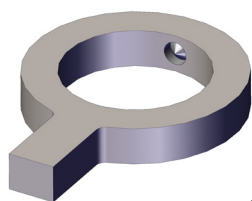
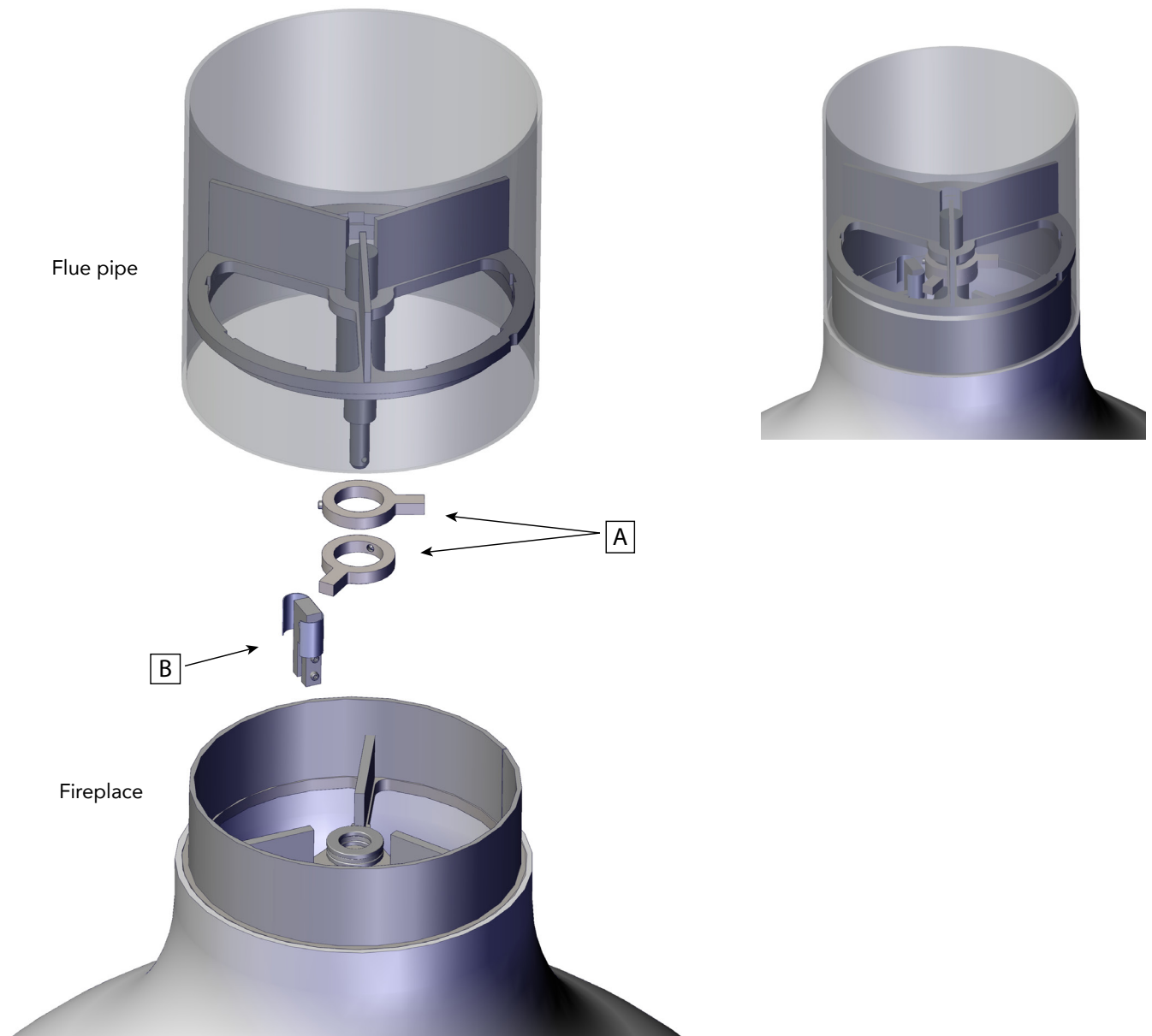
- Place the drum back into the support collar.
- Using a level, confirm the alignment, and securely tighten the cramping screws according to the following pattern:

- ① x 3
- ② x 2
- ③ x 3

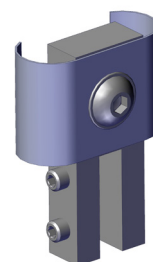
Note: Screws are not intended to sit flush with the support collar.

■ OPTIONAL ROTATION RESTRICTER

The rotation limiter presented below is applicable to all mentioned models (Domofocus, Gyrofocus, Ergofocus, Bathyscafocus).

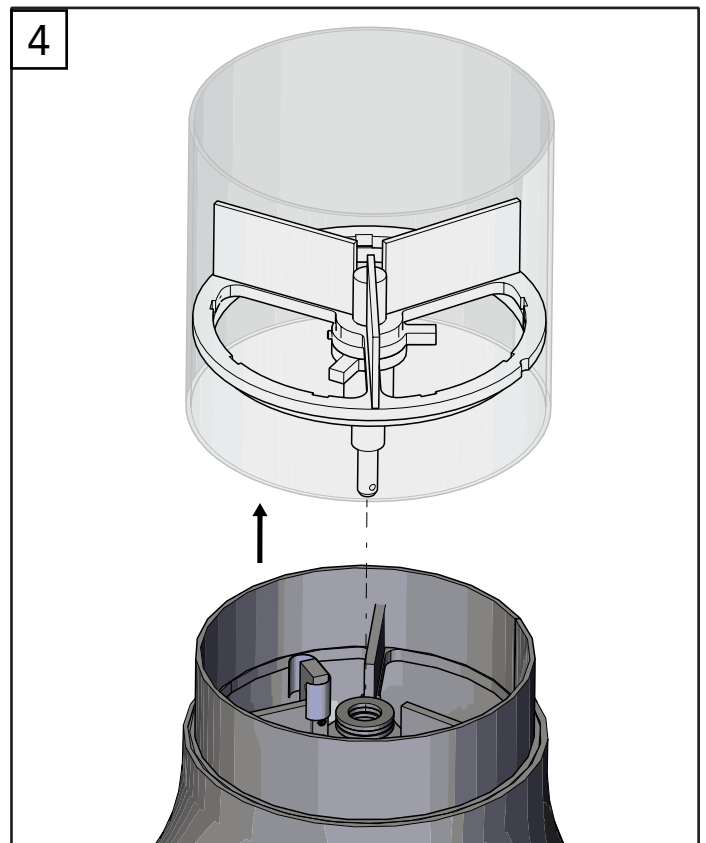
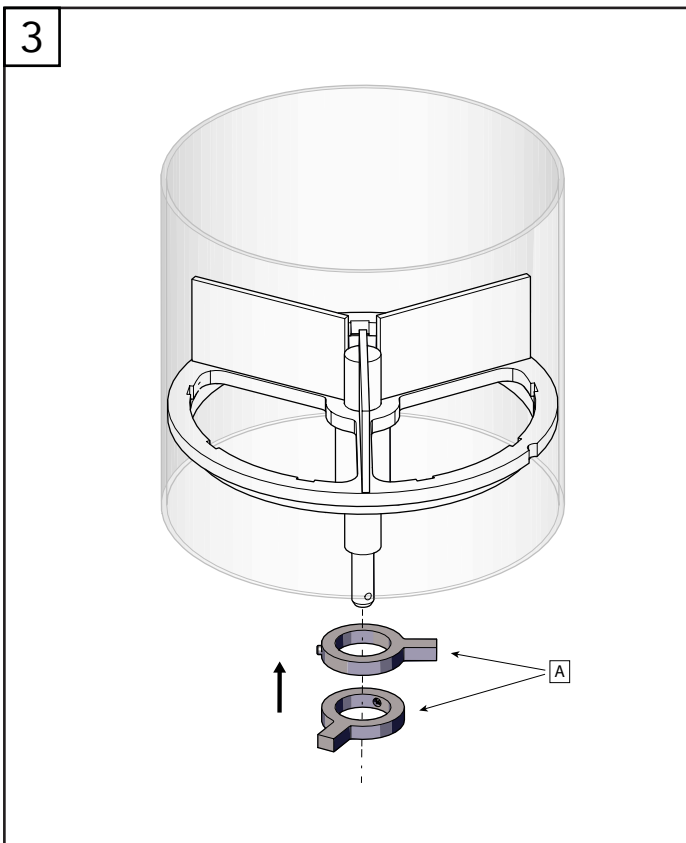
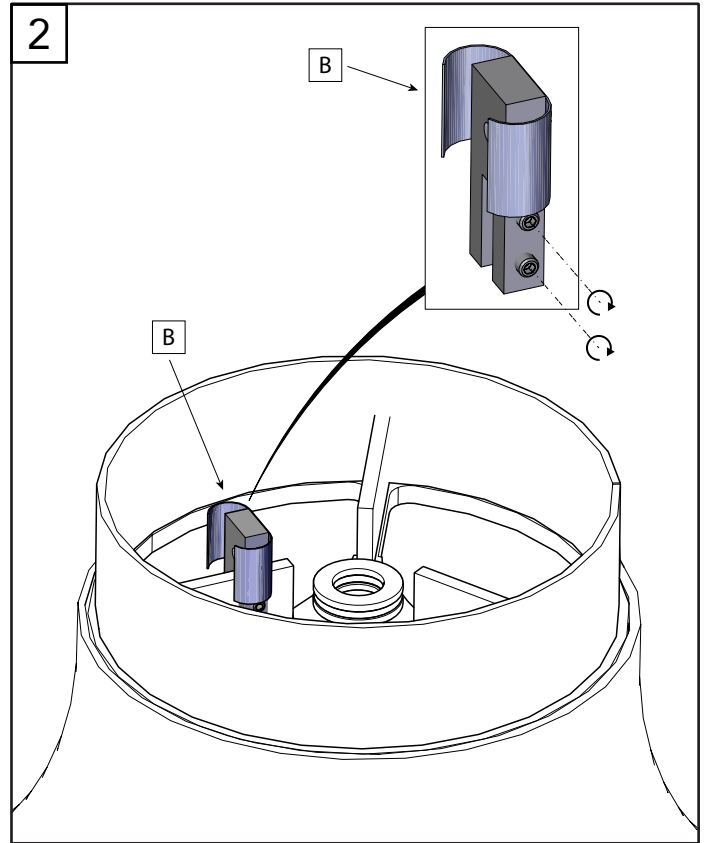
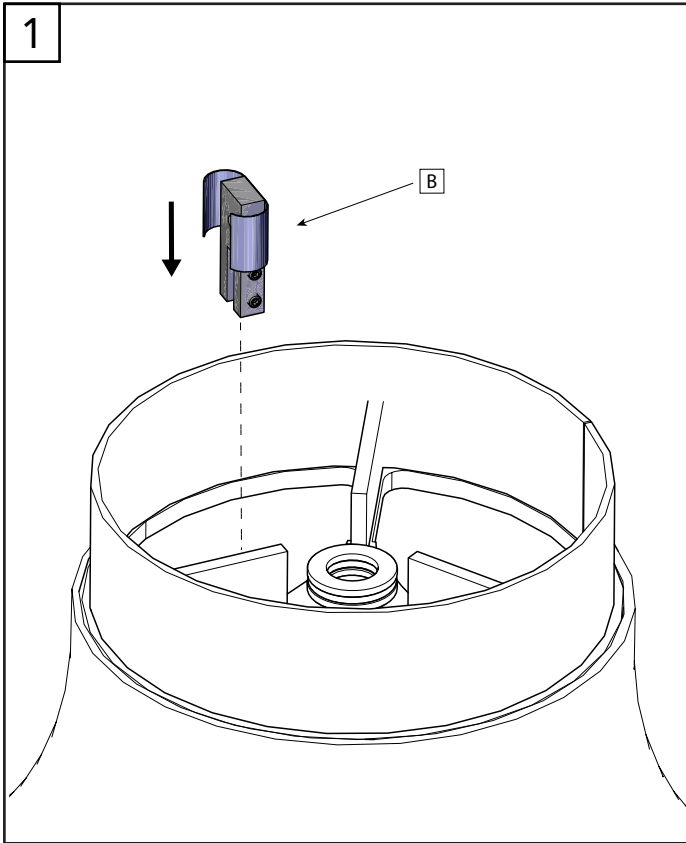


A (x2)

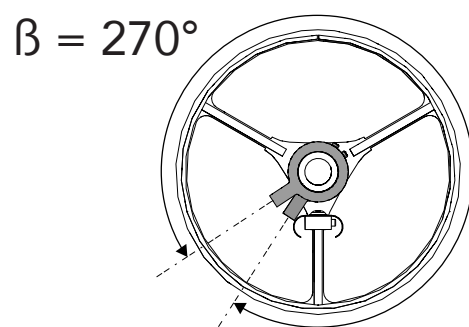
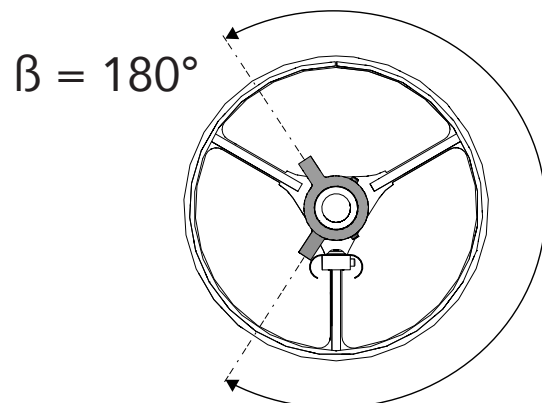
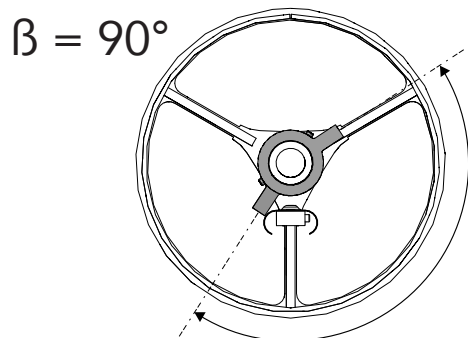
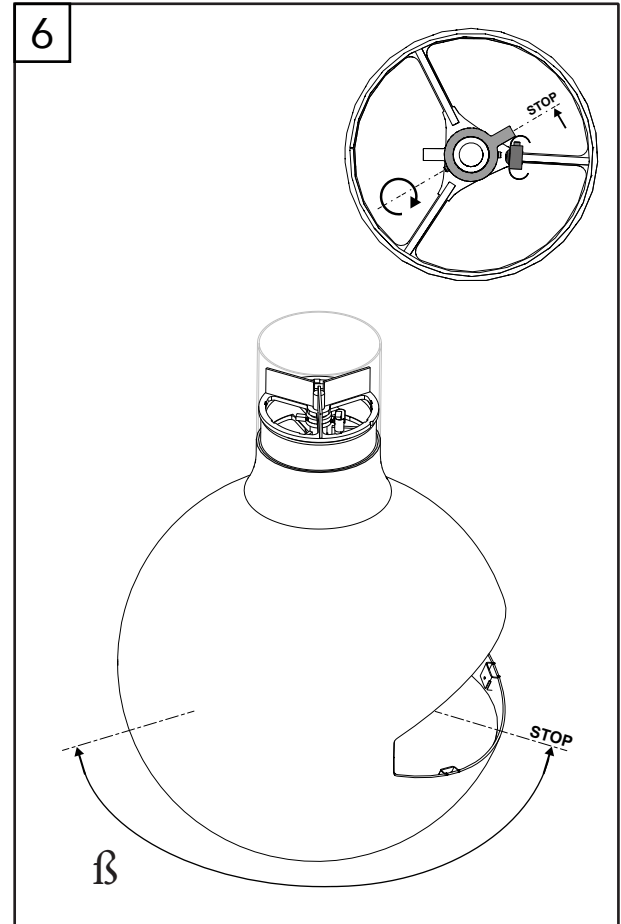
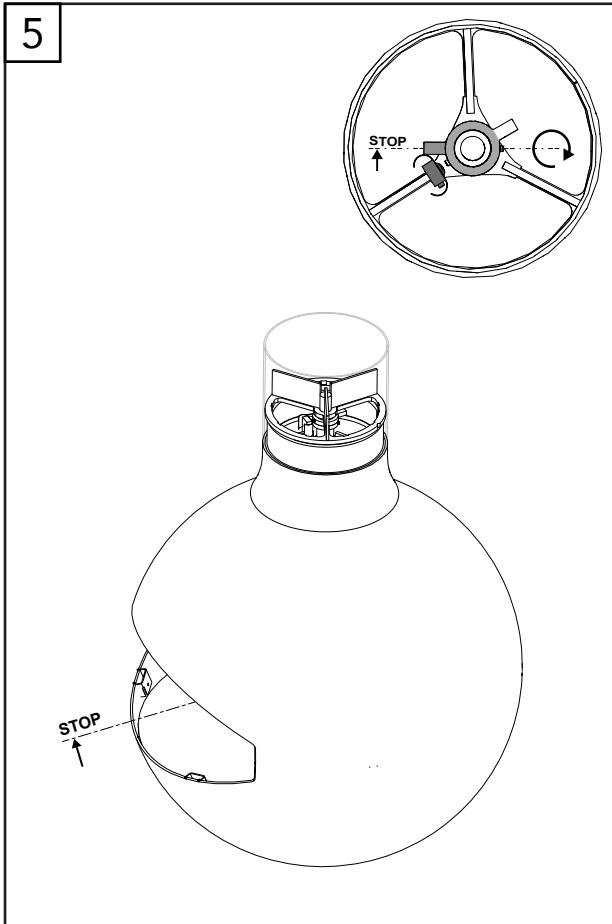


B (x1)

Annex



Annex



■ HOW TO DETERMINE IF ALTERNATE FLOOR PROTECTION MATERIALS ARE ACCEPTABLE

All floor protection must be non-combustible (i.e., metals, brick, stone, mineral fiber boards, etc.). Any organic materials (i.e., plastics, wood paper products, etc.) are combustible and must not be used. The floor protection specified includes some form of thermal designation such as R-value (thermal resistance) or k-factor (thermal conductivity).

A. PROCEDURE

1. Convert specification to R-value:

I. R-value given - no conversion needed.

II. k-factor is given with a required thickness (T) in inches:

$$R = \frac{1}{k} \times T$$

III. K-factor is given with a required thickness (T) in inches

$$R = \frac{1}{K \times 12} \times T$$

IV. r-factor is given with a required thickness (T) in inches:

$$R = r \times T$$

2. Determine the R-value of the proposed alternate floor protector.

I. Use the formula in step (1) to convert values not expressed as "R".

II. For multiple layers, add R-values of each layer to determine overall R-value.

3. If the overall R-value of the system is greater than the R-value of the specified floor protector, the alternate is acceptable.

EXAMPLE: The specified floor protector should be 3/4-inch thick material with a k-factor of 0.84. The proposed alternate is 4" (101 mm) brick with an r-factor of 0.2 over 1/8" mineral board with a k-factor of 0.29.

Step (a): Use formula above to convert specification to R-value.

$$R = \frac{1}{k} \times T = \frac{1}{0.84} \times 0.75$$

Step (b): Calculate R of proposed system.

4" (101 mm) brick of r = 0.2, therefore:

$$R_{\text{brick}} = 0.2 \times 4 = 0.431$$

1/8" mineral board of k = 0.29, therefore

$$R_{\text{mineral board}} = \frac{1}{0.29} \times 0.125 = 0.431$$

$$R_{\text{total}} = R_{\text{brick}} + R_{\text{mineral board}} = 0.8 + 0.431 = 1.231$$

Step (c): Compare proposed system R_{total} of 1.231 to specified R of 0.893. Since proposed system R_{total} is greater than required, the system is acceptable.

B. DEFINITIONS

$$R = \frac{(\text{ft}^2)(\text{hr})(^{\circ}\text{F})}{\text{Btu}}$$

$$k = \frac{(\text{Btu})(\text{in})}{(\text{ft}^2)(\text{hr})(^{\circ}\text{F})} = K \times 12$$

$$K = \frac{(\text{Btu})(\text{ft})}{(\text{ft}^2)(\text{hr})(^{\circ}\text{F})}$$

$$r = \frac{(\text{ft}^2)(\text{hr})(^{\circ}\text{F})}{(\text{Btu})(\text{in})} = \frac{1}{k}$$

Note

A series of horizontal dotted lines for writing notes.

Note

A series of horizontal dotted lines for writing notes.

focus®

CREATE BEYOND CONVENTION