

E-FX[®]

FIRES



SUITE INSTALLATION, PRECAUTIONS & SERVICING



JULY 2024

IMPORTANT

- Please make sure that the fire is fitted at the correct height for the suite purchased. There are different heights required for the plinth, contemporary legs, and wall mounted options.
- We recommend fully installing and setting up the fire prior to suite installation to prevent unnecessary damage to the suite or surrounding woodwork.

 **SAVE THESE INSTRUCTIONS**

CONTENTS

Recycling & Safety Warnings.....	4
Technical Specifications.....	6
Fitting The Suite.....	8
Installing The Trims.....	12
FAQs.....	14
Warranty.....	17
Notes.....	18

RECYCLING & SAFETY WARNINGS

IMPORTANT

REGISTRATION NO WEE/DH1656ZW

- In accordance with European Directive 2012/19/ EU, waste electrical and electronic equipment (WEEE) must not be disposed of with household waste.
- Please recycle responsibly.



DETAILS

- Read all the instructions before installing or using this heater.
- **WARNING:** In order to avoid overheating, do not cover the heater.
- For indoor use only.
- **DO NOT** use the fire in the vicinity of a bath, shower or swimming pool.
- **NEVER** use the fire to dry laundry.
- The heater must not be located immediately below a socket outlet.
- The use of an extension lead is **NOT** recommended.
- This appliance can be used by children aged from 8 years and above and persons with reduced physical, sensory or mental capabilities or lack of experience and knowledge if they have been given supervision or instruction concerning use of the appliance in a safe way and understand the hazards involved.
- Children shall **NOT** play with the appliance.
- 2.4Ghz network required.

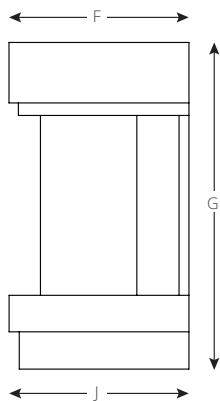
RECYCLING & SAFETY WARNINGS

- Cleaning and user maintenance shall **NOT** be made by children without supervision.
- Children of less than 3 years should be kept away unless continuously supervised.
- Children aged from 3 years and less than 8 years shall only switch on/off the appliance provided that it has been placed or installed in its intended normal operating position and they have been given supervision or instruction concerning use of the appliance in a safe way and understand the hazards involved.
- Children aged from 3 years and less than 8 years shall not plug in, regulate and clean the appliance or perform user maintenance.
- Some parts of this product can become very hot and cause burns. Particular attention must be given where children and vulnerable people are present.
- Caution should be applied to ensure that children **DO NOT** play with the fuel effects.
- The heater is hot when in use. To avoid burns, do not let bare skin touch hot surfaces. Keep combustible materials, such as furniture, pillows, bedding, paper, clothes, etc. and curtains at least 3 feet (0.9m) from the front of the heater and keep them away from the sides and rear (sides and rear restrictions apply to location dedicated heaters only)
- **CAUTION:** The heater is fitted with an automatic cut out to prevent any damage due to overheating. The element will continually and automatically cut out if the airflow is obstructed. Never cover the air outlets. To reset, switch the fire off, disconnect from the mains supply, remove the cause of the overheating. Allow to cool for a suitable period then switch the fire back on.
- **CAUTION:** In order to avoid a hazard due to inadvertent resetting of the thermal cut out, the appliance must not be supplied through an external switching device, such as a timer, or connected to a circuit regularly switched on and off by a utility.
- A heater has hot and arcing or sparking parts inside. Do not use it in areas where gasoline, paint, or flammable vapor or liquids are used or stored.
- Use this heater only as directed in this manual. Any other use not recommended by the manufacture may cause fire, electric shock, or injury to persons.

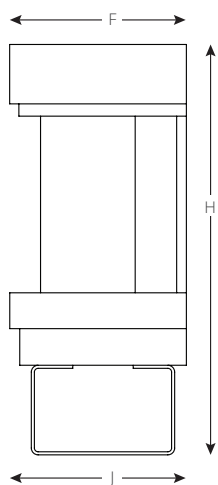
TECHNICAL SPECIFICATIONS



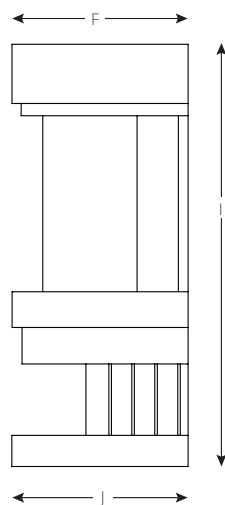
FRONT VIEW



WALL HANGING



WITH LEGS



WITH PLINTH

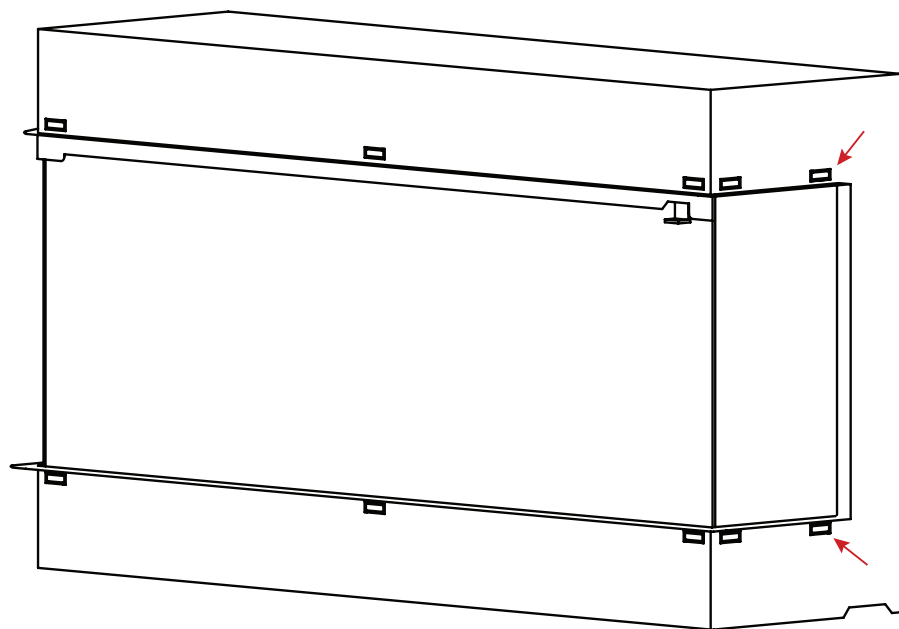
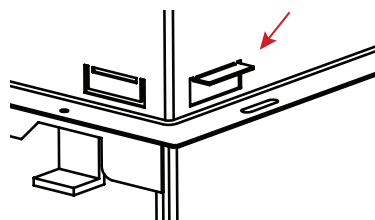
TECHNICAL SPECIFICATIONS

SUITE MODEL					
		PAYTON 1000	PAYTON 1300	ELARA 1000	ELARA 1300
DIMENSIONS	A	1340mm / 52 3/4"	1640mm / 64 9/16"	1340mm / 52 3/4"	1640mm / 64 9/16"
	B	140mm / 5 1/2"	140mm / 5 1/2"	140mm / 5 1/2"	140mm / 5 1/2"
	C	140mm / 5 1/2"	140mm / 5 1/2"	140mm / 5 1/2"	140mm / 5 1/2"
	D	1440mm / 56 11/16"	1740mm / 68 1/2"	1440mm / 56 11/16"	1740mm / 68 1/2"
	E	345mm / 13 9/16"	345mm / 13 9/16"	345mm / 13 9/16"	345mm / 13 9/16"
	F	345mm / 13 9/16"	345mm / 13 9/16"	345mm / 13 9/16"	345mm / 13 9/16"
	G	627mm / 24 11/16"	627mm / 24 11/16"	627mm / 24 11/16"	627mm / 24 11/16"
	H	802mm / 31 9/16"	802mm / 31 9/16"	802mm / 31 9/16"	802mm / 31 9/16"
	I	828mm / 32 5/8"	828mm / 32 5/8"	828mm / 32 5/8"	828mm / 32 5/8"
	J	345mm / 13 9/16"	345mm / 13 9/16"	345mm / 13 9/16"	345mm / 13 9/16"

FITTING THE SUITE

01

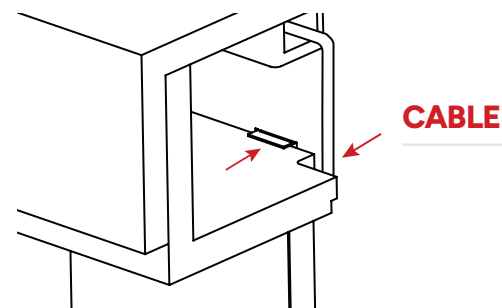
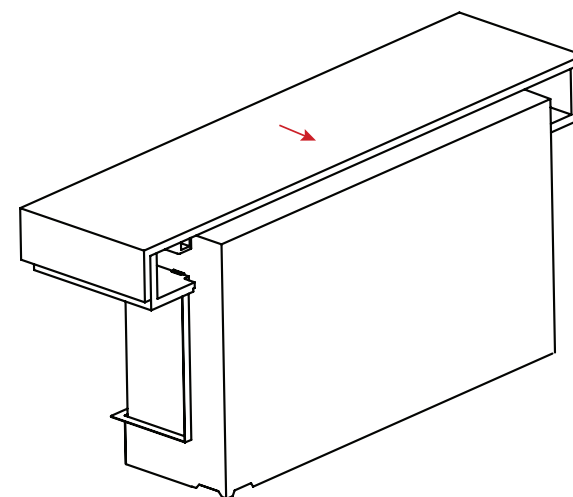
Using a screwdriver, bend out the tabs located around the top and bottom lips to 90 degrees. They are used to help locate the suite in position.



FITTING THE SUITE

02

To fit the top section of the suite, slide the top on with the cut-out sliding in-between the tabs you just bent out. Push the top all the way back to the wall. Make sure that the down lighting cable is tucked into the slot provided.



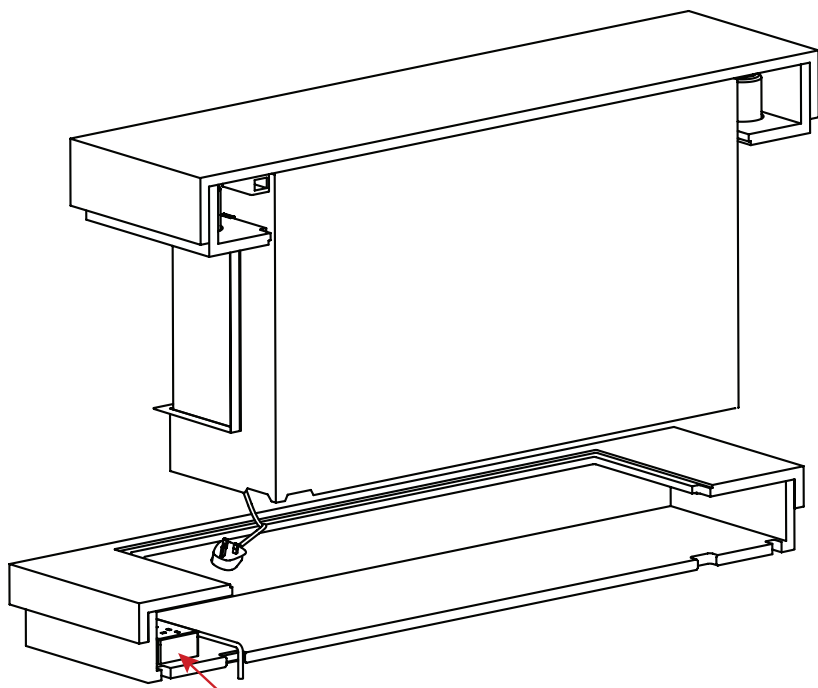
TIP

When sliding the top back to the wall, make sure you push it on evenly keeping the cable tucked out the way.

FITTING THE SUITE

03

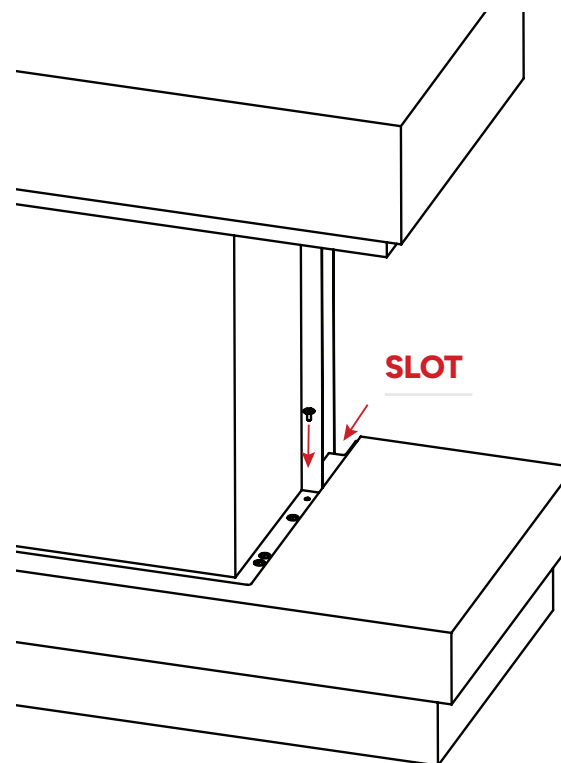
Place the bottom of the suite in front of the fire and plug the down lights into the sockets. Make sure that you turn the switches on before fitting the suite fully. If you have a LED kit with your fire, plug this in now.



FITTING THE SUITE

04

Slide the bottom onto the fire making sure that the cut-out slides between the tabs you folded out earlier in step 1 again. When it is in position, the down light cable should be tucked into the slot shown below. Secure the woodwork with the black 13mm (1/2 ") screws found in the accessory pack. You can now plug in your suite and check everything is working.



TIP

Make sure you support the weight of the suite until the screws have been fitted. If your unit is not sliding all the way back to the wall, check for trapped cables and push them back into the cavity.

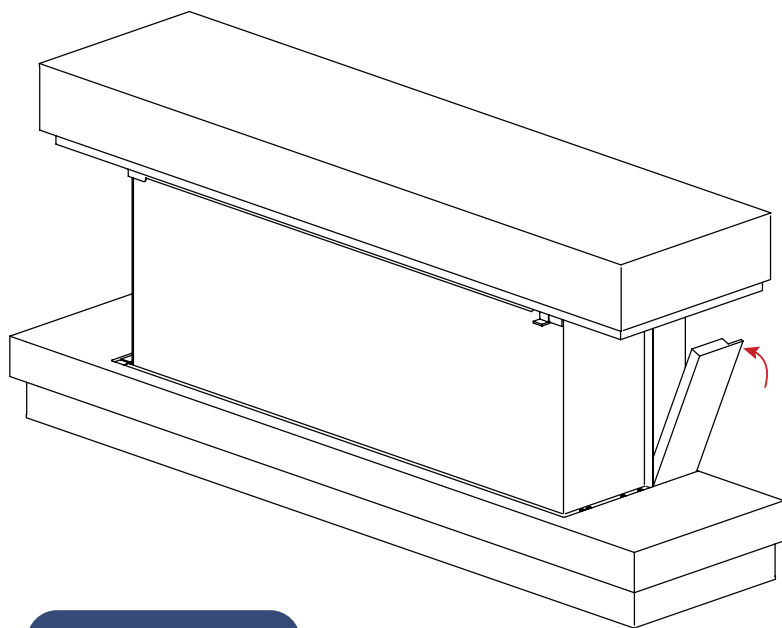
IMPORTANT

Make sure you plug in any down lighting or LED kits before fitting the bottom section.

INSTALLING THE TRIMS

01

Unwrap and install the fire side cheeks. These are magnetic and come with a cut-out for the down lighting cable. You can place them onto the side of the fire making sure you tuck the down lighting cable into the cut-out.



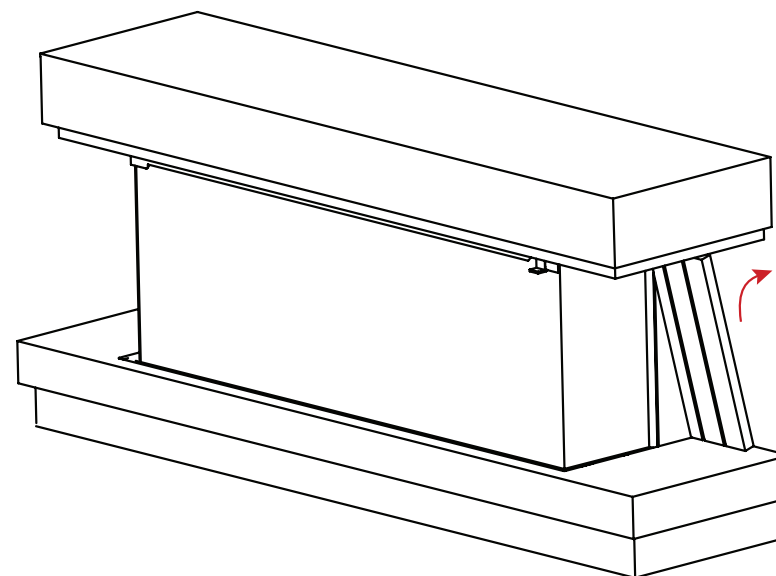
TIP

You may need to lift the top of the suite so you can slide the side trims under. When you have fitted these you can screw the top into position.

INSTALLING THE TRIMS

02

Unwrap the wall panels and wipe the wall using the alcohol wipes provided in the accessory pack, making sure it is free of grease and dust. Peel off the tape cover on the back of the panels and press them firmly against the wall.



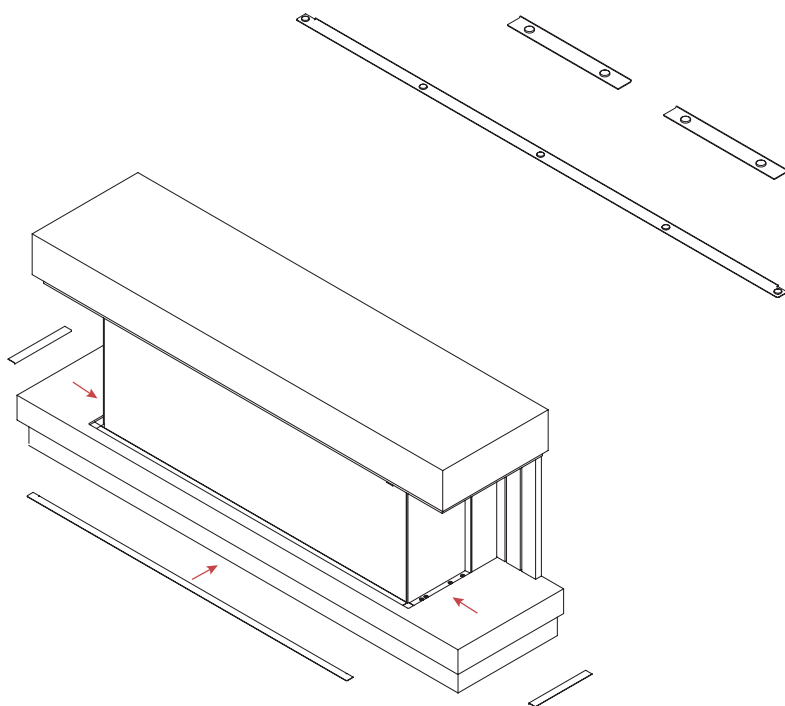
TIP

Do not try to fit the wall panels until the wall is dry. You may need to leave the wall to dry for a minute before you fit them.

INSTALLING THE TRIMS

03

Unwrap the metal suite trims and make sure you have two side trims, and one front trim. The side trims should have 2 magnets spaced on the under side of each, and the front trim should have 4 or 6 magnets depending on the size of your fire.



04

The trims are magnetic so you can just place them into position, and make any small adjustments to close up the gaps by pushing the trims into place. Now your suite is installed, refer to the Cloud eControl instructions to pair your lights to the fire, or operate them with the switch located under the right side of the suite.

FAQS

01

Q How do I pair and work my down lights?

A Please refer to the Cloud eControl App Instruction manual. Alternatively there is a switch located under the top right of the suite.

02

Q Why are my down lights not working?

A Make sure the switch inside the suite is turned on and the plugs are seated properly.

03

Q How do I fit the plinth?

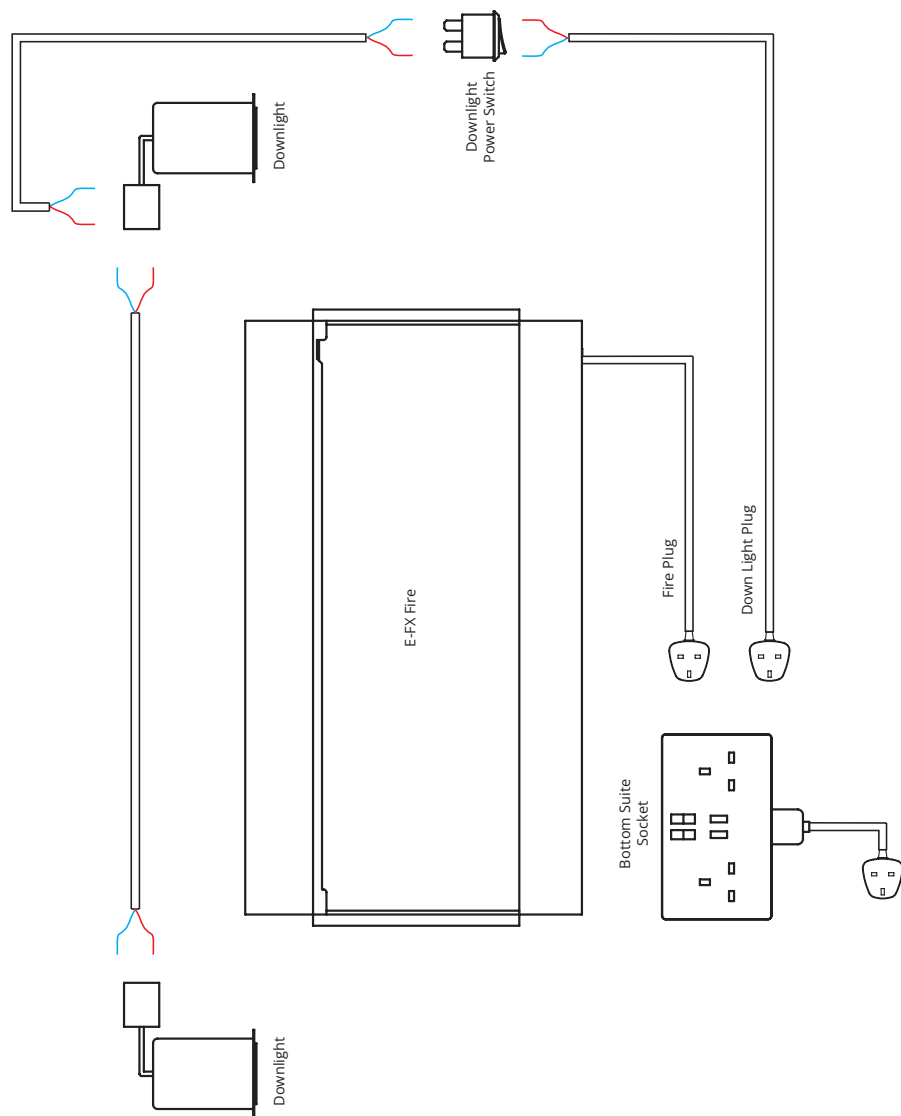
A The plinth simply slides under the unit. Make sure you plug any LED lighting kits in before fitting the bottom of the suite. Check the Fire Installation Instructions for the correct height to install the fire for use with a plinth suite.

04

Q What height should my fire be at to install the suite?

A Check the Fire Installation Instructions for the correct height to install the fire for use with the type of suite you have.

WIRING DIAGRAM



WARRANTY

3 YEAR WARRANTY

European Home warrants all Flamerite electric fireplaces against defects in materials and workmanship for a period of THREE (3) YEARS from the date of original retail purchase. If a defect exists, European Home will, at its option, either (1) repair the product at no charge, using new or refurbished replacement parts or (2) exchange the product with one which is new or which has been manufactured from new or serviceable used parts and is at least functionally equivalent to the original product. A replacement product/part assumes the remaining warranty of the original product or ninety (90) days from the date of replacement or repair, whichever provides longer coverage for you. When a product or part is exchanged, any replacement item becomes your property, and the replaced item becomes the property of European Home. Nothing in the above shall be deemed to imply that this warranty shall apply to work which has been abused or neglected or shows evidence of changes or modifications by others with or without permit, damages caused by the acts of God, building settlement or moving, fire or vandalism. In addition, installation of this product that varies from the requirements stated in the instruction manual will void the warranty.

NOTES

Dotted lines for notes.

NOTES

Dotted lines for notes.



www.flameritefires.com/efx

Flamerite Fires Ltd, Greenhough Road, Lichfield, Staffordshire WS13 7AU

Tel: +441543 251122 | **Fax:** +441543 251133 | **Email:** info@flameritefires.com

These products are only suitable for well insulated spaces or occasional use.

Manufactured in the United Kingdom. All products are protected by patents, registered design and intellectual property rights. Flamerite Fires Ltd. will protect these rights.

All specifications are correct at the time of publishing but are subject to change.



ELECTRIC FIRES MADE IN EUROPE