

E-FX[®]

FIRES



MILAN 1200 & LAZIO 1500 INSTALLATION, PRECAUTIONS & SERVICING



E-FX SL

March 2024

IMPORTANT

- Please bear in mind the weight of the fire before removing from the packaging and installing.
- Consider if help is required.
- Carefully remove the fire from the packaging, making sure that the power cable and heater have not been damaged during transport.
- **DO NOT** operate the fire if damaged.
- The accessories are found in a box that is packed at the side of the fire.
- Always read this manual first before attempting to install or use and keep in a safe place.
- Your fire is guaranteed for three years from the date of purchase.
- A 2.4GHz network connection is required for the app.

 **IMPORTANT
SAVE THESE
INSTRUCTIONS**

CONTENTS

Important Instructions.....	4
UKCA & CE Declarations.....	7
ETL Declarations.....	8
Technical Specifications.....	9
Required Tools.....	10
What's In The Box.....	11
Before You Start.....	12
Flat Wall Installation.....	13
Rear Screen Options.....	17
Informational Requirements.....	19
Cleaning & Maintenance.....	20
Trouble Shooting.....	21
Wiring Diagram.....	23
FAQs.....	24
Suite Wiring Diagram.....	25
Parts List.....	26

IMPORTANT INSTRUCTIONS

IMPORTANT

REGISTRATION NO WEE/DH1656ZW

- In accordance with European Directive 2012/19/ EU, waste electrical and electronic equipment (WEEE) must not be disposed of with household waste.
- Please recycle responsibly.



DETAILS

- Read all the instructions before installing or using this heater.
- **WARNING:** In order to avoid overheating, do not cover the heater.
- For indoor use only.
- **DO NOT** use the fire in the vicinity of a bath, shower or swimming pool.
- **NEVER** use the fire to dry laundry.
- The heater must not be located immediately below a socket outlet.
- The use of an extension lead is **NOT** recommended.
- This appliance can be used by children aged from 8 years and above and persons with reduced physical, sensory or mental capabilities or lack of experience and knowledge if they have been given supervision or instruction concerning use of the appliance in a safe way and understand the hazards involved.
- Children shall **NOT** play with the appliance.

IMPORTANT INSTRUCTIONS

- Cleaning and user maintenance shall **NOT** be made by children without supervision.
- Children of less than 3 years should be kept away unless continuously supervised.
- Children aged from 3 years and less than 8 years shall only switch on/off the appliance provided that it has been placed or installed in its intended normal operating position and they have been given supervision or instruction concerning use of the appliance in a safe way and understand the hazards involved.
- Children aged from 3 years and less than 8 years shall not plug in, regulate and clean the appliance or perform user maintenance.
- Some parts of this product can become very hot and cause burns. Particular attention must be given where children and vulnerable people are present.
- The heater is hot when in use. To avoid burns, do not let bare skin touch hot surfaces. Keep combustible materials, such as furniture, pillows, bedding, paper, clothes, etc. and curtains at least 3 feet (0.9m) from the front of the heater and keep them away from the sides and rear (sides and rear restrictions apply to location dedicated heaters only).
- Extreme caution is necessary when any heater is used by or near children or invalids and whenever the heater is left operating and unattended.
- Do not operate any heater after it malfunctions. Disconnect power at service panel and have heater inspected by a reputable electrician before reusing.
- Do not use outdoors.
- To disconnect heater, turn controls to off and turn off power to heater circuit at min disconnect panel.
- Do not insert or allow foreign objects to enter any ventilation or exhaust opening as this may cause an electric shock or fire, or damage to the heater.
- To prevent a possible fire, do not block air intakes or exhaust in any manner.
- A heater has hot and arcing or sparking parts inside. Do not use it in areas where gasoline, paint, or flammable vapors or liquids are used or stored.
- Use this heater only as directed in this manual. Any other use not recommended by the manufacture may cause fire, electric shock, or injury to persons.

IMPORTANT INSTRUCTIONS



CAUTION

CAUTION
RISK OF ELECTRIC SHOCK
DO NOT OPEN
NO USER-SERVICEABLE PARTS INSIDE



- The heater must be properly installed before it is used.
- Caution should be applied to ensure that children **DO NOT** play with the fuel effects.
- As with any electrical appliance whilst the instructions aim to cover as many eventualities as possible, caution and common sense should be applied when operating your appliance, particularly in the vicinity of small children.
- **CAUTION:** The heater is fitted with an automatic cut out to prevent any damage due to overheating. The element will

continually and automatically cut out if the airflow is obstructed. Never cover the air outlets. To reset, switch the fire off, disconnect from the mains supply, remove the cause of the overheating. Allow to cool for a suitable period then switch the fire back on.

- **CAUTION:** In order to avoid a hazard due to inadvertent resetting of the thermal cut out, the appliance must not be supplied through an external switching device, such as a timer, or connected to a circuit regularly switched on and off by a utility.
- Save these instructions.

UKCA & CE DECLARATIONS

TRADE NAME	RATINGS	PRODUCT TYPE	MANUFACTURED BY
E-FX	220-240 Vac, 50Hz Class I	Electric Fire (fan heater)	Flamerite Fires LTD. Greenhough Road, Lichfield. Staffs. WS13 7AU. United Kingdom.
REQUIREMENTS:			
BS-EN 60335-2-30:2009 + A11:2012			
BS-EN 60335-1:2012 + A11:2014 + A13:2017 + A1:2019 + A14:2019 + A2:2019			
BS-EN 55014-1:2017		BS-EN IEC 6300 :2018	
BS-EN 55014-2:2015		BS-EN 301 489-1	
BS-EN61000-3-2:2014		BS-EN 300 489-3	
BS-EN 61000-3-3:2013		BS-EN 300 220	
BS-EN 50564:2011		BS-EN 60675:1995+A11:2019	

TRADE NAME	RATINGS	PRODUCT TYPE	MANUFACTURED BY
E-FX	220-240 Vac, 50Hz Class I	Electric Fire (fan heater)	Flamerite Fires LTD. Greenhough Road, Lichfield. Staffs. WS13 7AU. United Kingdom.
REQUIREMENTS:			
EN 60335-2-30:2009 + A11:2012			
EN 60335-1:2012 + A11:2014 + A13:2017 + A1:2019 + A14:2019 + A2:2019			
EN 55014-1:2017		EN IEC 6300 :2018	
EN 55014-2:2015		EN 301 489-1	
EN61000-3-2:2014		EN 300 489-3	
EN 61000-3-3:2013		EN 300 220	
EN 50564:2011		EN 60675:1995+A11:2019	

ETL DECLARATIONS

TRADE NAME	RATINGS	PRODUCT TYPE	MANUFACTURED BY
E-FX	120 Vac, 60Hz Class I	Electric Fire (fan heater) (5120 BTU)	Flamerite Fires LTD, Greenhough Road, Lichfield, Staffs. WS13 7AU, United Kingdom.
REQUIREMENTS:			
UL 2021 & CAN/CSA E60335-2-30			
CERTIFICATE NUMBER	5028692		
FFID	2AC7Z-ESP32WVROOM3		

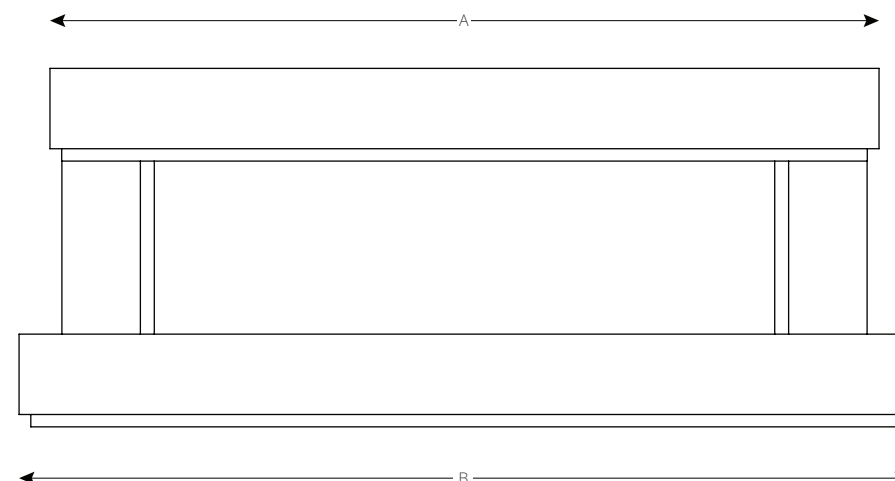
DETAILS

- A 240V 13A 50HZ or 120V 15A 60HZ supply is required.
- Maximum Power Consumption: 1500 Watts
- A 1.8 metre lead (6 ft) with plug is supplied with this appliance.
- There must be enough clearance for the fire to comfortably fit inside or against a wall.
- **DO NOT** squeeze into an opening as this may deform the case and stop the glass from moving correctly.
- The fire must be well supported in or on any structure. Never secure to just plaster board alone.
- A wall support or lintel should be fitted at the required height to ensure the appliance does not support the weight of the finished wall or chimney breast.

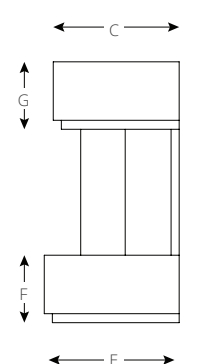
WARNING

DO NOT twist, force or squeeze the fire during the installation process.

TECHNICAL SPECIFICATIONS



FRONT VIEW



SIDE VIEW

DIMENSIONS	SUITE MODEL	
	MILAN 1200	LAZIO 1500
A	1100mm / 43 5/16"	1400mm / 55 1/8"
B	1200mm / 47 1/4"	1500mm / 59 1/16"
C	265mm / 10 7/16"	265mm / 10 7/16"
D	700mm / 27 9/16"	640mm / 25 3/16"
E	285mm / 11 1/4"	285mm / 11 1/4"
F	150mm / 5 7/8"	150mm / 5 7/8"
G	150mm / 5 7/8"	150mm / 5 7/8"
KG	50 KG / 110 lbs	65 KG / 143 lbs

REQUIRED TOOLS



HAMMER &
SCREWDRIVER



TAPE MEASURE



DRILL &
DRILL BITS



SPIRIT LEVEL



PENCIL

WHAT'S IN THE BOX...

01



E-FX FIRE

02



LOG SET

03



ACCESSORY &
HARDWARE PACK

04



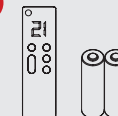
INSTRUCTIONS

05



POWER LEAD

06



REMOTE &
BATTERIES

07



FIXING PACK

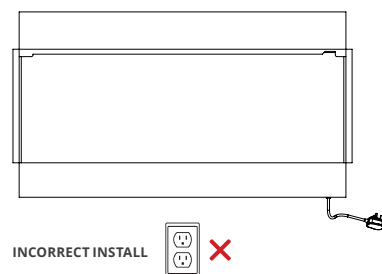
BEFORE YOU START...

PLUG SOCKETS

All fires must have an accessible plug. Do not fit a fire above a socket. Building regulations require the socket to be located at the side of the unit. It is preferable to fit the fire to a grounded outlet for safety. This ensures it has its own supply and will not overload current installations.

IMPORTANT

Please speak with a qualified expert before undertaking any work, and if required, ask them to carry out the installation for you.

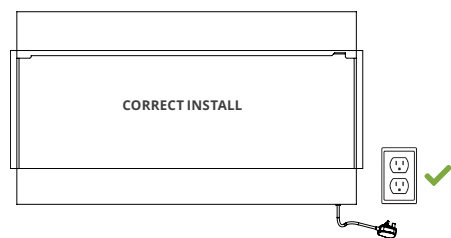


WALL FIXINGS

If fixing the fire to a wall, please ensure suitable fixings are used for the material the fire is being fixed to.

Often the wall is not completely flat and the floor uneven. When hanging the fire be sure to take this into account to ensure a good solid fit that supports the fire safely.

Your retailer may offer a fitting service, or alternatively you can find a builder to fit the fire for you.



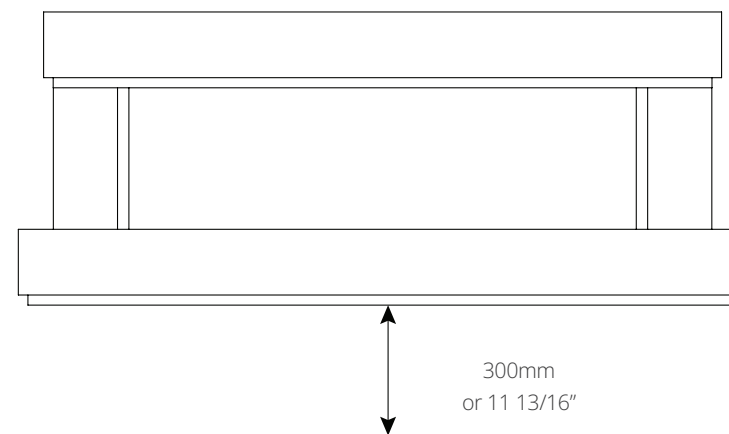
FLAT WALL INSTALLATION

FITTING YOUR E-FX FIRE ONTO A WALL OR INTO A STRUCTURE...

If purchased as a fire only or as a standard wall mount suite, the height at which you may wish to fix the fire in, or on the wall, is up to you. Be sure to take account of local building regulations, and if not sure, always consult a professional.

01

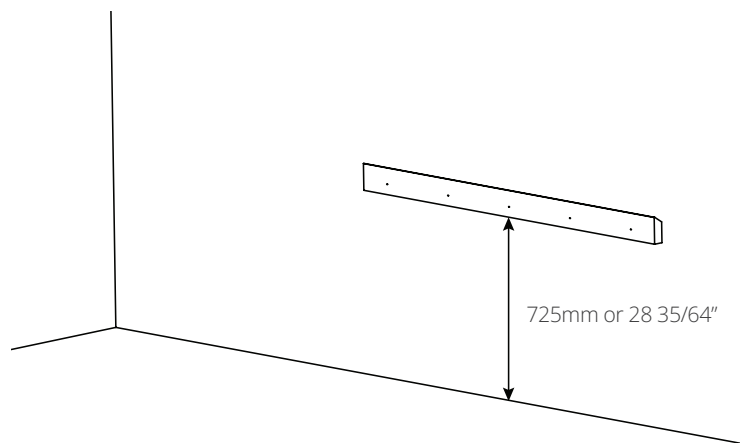
The height at which you fit the fire is up to you, however we recommend fitting it around 300mm or 11 & 13/16" inches from the floor to the bottom of the suite.



FLAT WALL INSTALLATION

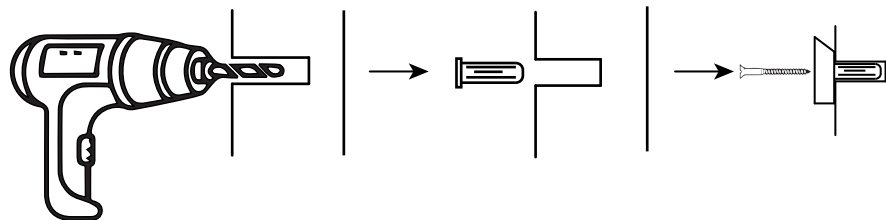
02

Start by marking a line on the wall 725mm or 28 35/64" from the floor and use a level to draw a straight line on the wall. This is where the bottom of the wall bracket will be fitted.



03

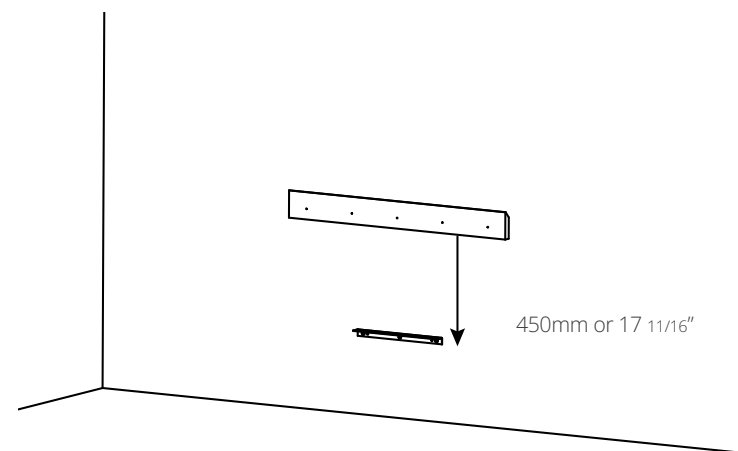
Using suitable fixings, fix the wall bracket into position, making sure all the fixings are tight and secure.



FLAT WALL INSTALLATION

04

Now the top bracket is fitted, mark a line 450mm or 17 11/16" below the **bottom** of the wall bracket. This will be where the **bottom** of the bottom support bracket goes. The support bracket can be found with the accessory pack. Fix this to the wall in the same way as the wall bracket.



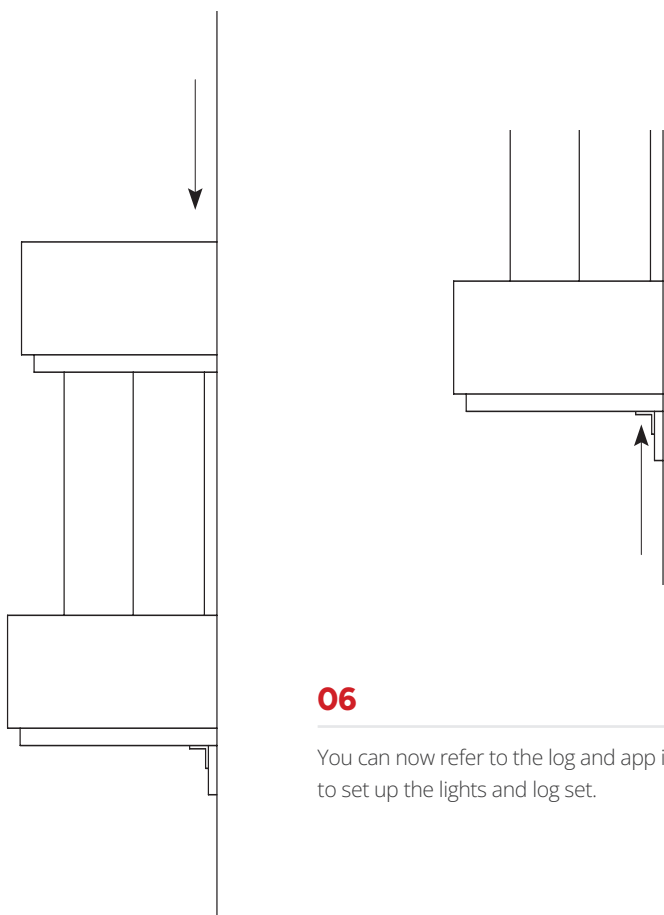
IMPORTANT

The fireplace **MUST** be supported by the bottom bracket. Make sure this is fitted before you fix the fire to the wall to prevent injury or damage to the wall and/or fireplace.

FLAT WALL INSTALLATION

05

Lift the fire onto the brackets to finish the installations. Make sure that any power cables are tucked out the way. Use a screw to secure the woodwork to the bottom bracket. This will prevent the unit from being lifted off the wall and help support the weight of the fire.



06

You can now refer to the log and app instructions to set up the lights and log set.

REAR SCREEN OPTIONS

STANDARD E-FX

As standard one of the two rear screens in the E-FX fire has a reflective coating to mirror the log effect. When the fire is on, the flame simulates a 3 dimensional burn between the actual log effect and the reflection generated by the coating. If your preference is non-reflective, the glass with the reflective coating can be removed leaving only the projection screen in place.

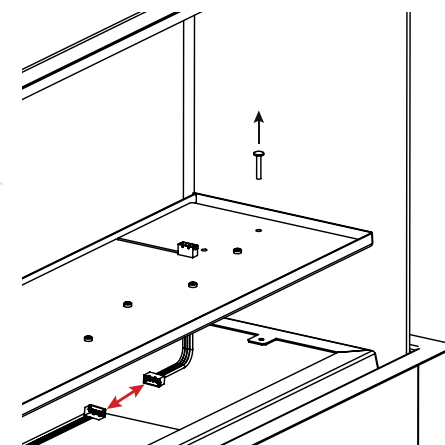
WARNING

Before any maintenance is undertaken, always disconnect the fire from the mains power supply.

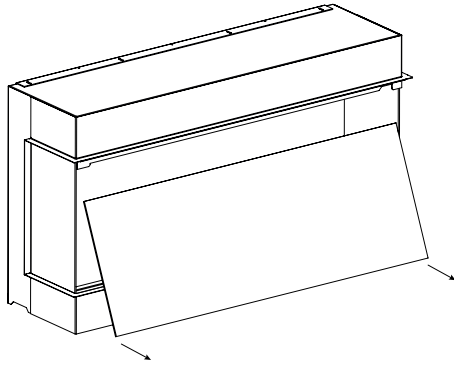
NON REFLECTIVE SCREEN OPTION

01

To remove the reflective rear glass, remove the fuel bed by removing the two screws at either side of the fuel bed. Gently lift the right side, you will need to disconnect a cable from the fuel bed to the circuit board below the connector marked "A" on the top of the fuel bed. Once this is done, you may now carefully remove the fuel bed.



REAR SCREEN OPTION



02

Now remove the rear glass, leaving the projection screen in place.

You can then reconnect the fuel bed and screw it back into place.

INFORMATIONAL REQUIREMENTS

E-FX SL

E-FX SL: INFORMATIONAL REQUIREMENTS FOR ELECTRIC LOCAL SPACE HEATERS						
MODEL		SL600 - 24"	SL750 S - 30"	SL750T - 30"	SL1000 - 40"	
Item @ 120V 60Hz / 240V 50Hz	Symbol	Value	Value	Value	Value	Unit
HEAT OUTPUT						
Nominal Heat Output	Pnon	1.5	1.5	1.5	1.5	kW
Minimum Heat Output (Indicative)	Pmin	0.75	0.75	0.75	0.75	kW
Maximum Continuous Heat Output	PMax,c	1.5	1.5	1.5	1.5	kW
AUXILIARY ELECTRICITY CONSUMPTION						
At Normal Heat	elmax	0.0151	0.0253	0.0253	0.0279	kW
At Minimum Heat	elmin	0.0151	0.0253	0.0253	0.0279	kW
In Standby Mode	elSB	0.0005	0.0005	0.0005	0.0005	kW

With distance control: Yes
 Room temperature control with open window detection: Yes
 Adaptive start with electronic room temperature control puls week timer: Yes

MAINTENANCE

WARNING!

Before any wiring work is undertaken, make sure the power for the socket has been turned off at the fuse box and check that the power is off.

Make sure the unit is disconnected from any power source. Ensure proper safety precautions are taken before attempting any work.

Maintenance **MUST** be undertaken by a qualified engineer.

Please contact your local retailer where you purchased the fire from.



- To clean your fire, make sure the power is off at the circuit breaker and the heater is cool before cleaning.
- Wipe with a clean dry cloth that is free from lint and dust. Do not use cleaning chemicals or abrasives.
- Make sure the heater is free from any dust by wiping the surface with a clean dry cloth. This should be done weekly at a minimum.
- All other servicing should be performed by a qualified service personnel.

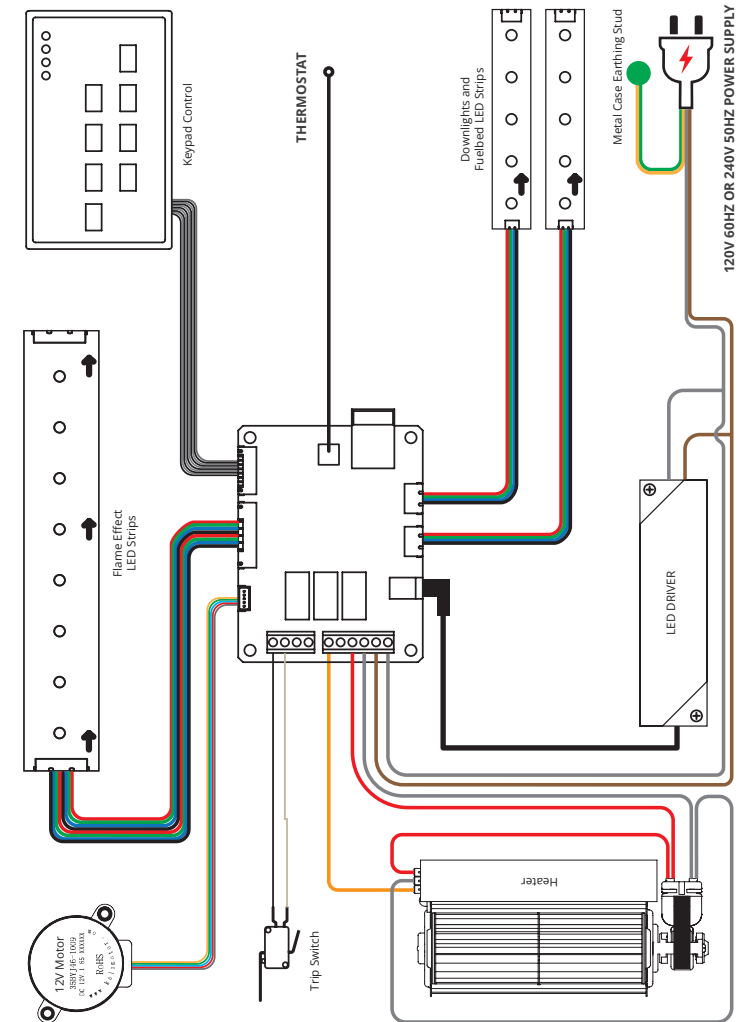
TROUBLE SHOOTING

PROBLEM	CAUSE	SOLUTION
NO POWER TO FIRE	Mains lead not plugged in	Check lead is plugged in securely and p-clipped in place
	Circuit board	Replacement part required
	Mains socket	Check socket is switched on
NO LIGHTING OR ILLUMINATION	Dimmer turned down	Use remote or app to adjust the dimmer settings
	Led failure	Replacement part required
LED FLICKERING	Led cable connections	Ensure all connections are secure and fully in place
	Damaged cable	Replacement part required
	Faulty led	Replacement part required
FLAME ILLUMINATED WITHOUT MOVEMENT	Spindle	Check spindle is securely attached to the motor
	Motor	New Motor maybe required
LOGS NOT FULLY ILLUMINATED ACROSS THE FIRE	Log wiring & connectors	Remove glass; check each log is tightly connected together
	Log led	Replacement log maybe required
	Fuel bed led	Replacement part required
HEATER BLOWING COLD AIR	The safety cut out may have operated	Check for obstruction around the heater. If continually a problem and fitted into a cavity wall or chimney breast, check with installer that the opening has been 100% fully sealed from drawn air and draft
HEATER NOT COMING ON AT ALL	Trip switch not engaged	Check that the glass is pushed fully back. An audible click lets you know it is engaged
	Thermostat is set to low	Use the remote or app or keypad to increase the temperature
HEAT TURNS OFF QUICKLY AFTER TURNING ON	Thermostat is set to low	Use the remote or app or keypad to increase the temperature
FRONT GLASS WILL NOT FIT	Debris is front channel	Remove any obstructions and fit

TROUBLE SHOOTING

PROBLEM	CAUSE	SOLUTION
REMOTE CONTROL NON RESPONSIVE	Lost rf connection to fire	Turn fire off & on using the rocker switch next to keypad and repair the remote. See App instructions.
	Batteries	Replace with 2 x AAA
FRONT GLASS WILL NOT GLIDE FREELY	Debris from fuel bed in channel	Remove debris
	Fitted incorrectly	Refer to Installation Instructions
GLOWING LOGS NOT WORKING	Poor connection	Check all connections are secure
	Damaged cable	Replacement part required
	Led faulty	Replace faulty log(s)
RHYTHMIC TICKING	Cable loose	Make sure all flame effect LED's are tied back to the LED bar and out the way of the spindle.
CAN NOT PAIR FIRE	Space after email	Remove space from email
	Wrong wi-fi password	Check password
	No 2.4ghz network available	Check 2.4GHz internet connection

FIRE WIRING DIAGRAM



FAQS

01

Q How do I pair and work my down lights?

A Please refer to the Cloud eControl App Instruction manual. Alternatively there is a switch located under the top right of the suite.

02

Q Why are my down lights not working?

A Make sure the switch inside the suite is turned on and the plugs are seated properly.

03

Q How do I fit the plinth?

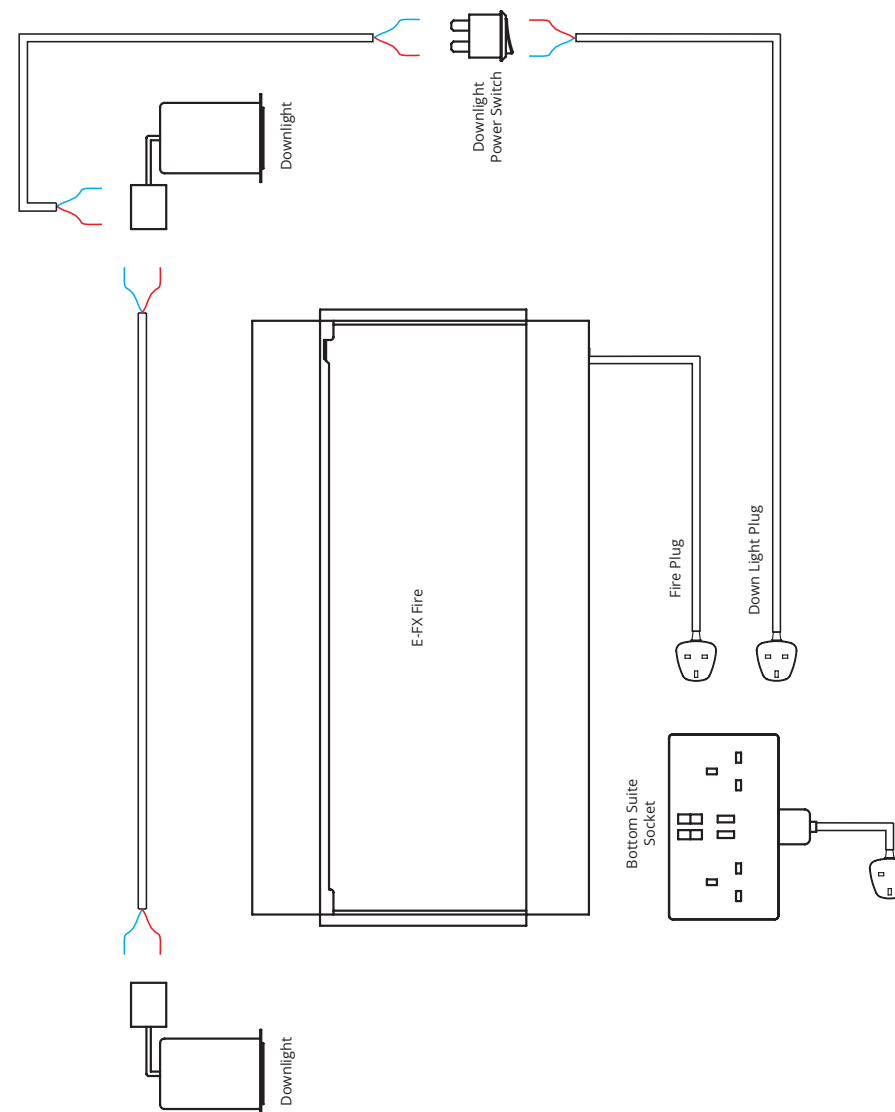
A The plinth simply slides under the unit. Make sure you plug any LED lighting kits in before fitting the bottom of the suite. Check the Fire Installation Instructions for the correct height to install the fire for use with a plinth suite.

04

Q What height should my fire be at to install the suite?

A Check the Fire Installation Instructions for the correct height to install the fire for use with the type of suite you have.

SUITE WIRING DIAGRAM

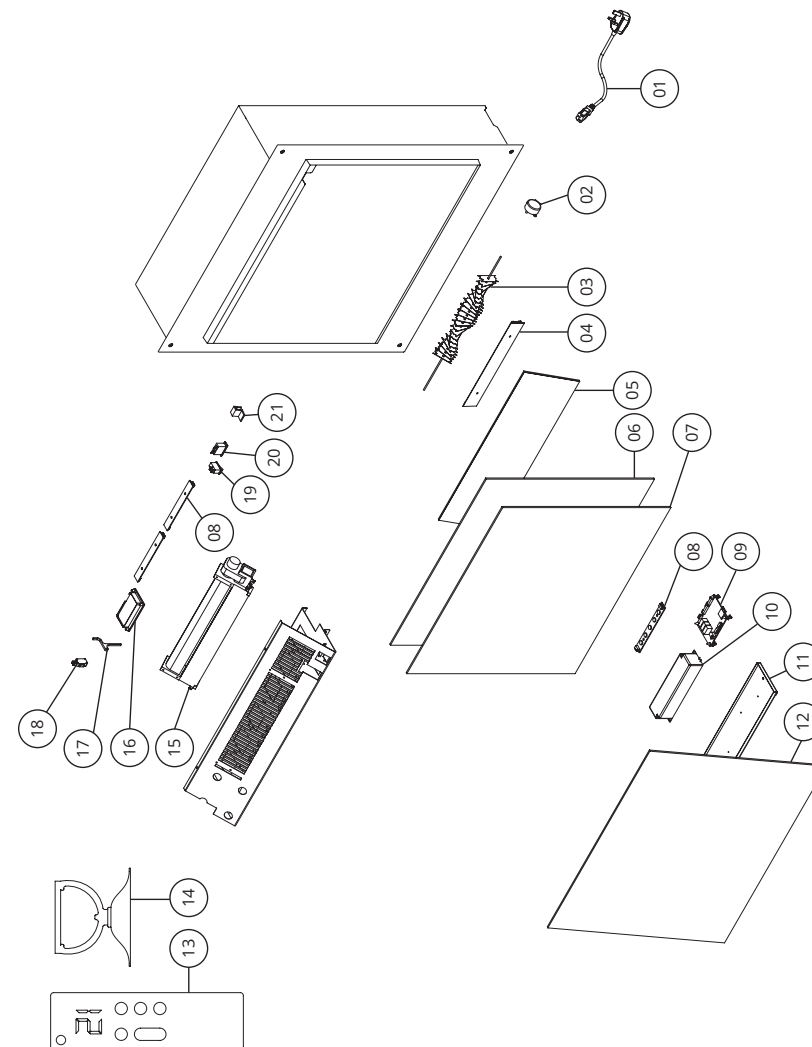


PARTS LIST

PART NUMBER	PART NAME	E-FX			
		SL600-24"	SL750S-30"	SL750T-30"	SL1000-40"
1	Power Lead	E90-2	E90-2	E90-2	E90-2
2	Motor	E99	E99	E99	E99
3	Spindle	M134	M135	M135	M136
4	280mm LED	E76	E76	E76	E76
5	Patent Glass	G45	G47	G47	G8
6	Rear Screen	FE225	FE226	FE227	FE228
7	Rear Glass	G46	G48	G49	G50
8	150mm LED	E3	E3	E3	E3
9	PCB Board	E50	E50	E50	E50
10	LED Driver	E42	E42	E42	E42
11	Fuel Bed Tray	FE219	FE221	FE221	FE223
12	Front Glass	G46*	G48*	G49*	G50*
13	Remote	E47-2	E47-2	E47-2	E47-2
14	Glass Sucker	C112	C112	C112	C112
15	Heater	E105	E105	E105	E105
16	Keypad	E50	E50	E50	E50
17	Trip Arm	C110	C110	C110	C110
18	Trip Switch	E102*	E102*	E102*	E102*
19	Power Switch	E77	E77	E77	E77
20	Fuse Holder	E27*	E27*	E27*	E27*
21	Glass Handle	C54*	C54*	C54*	C54*

*Please note the Milan and Lazio do not come with these items

PARTS LIST





www.flameritefires.com/efx

Flamerite Fires Ltd, Greenhough Road, Lichfield, Staffordshire WS13 7AU

Tel: +441543 251122 | **Fax:** +441543 251133 | **Email:** info@flameritefires.com

These products are only suitable for well insulated spaces or occasional use.

Manufactured in the United Kingdom. All products are protected by patents, registered design and intellectual property rights. Flamerite Fires Ltd. will protect these rights.

All specifications are correct at the time of publishing but are subject to change.



ELECTRIC FIRES MADE IN EUROPE