

OPTIC 50 ELECTRIC FIREPLACE



European Home

Manufacturer and Importer of high-end Gas, Wood and Electric Fireplaces



SUSTAINABLE HEARTH™
STYLE MEETS SUSTAINABILITY

High-End Affordability



SPECIFICATIONS

FLAME EFFECT	Powered by Electricity
POWER SUPPLY	15 Amp, 120 Volt Circuit
WEIGHT	98 lbs.
VIEWABLE OPENING	43 5/8" W x 12" H
FRAME	50" W x 18 3/8" H
HEAT OUTPUT	1,500W (5,115 BTU/hr)
VENTING	N/A
REMOTE CONTROL	Yes
CERTIFICATION	UL Approved

PRODUCT OPTIONS & ACCESSORIES

FIREPLACE FEATURES

- Designed and developed by European Home
- Realistic Flame Effects
- Flame Height and Speed Adjustment
- Preset Flame Options
- Remote Control
- Built-in Heater
- UL Listed
- Savings of 24% to 60%

ALL E SERIES ELECTRIC FIREPLACES SHIP AS A 3-SIDED MODEL WITH THAT CAN EASILY TRANSFORM IT INTO A CORNER STYLE OR SINGLE-SIDED UNIT.

FIREPLACE MODEL

PRODUCT	ITEM CODE
OPTIC 50	SH-FP-OPT-50

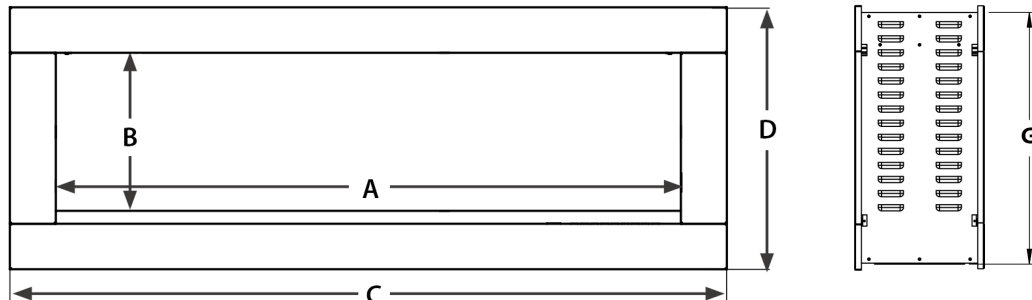
FIRE MEDIA



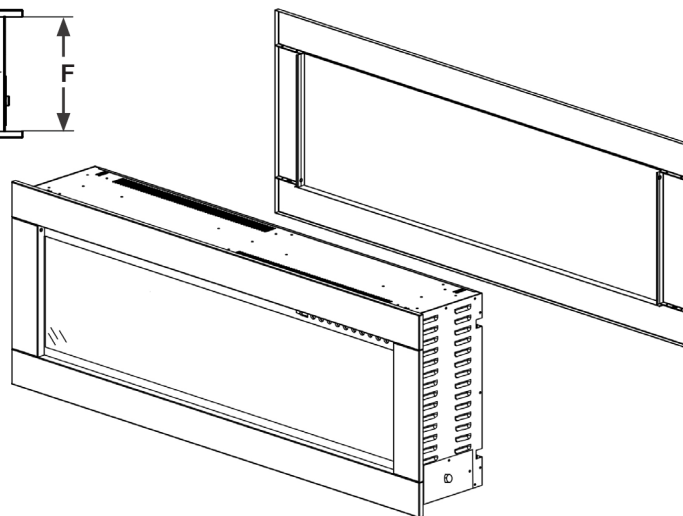
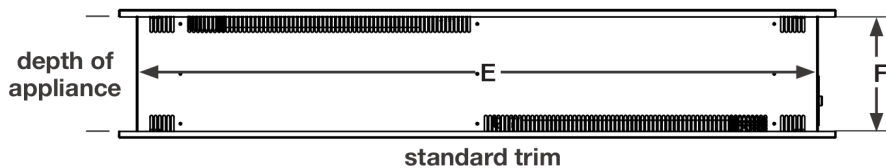
WOODLAND LOGS

CUT SHEET

FRONT VIEW



TOP VIEW



	A	B	C	D	E	F	G
INCH	43 5/8"	12"	50"	18 3/8"	47 9/16"	8 1/16"	17 5/8"
[MILLIMETER]	[1108]	[305]	[1270]	[467]	[1208]	[205]	[448]

	Weight
POUNDS	98
[KILOGRAMS]	[44.5]

Description	See-Through Electric Appliance
Type	Electric Appliance
Voltage	120V AC
Watts	MAX 1500W
Amps	Dedicated 15 Amp Grounded Circuit