

# SIGNAL 60 ELECTRIC FIREPLACE



European Home

Manufacturer and Importer of high-end Gas, Wood and Electric Fireplaces



SUSTAINABLE HEARTH™  
STYLE MEETS SUSTAINABILITY

High-End Affordability



## SPECIFICATIONS

<b>FLAME EFFECT</b>	Powered by Electricity
<b>POWER SUPPLY</b>	15 Amp, 120 Volt Circuit
<b>WEIGHT</b>	96 lbs.
<b>VIEWABLE OPENING</b>	59 3/4" W x 12" H
<b>HEAT OUTPUT</b>	1,500W (5,115 BTU/hr)
<b>CONFIGURATIONS</b>	3-Sided Corner Style Single-Sided
<b>VENTING</b>	N/A
<b>REMOTE CONTROL</b>	Yes
<b>CERTIFICATION</b>	UL STD. 2021

# PRODUCT OPTIONS & ACCESSORIES

## FIREPLACE FEATURES

- Designed and developed by European Home
- Realistic Flame Effects
- Flame Height and Speed Adjustment
- Preset Flame Options
- Remote Control
- Built-in Heater
- UL Listed
- Savings of 24% to 60%

ALL E SERIES ELECTRIC FIREPLACES SHIP AS A 3-SIDED MODEL WITH THAT CAN EASILY TRANSFORM IT INTO A CORNER STYLE OR SINGLE-SIDED UNIT.

## FIREPLACE MODEL

PRODUCT	ITEM CODE
SIGNAL 60	SH-FP-SIG-60

## FIRE MEDIA



WOODLAND (STANDARD)



CARRARA PEBBLES



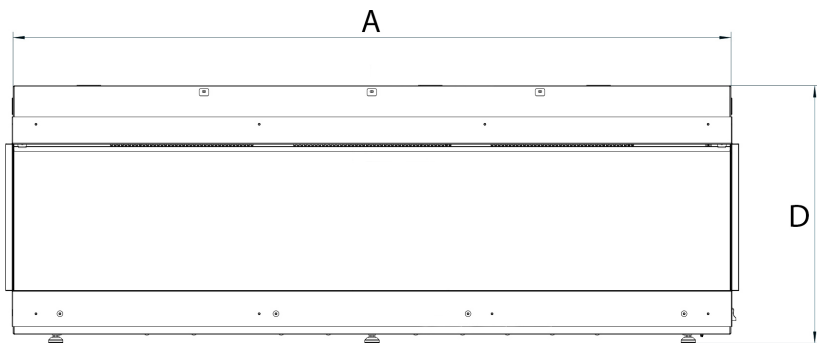
FALLEN BIRCH



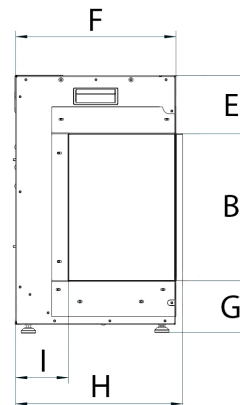
SEASHORE

PRODUCT	ITEM CODE
WOODLAND (STANDARD)	SH-FM-LOG-SIG-60
CARRARA PEBBLES	SH-FM-WHTP-Signal-60
FALLEN BIRCH	SH-FM-FB-Signal-60
SEASHORE	SH-FM-SS-Signal-60

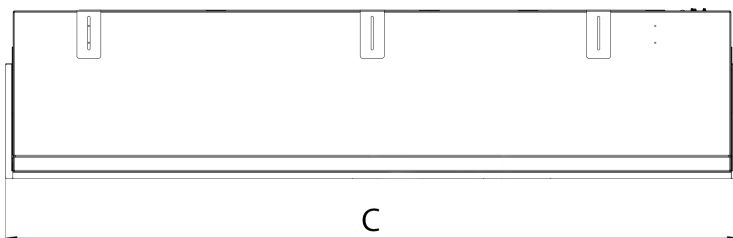
# CUT SHEET



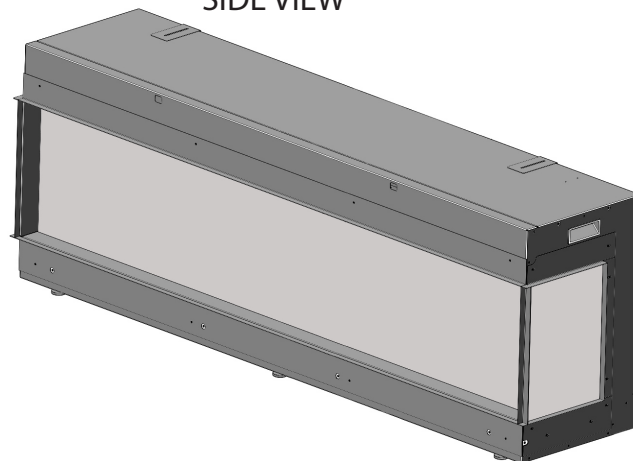
FRONT VIEW



SIDE VIEW



TOP VIEW



	A	B	C	D	E	F	G	H	I
<b>INCH</b>	59 ¾"	12"	60 ¼"	21"	4 ¾"	13 ¼"	4 ¼"	13 ¾"	4 ⅜"
<b>[MILLIMETER]</b>	[1496]	[305]	[1527]	[534]	[120]	[334]	[107]	[348]	[110]

	Weight
<b>POUNDS</b>	96
<b>[KILOGRAMS]</b>	[43.5]

<b>Type</b>	Electric Appliance
<b>Voltage</b>	120V AC
<b>Watts</b>	MAX 1500W
<b>Amps</b>	15 amps

This appliance has been tested in accordance with the UL/CSA Standards for fixed and location dedicated electric room appliances in the United States and Canada, If you need assistance during installation, please contact your local dealer.

RFA files are available by clicking [HERE](#) or



# SIGNAL 60 ELECTRIC FIREPLACE

